



Brand of NTN Group

Technical data

UCF202-10

Bearing units

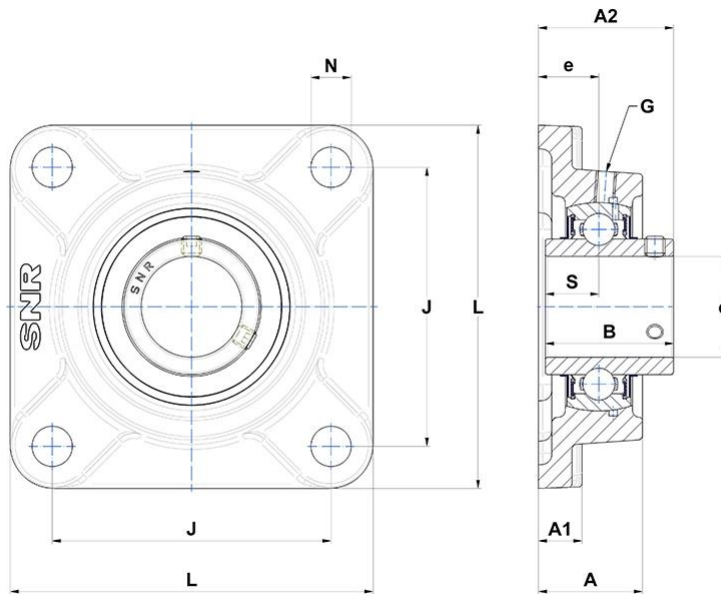


Grey cast housing, radial insert ball bearing with socket set screws, seal with slinger

KIT CONTENT

UC202-10G2, F204

VISUAL (S)



PRODUCT DEFINITION

Brand	SNR
A - Housing height	25,5 mm
A1 - Housing foot height / flange height	11 mm
A2 - Total height from mounting surface	33,3 mm
B - Width of Inner Ring	31 mm
d - Shaft diameter	15,875 mm



NTN Europe

1 rue des Usines · BP 2017 · 74010 Annecy Cedex · France · Tel. +33 (0)4 50 65 30 00
 S.A. au capital de 322 639 919 € · RCS ANNECY B 325 821 072 · Id. Fiscale : FR 48 325 821 072
 SIRET 325 821 072 00015 · Code APE 2815 Z · Code NACE 28.15

PRODUCT DEFINITION

e - Distance mounting surface to bearing center	15 mm
G - Grease fitting	M6x1
J - Mounting holes distance	64 mm
L - Housing width / diameter	86 mm
N - Mounting hole dimension	12 mm
S - Distance front side/bearing centre	12,7 mm

PRODUCT PERFORMANCE

C - Dynamic load rating	12800000 mN
C0 - Static load rating	6650000 mN
Operating temperature min.	253,15 °K
Operating temperature max.	373,15 °K

OTHER FEATURES

Mass	0,62 kg
Recommended tightening torque for set screw	3.7 N-m

