



ENGLISH

RSMA

Rugged Aluminum NEMA 1 / IP50 Enclosure

Stock No. 136-3113

Primary Features

Horsepower 1/8 to 1 HP, Jumper Selectable
115/230 VAC - 1ph Input
Output 230 VAC - 3ph
Starting Torque 200%
Front Panel Power On/Off Switch
Class "A" (CE) RFI Filter

GFCI Compatible

Allows equipment to operate with Ground Fault Circuit Interruption circuit breakers or outlets.
(Factory programming required.)

Benefits

Saves Time

Easy to Install and Simple to Operate.
Does not require commissioning.
Up and running in less than 10 minutes.

Motors Last Longer

Proprietary CL Software
Provides overload protection, prevents motor burnout and eliminates nuisance tripping. UL approved as electronic overload protector for motors.

Energy Saving

*Uses only the power the application requires.
Replacing constant speed with variable speed will significantly reduce energy costs.*

Customization for OEM's

When an off the shelf drive does not meet your needs, we will work with you to provide a custom drive solution, Ready to Use, "Out-of-the-Box."
Customization includes: Pre-calibrating or programming of a stock control, adding a custom label or branding, custom software, PLC functions or designing a new control.





Additional Features

Sensorless Flux Vector Control

Flux Vector Compensation with Static Auto-Tune provides excellent speed regulation with high torque loads throughout the entire speed range. Auto energy saving at light loads. Smooth motor torque.

Electronic Inrush Current Limit (EICL™) Protection

Eliminates harmful inrush AC line current during power up.

Run/Fault Relay

Can be used to turn equipment on or off, to signal a warning if the drive is put into “Stop” mode, or to signal if a fault has occurred.

On/Off AC Line Switch

Disconnects the AC line.

Ride-Through

Provides smooth recovery to the previous set speed during a momentary power loss.

Holding Torque at Zero Speed

Resists motor shaft rotation when the drive is in “Stop” mode.

Regeneration Protection

Eliminates tripping due to high bus voltage caused by rapid deceleration of high inertial loads.

Undervoltage and Overvoltage Protection

Shuts down the drive if the AC line input voltage goes above or below the operating range.

Short Circuit Protection

Shuts down the drive if a short circuit occurs at the motor (phase-to-phase).

Trimpot Adjustments

Min. Speed, Max. Speed, Accel, Decel, Current Limit, Slip Comp.

Jumper Selections

AC Line Input Voltage, Horsepower, Auto/Manual Start, 50Hz/60Hz Motor Frequency, 1X/2X Motor RPM, Run/Fault Output Relay.

Drive Options

Forward-Stop-Reverse Switch

Provides motor reversing and stop functions.



Applications

- Actuators • Air Cleaners • Amusement Rides
- Ball Pitching Machines • Blowers • Boat Lifts
- Bowling Alley Lane Cleaners • CNC • Conveyors
- Door and Gate Openers • Drilling • Duct Cleaners
- Dumbwaiters • Elevators and Hoists
- Exercise Equipment • Fabric Processing • Fans
- Feeders • Film Processing • Floor Cleaning
- Food Processing • Garment Cutting
- Grinding and Polishing • Hoppers • Horse Walkers
- HVAC • Indexers • Irrigation • Laminating
- Lift Station Pumps • Machine Tools
- Medical • Milling • Mixers • Oven Conveyors
- Packaging • Paint Blenders, Shakers, and Sprayers
- Paper Handling • Portable Equipment Used with GFCIs
- Pottery Wheels • Printing
- Pumps • Range Hoods • Sandblasting • Saws
- Sewing • Stretch Wrap • Textile • Treadmills
- Therapeutic Vibrators • Washing Machines
- Wave Soldering • Web Processing • Wheelchair Lifts
- Whole House Vacuums and Attic Fans
- Wire Feeders • Wood and Metal Lathes and Cutters
- Winders and Unwinders



Ratings

115/230 VAC 1-Phase Input • 230 VAC 3-Phase Output

Stock No.	Model No.	Ratings		Net Weight	
		HP, (kW)	Amps	Lbs.	kg
136-3113	RSMA24DF*	1, (0.75)	3.6	2.48	1.12

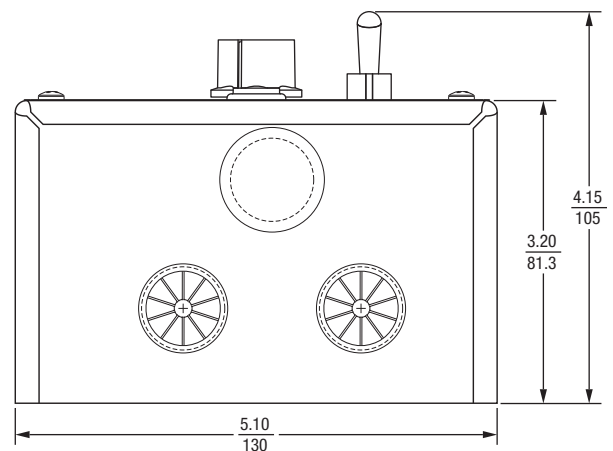
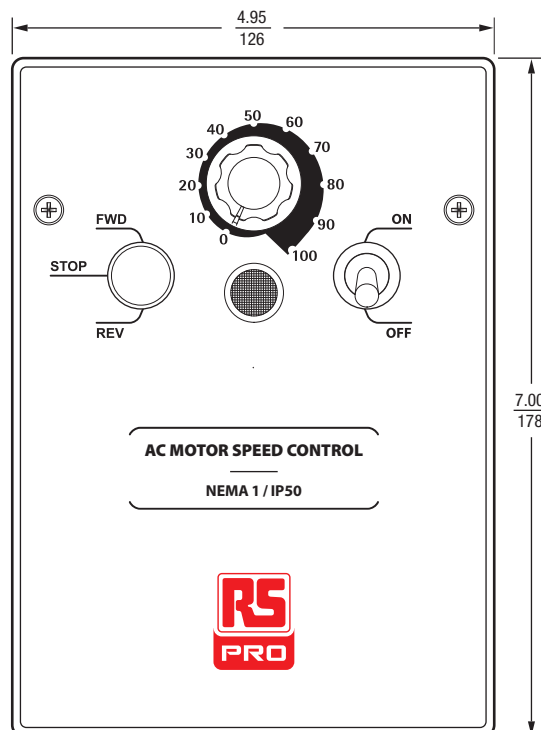
*"F" Suffix for Built-In Class "A" (CE) RFI (EMI) AC Line Filter.

Specifications

Maximum Load (% of Current Overload for 2 Minutes)	150
Carrier, Switching Frequency (kHz)	16, 8
Output Frequency Resolution (Hz)	0.06
Minimum Output Frequency to Motor (Hz)	0.3
Acceleration Time (Seconds)	0.3 – 20
Deceleration Time (Seconds)	0.3 – 20
Speed Range (Ratio)	60:1
Speed Regulation (30:1 Speed Range, 0 – Full Load) (% Base Speed)	2.5
Stalled Motor Trip Time (Seconds)	6
Braking	Regenerative*
Operating Temperature Range (°C / °F)	0 – 40 / 32 – 104
Storage Temperature (°C / °F)	-25 – +85 / -13 – +185

*DC Injection Braking available – requires factory programming.

Dimensions – (Inches/mm)



General Connection Diagram

