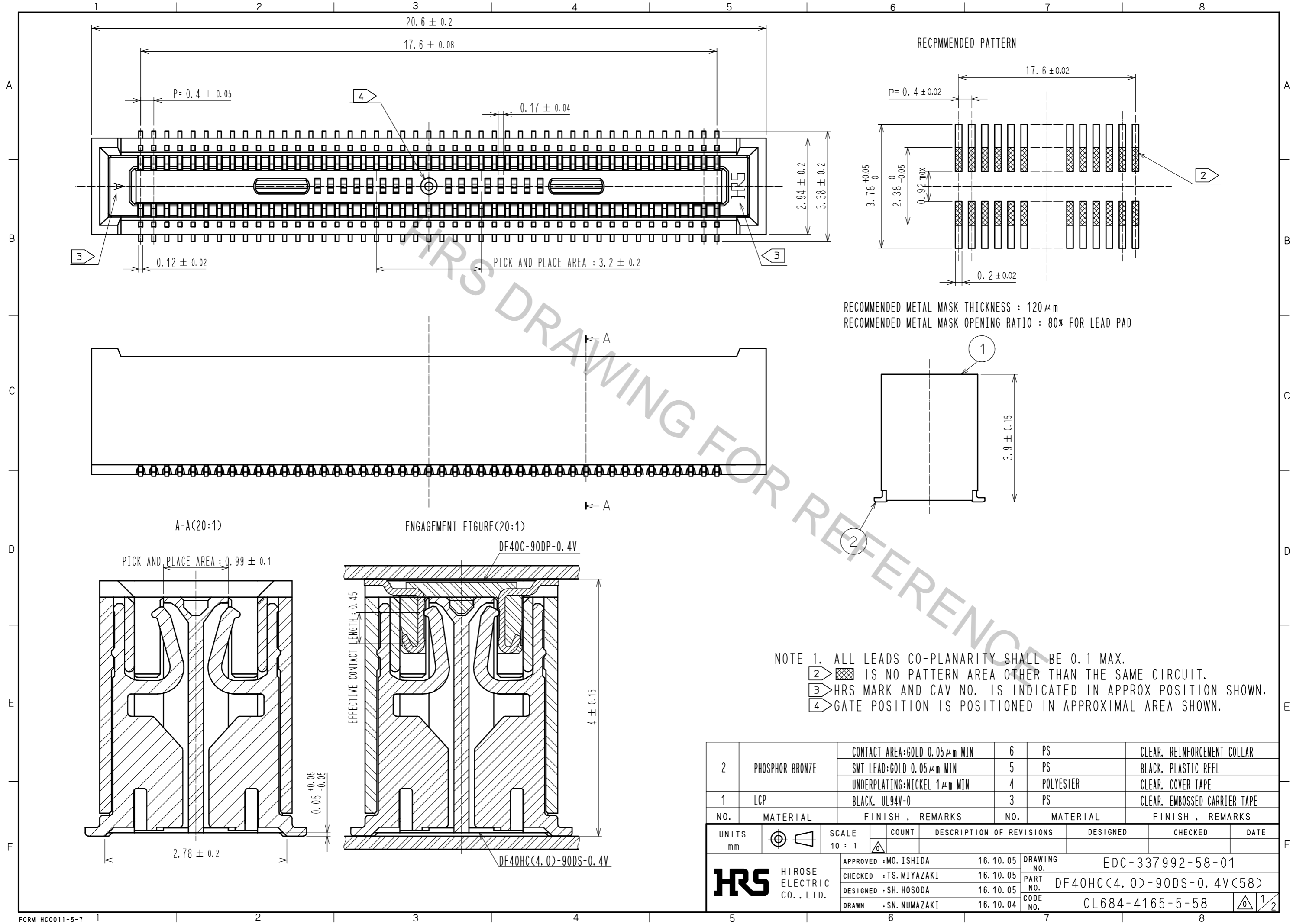


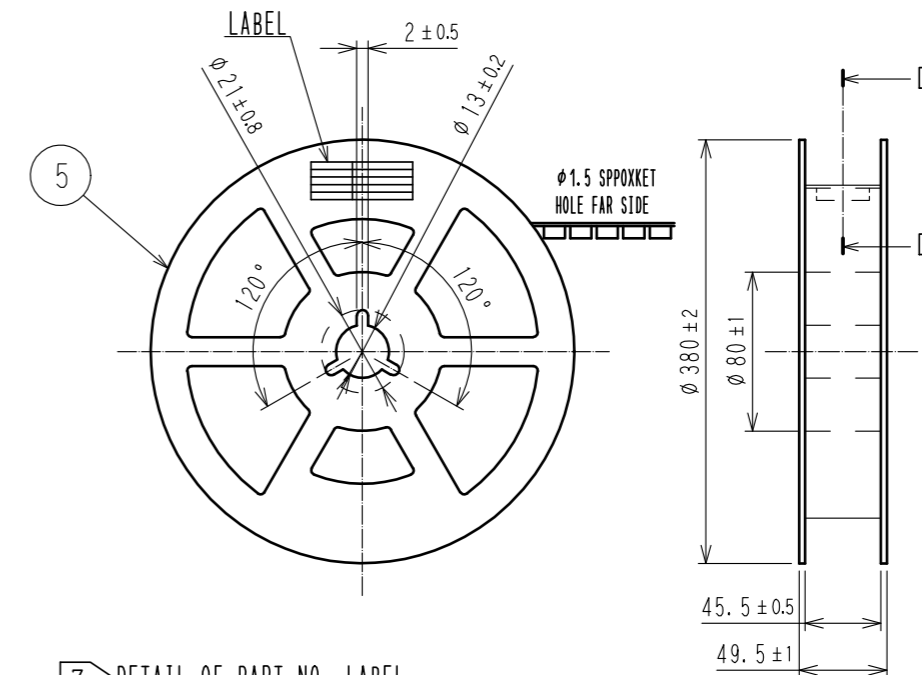
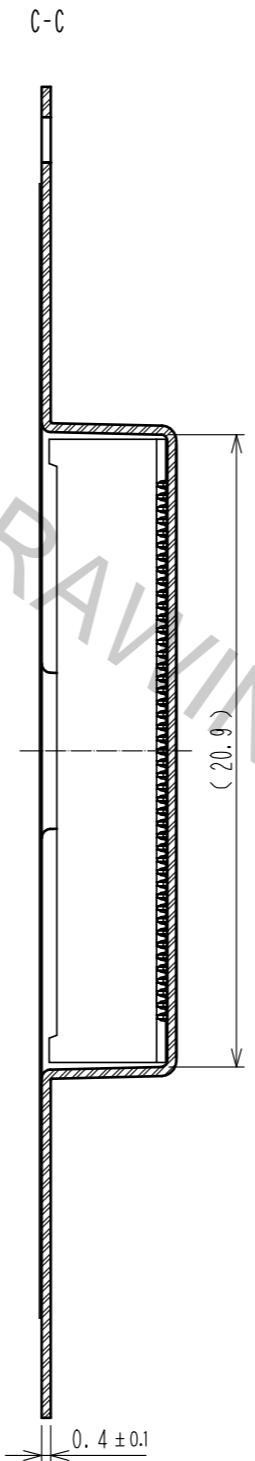
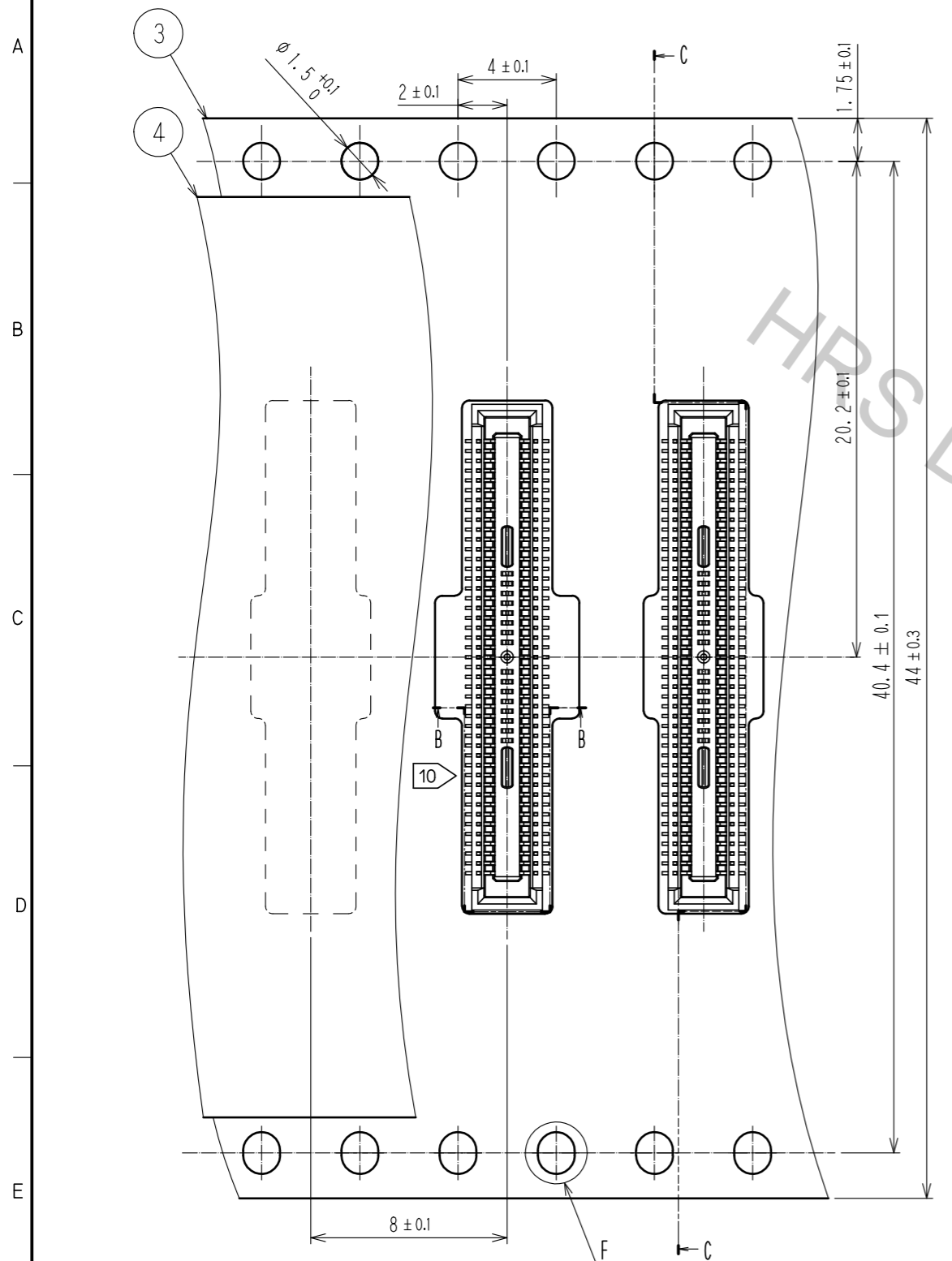
May.1.2017 Copyright 2017 HIROSE ELECTRIC CO., LTD. All Rights Reserved.



2	PHOSPHOR BRONZE	CONTACT AREA:GOLD $0.05 \mu\text{m}$ MIN	6	PS	CLEAR, REINFORCEMENT COLLAR		
		SMT LEAD:GOLD $0.05 \mu\text{m}$ MIN	5	PS	BLACK, PLASTIC REEL		
		UNDERPLATING:NICKEL $1 \mu\text{m}$ MIN	4	POLYESTER	CLEAR, COVER TAPE		
1	LCP	BLACK, UL94V-0	3	PS	CLEAR, EMBOSSED CARRIER TAPE		
NO.	MATERIAL	FINISH . REMARKS	NO.	MATERIAL	FINISH . REMARKS		
UNITS		SCALE	COUNT	DESCRIPTION OF REVISIONS	DESIGNED	CHECKED	DATE
mm		10 : 1					
APPROVED : MO. ISHIDA		16.10.05	DRAWING NO. EDC-337992-58-01				
CHECKED : TS. MIYAZAKI		16.10.05	PART NO. DF40HC(4.0)-90DS-0.4V(58)				
DESIGNED : SH. HOSODA		16.10.05	CODE NO. CL684-4165-5-58				
DRAWN : SN. NUMAZAKI		16.10.04	1/2				

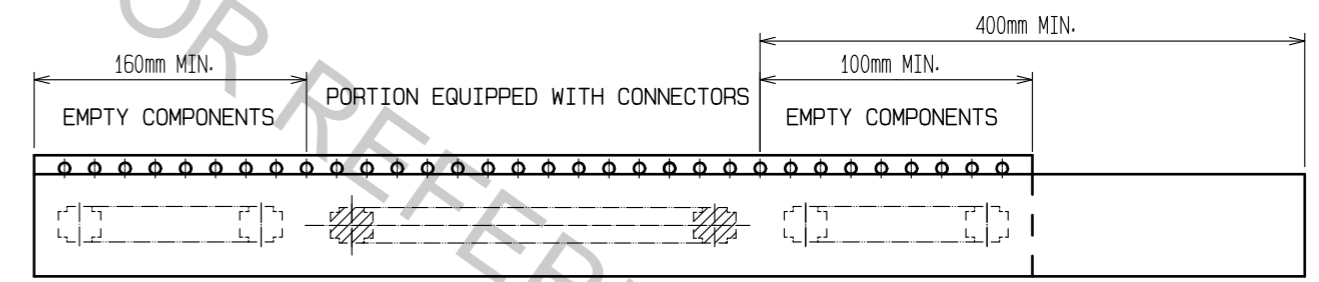
SCALE (5:1)

STYLE AND DIMENSION OF REEL (FREE SIZE)

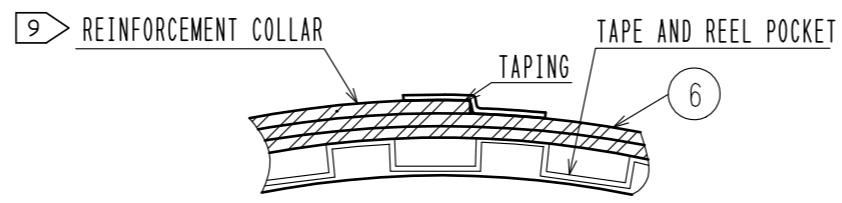


7) DETAIL OF PART NO. LABEL

製造年月日	** ** *
製品コード	CL684-4165-5-51
製品名	DF40HC(4.0)-90DS-0.4V(51)
数量	2000
納入者	ヒロセ電機(株)



- 6) TAPING
- NOTES)
- PER REEL 2000 CONNECTORS.
 - THE DIMENSIONS IN PARENTHESES ARE FOR REFERENCE.
 - REFER TO JIS C 0806(PACKING OF COMPONENTS FOR AUTOMATIC HANDLING)
 - DETAIL OF PART NO. LABEL IS WRITTEN IN JAPANESE.
- PRODUCTION DATE:
 PRODUCT CODE: CL684-4165-5-51
 PART NUMBER: DF40HC(4.0)-90DS-0.4V(51)
 NUMBER OF PIECES: 2000 PIECES
 SUPPLIER NAME: HIROSE ELECTRIC CO., LTD.
- THE POCKET SHAPE IS DIFFERENT AT INTERVALS OF FOUR POKES TO AVOID OVERLAP.
 - AFTER PACKAGING, ROLL 2 METERS OF THE REINFORCEMENT COLLAR TO OUTER CIRCUMFERENCE OF TAPE AND REEL POCKET, AND TAPE DOWN AT THE END THE COLLAR.
 - ONE OF SEVERAL IS DIFFERENT IN FORM OF THE EMBOSSED CARRIER TAPE.



HRS	DRAWING NO.	EDC-337992-58-01
	PART NO.	DF40HC(4.0)-90DS-0.4V(58)
	CODE NO.	CL684-4165-5-58
		\triangle 2/2