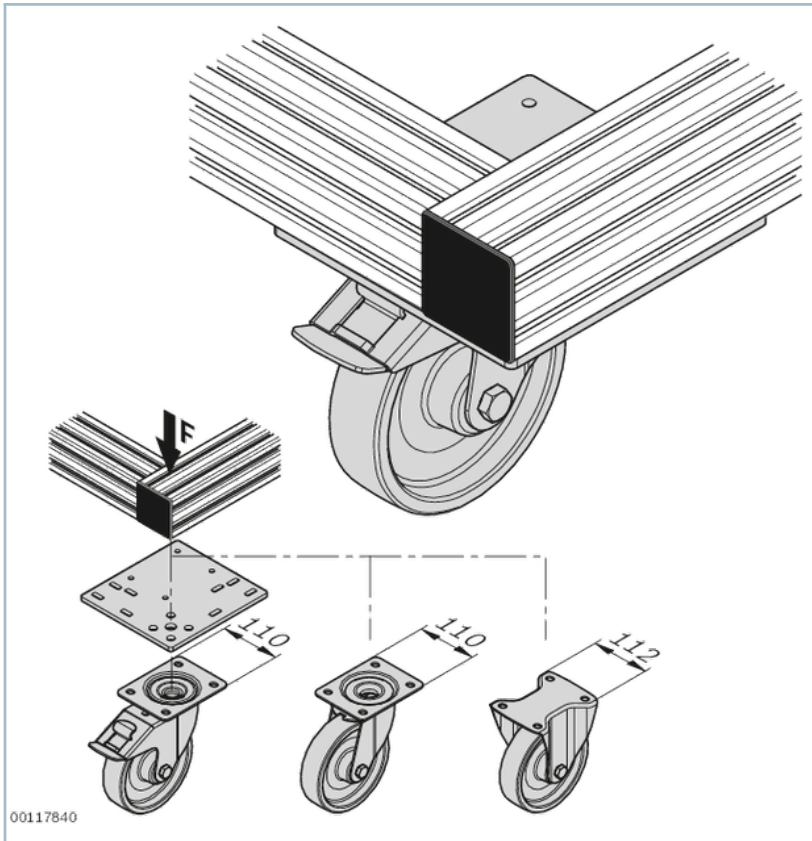


Heavy-duty wheel



- Heavy-duty wheel with mounting flange
- Available as a caster wheel with lock, caster, and trestle wheel
- Heavy-duty, particularly suited for workshop applications
- Wheels with excellent running properties
- Screw-on plate for attachment to 40 mm or 45 mm profiles

Product description

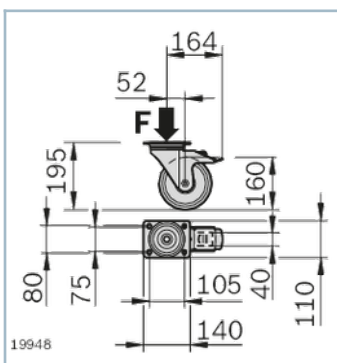


Technical data

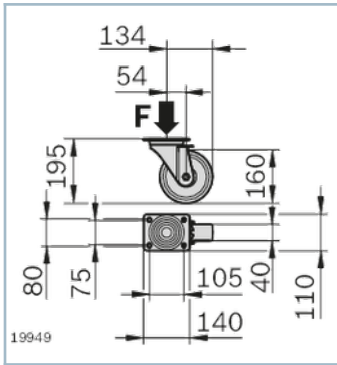
No.	3842536736	3842536737	3842536738	3842536701	3842562057	3842562058	3842562059
Material	Housing: Steel; zinc-plated Wheel: TPU			Galvanized steel	Housing: Steel; zinc-plated Wheel: TPU, 94° shore A, gray		

Dimensions

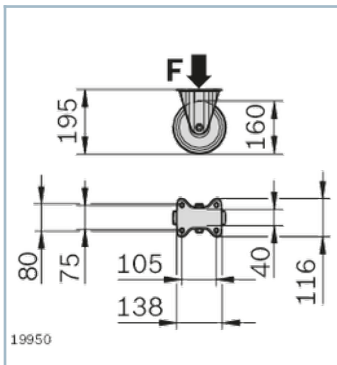
Heavy-duty wheel, LR with lock, F3000



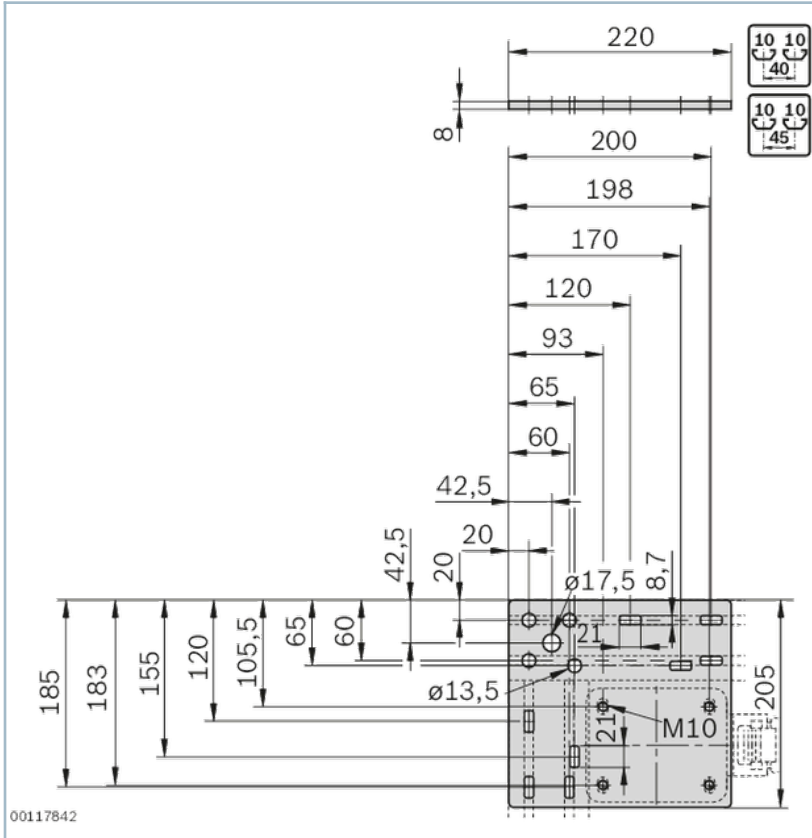
Heavy-duty wheel, LR




Trestle wheel



Screw-on plate, heavy duty wheel



Ordering codes

	F		No.
	N		
Heavy-duty wheel, LR with lock, F3000	3000		3842536736
Heavy duty wheel, LR, F3000	3000		3842536737
Heavy duty wheel, trestle wheel, F3000	3000		3842536738
Screw-on plate, heavy duty wheel		4	3842536701
Heavy-duty wheel, LR with lock, F3000	3000		3842562057
Heavy duty wheel, LR, F3000	3000		3842562058
Heavy duty wheel, trestle wheel, F3000	3000		3842562059