



ENGLISH

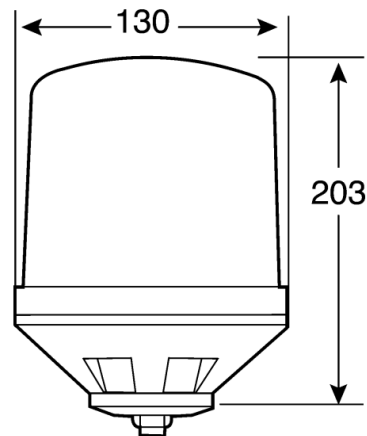
Datasheet

Stock No: 235-512

RS Pro Xenon Beacon, Flashing, Surface Mount, 10 → 30 V dc



Dimensions (mm):



Product Details

14W Xenon Beacon

A high performance range suitable for 12/24V applications requiring maximum visibility e.g. construction, utility or agricultural vehicles



ENGLISH

Vibration protected circuits
Reverse polarity protection
Supply voltage: 12/24Vdc
Current consumption: 2A / 1A @ 12/24V
Single or Double Flash operation possible
Flash Rate: 125 fpm
IP56 rated
Operating temperature range: -30°C to +50°C
Magnetic versions are rated to 70mph

Note

Lens must be purchased separately.
DIN-mount stem only suitable for DIN mounting types.
Large cage guard only suitable for Three-point mounting type.

Approvals

ECE65 where Amber or Blue lens are used

Supplied with

Bulb

Specifications:

Supply Voltage	10 → 30 V dc
Light Effect	Flashing
Lens Colour	Lens Not Included
Mounting Style	Surface Mount
Bulb Type	Xenon
Current Type	DC
Base Diameter	130mm
Housing Colour	Black
Lamp Included	Yes
Series	V10994
Height	203mm
Maximum Temperature	+50°C
Minimum Temperature	-30°C