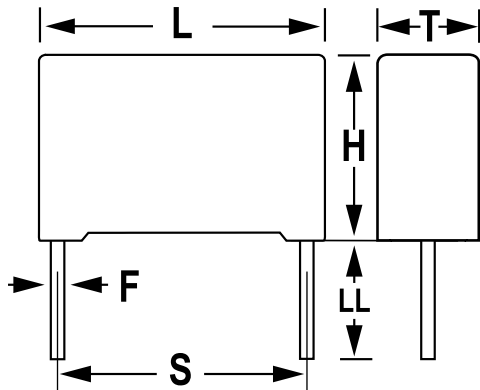


R46_275_125C, Film, Metallized Polypropylene, Safety, 0.33 uF, 20%, 275 VAC (X2), 560 VDC, 125°C, Lead Spacing = 15mm



Dimensions

L	18mm +0.5mm
H	18.5mm +0.1mm
T	7.5mm +0.2mm
S	15mm +/-0.4mm
LL	30mm +5mm
F	0.8mm +/-0.05mm

Packaging Specifications

Packaging:	Bulk, Bag
Packaging Quantity:	500

General Information

Supplier:	KEMET
Series:	R46_275_125C
Dielectric:	Metallized Polypropylene
Style:	Radial
Features:	EMI Safety
RoHS:	Yes
Lead:	Wire Leads
Qualifications:	ENEC, UL, cUL, CQC

Specifications

Capacitance:	0.33 uF
Capacitance Tolerance:	20%
Voltage AC:	275 VAC (X2)
Voltage DC:	560 VDC
Temperature Range:	-40/+125C
Rated Temperature:	125°C
Dissipation Factor:	0.10% 1kHz
Insulation Resistance:	100 GOhms
Max dV/dt:	400 V/us
Safety Class:	X2