

Position switch Plastic enclosure according to EN 50047, 31 mm 1 NO/1 NC quick action contacts integrated (not replaceable) with M12 connector, 4-pole Pin assignment: Pin1=21, Pin2=22 Pin3=13, Pin4=14 for max. 250 V and 4 A Twist lever, right and/or left switching can be set with plastic roller 19 mm



|                                   |                                                                                                                                                                                                                                                                                           |
|-----------------------------------|-------------------------------------------------------------------------------------------------------------------------------------------------------------------------------------------------------------------------------------------------------------------------------------------|
| product brand name                | SIRIUS                                                                                                                                                                                                                                                                                    |
| product designation               | Mechanical position switches                                                                                                                                                                                                                                                              |
| product type designation          | 3SE5                                                                                                                                                                                                                                                                                      |
| manufacturer's article number     | <ul style="list-style-type: none"> <li>• of the supplied basic switch <a href="#">3SE5234-0HC05-1AC4</a></li> <li>• of the supplied actuator head for position switches <a href="#">3SE5000-0AK00</a></li> <li>• of the supplied operating lever <a href="#">3SE5000-0AA21</a></li> </ul> |
| suitability for use safety switch | Yes                                                                                                                                                                                                                                                                                       |

| General technical data                                                     |             |
|----------------------------------------------------------------------------|-------------|
| product function                                                           |             |
| <ul style="list-style-type: none"> <li>• positive opening</li> </ul>       | Yes         |
| insulation voltage                                                         |             |
| <ul style="list-style-type: none"> <li>• rated value</li> </ul>            | 250 V       |
| degree of pollution                                                        | class 3     |
| surge voltage resistance rated value                                       | 2.5 kV      |
| protection class IP                                                        | IP65        |
| shock resistance                                                           |             |
| <ul style="list-style-type: none"> <li>• acc. to IEC 60068-2-27</li> </ul> | 30g / 11 ms |

|                                                                                                                                                                                                                          |                                                     |
|--------------------------------------------------------------------------------------------------------------------------------------------------------------------------------------------------------------------------|-----------------------------------------------------|
| <b>vibration resistance</b>                                                                                                                                                                                              |                                                     |
| <ul style="list-style-type: none"> <li>• acc. to IEC 60068-2-6</li> </ul>                                                                                                                                                | 0.35 mm/5g                                          |
| <b>mechanical service life (switching cycles)</b>                                                                                                                                                                        |                                                     |
| <ul style="list-style-type: none"> <li>• typical</li> </ul>                                                                                                                                                              | 15 000 000                                          |
| <b>electrical endurance (switching cycles)</b>                                                                                                                                                                           |                                                     |
| <ul style="list-style-type: none"> <li>• at AC-15 at 230 V typical</li> </ul>                                                                                                                                            | 100 000                                             |
| <b>Electrical operating cycles in one hour with contactor 3RH11, 3RT1016, 3RT1017, 3RT1024, 3RT1025, 3RT1026</b>                                                                                                         | 6 000                                               |
| <b>thermal current</b>                                                                                                                                                                                                   | 4 A                                                 |
| <b>material of the enclosure of the switch head</b>                                                                                                                                                                      | plastic                                             |
| <b>reference code acc. to DIN EN 81346-2</b>                                                                                                                                                                             | B                                                   |
| <b>continuous current of the C characteristic MCB</b>                                                                                                                                                                    | 1 A; for a short-circuit current smaller than 400 A |
| <b>continuous current of the quick DIAZED fuse link</b>                                                                                                                                                                  | 4 A; for a short-circuit current smaller than 400 A |
| <b>continuous current of the DIAZED fuse link gG</b>                                                                                                                                                                     | 4 A                                                 |
| <b>active principle</b>                                                                                                                                                                                                  | mechanical                                          |
| <b>repeat accuracy</b>                                                                                                                                                                                                   | 0.05 mm                                             |
| <b>minimum actuating torque in activation direction</b>                                                                                                                                                                  | 0.25 N·m                                            |
| <b>length of the sensor</b>                                                                                                                                                                                              | 125.3 mm                                            |
| <b>width of the sensor</b>                                                                                                                                                                                               | 31 mm                                               |
| <b>design of the switching contact</b>                                                                                                                                                                                   | mechanical                                          |
| <b>operating frequency rated value</b>                                                                                                                                                                                   | 50 ... 60 Hz                                        |
| <b>number of NC contacts for auxiliary contacts</b>                                                                                                                                                                      | 1                                                   |
| <b>number of NO contacts for auxiliary contacts</b>                                                                                                                                                                      | 1                                                   |
| <ul style="list-style-type: none"> <li>• operating current at AC-15 at 24 V rated value</li> <li>• operating current at AC-15 at 125 V rated value</li> <li>• operating current at AC-15 at 240 V rated value</li> </ul> | 4 A<br>4 A<br>4 A                                   |
| <b>operating current at DC-13</b>                                                                                                                                                                                        |                                                     |
| <ul style="list-style-type: none"> <li>• at 24 V rated value</li> <li>• at 125 V rated value</li> <li>• at 250 V rated value</li> </ul>                                                                                  | 3 A<br>0.55 A<br>0.27 A                             |
| <b>design of the interface for safety-related communication</b>                                                                                                                                                          | without                                             |

#### Enclosure

|                                               |               |
|-----------------------------------------------|---------------|
| <b>design of the housing</b>                  | block, narrow |
| <b>material of the enclosure</b>              | plastic       |
| <b>coating of the enclosure</b>               | Other types   |
| <b>design of the housing acc. to standard</b> | Yes           |

#### Drive Head

|                                          |                                                                      |
|------------------------------------------|----------------------------------------------------------------------|
| <b>design of the operating mechanism</b> | Twist lever, metal lever, 21 mm long, straight, plastic roller 19 mm |
| <b>standard-compliant actuator head</b>  | EN 50047, design A                                                   |
| <b>shape of the switch head</b>          | roller                                                               |
| <b>design of the switching function</b>  | positive opening, integrated                                         |

|                                             |                      |
|---------------------------------------------|----------------------|
| <b>circuit principle</b>                    | snap-action contacts |
| number of switching contacts safety-related | 1                    |

#### Connections/ Terminals

|                                      |                                                                           |
|--------------------------------------|---------------------------------------------------------------------------|
| <b>type of electrical connection</b> | M12 plug, fixed                                                           |
| <b>cable entry type</b>              | M12 plug                                                                  |
| <b>design of plug-in connection</b>  | M12 plug, 4-pole: Pin 1 = terminal 21, Pin 2 = 22, Pin 3 = 13, Pin 4 = 14 |

#### Communication/ Protocol

|                                |         |
|--------------------------------|---------|
| <b>design of the interface</b> | without |
|--------------------------------|---------|

#### Ambient conditions

|                                               |      |
|-----------------------------------------------|------|
| <b>explosion protection category for dust</b> | none |
|-----------------------------------------------|------|

#### Installation/ mounting/ dimensions

|                          |              |
|--------------------------|--------------|
| <b>mounting position</b> | any          |
| • <b>mounting type</b>   | screw fixing |

#### Certificates/ approvals

|                                 |                                              |                                  |
|---------------------------------|----------------------------------------------|----------------------------------|
| <b>General Product Approval</b> | <b>Functional Safety/Safety of Machinery</b> | <b>Declaration of Conformity</b> |
|---------------------------------|----------------------------------------------|----------------------------------|



[Type Examination Certificate](#)



EG-Konf.

|                                  |                          |              |
|----------------------------------|--------------------------|--------------|
| <b>Declaration of Conformity</b> | <b>Test Certificates</b> | <b>other</b> |
|----------------------------------|--------------------------|--------------|

[Miscellaneous](#)

[Type Test Certificates/Test Report](#)

[Confirmation](#)

#### Further information

**Information- and Downloadcenter (Catalogs, Brochures,...)**

<https://www.siemens.com/ic10>

**Industry Mall (Online ordering system)**

<https://mall.industry.siemens.com/mall/en/en/Catalog/product?mlfb=3SE5234-0HK21-1AC4>

**Cax online generator**

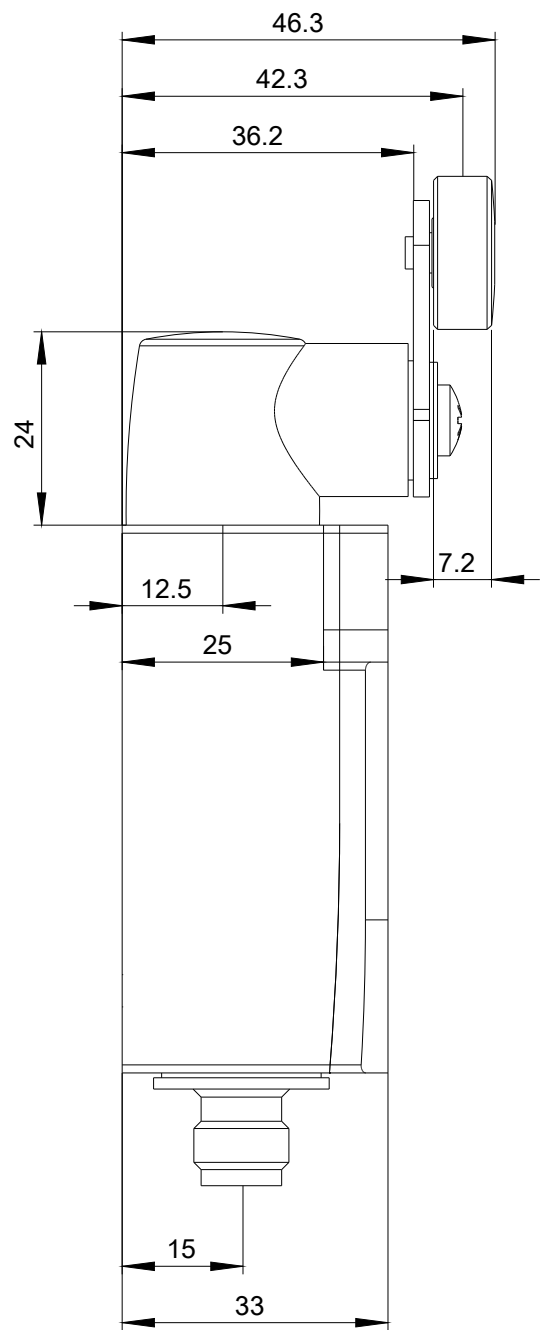
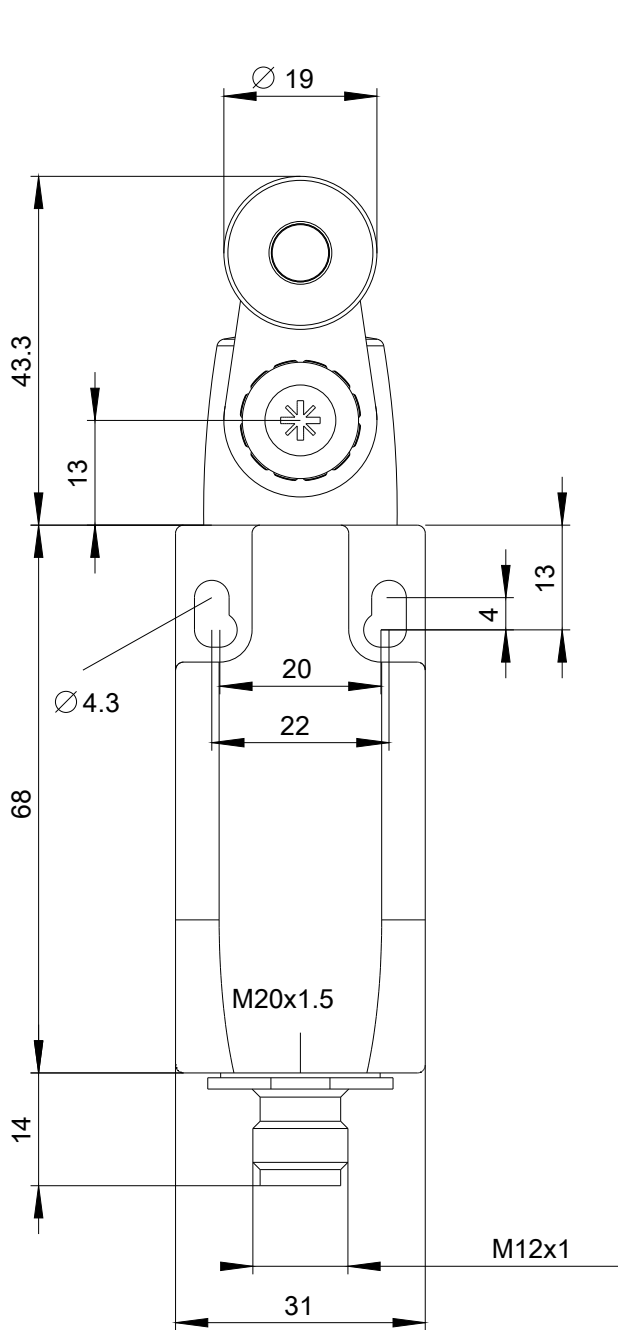
<http://support.automation.siemens.com/WW/CAXorder/default.aspx?lang=en&mlfb=3SE5234-0HK21-1AC4>

**Service&Support (Manuals, Certificates, Characteristics, FAQs,...)**

<https://support.industry.siemens.com/cs/ww/en/ps/3SE5234-0HK21-1AC4>

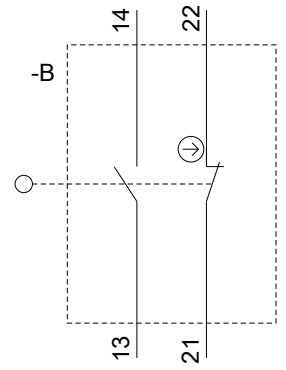
**Image database (product images, 2D dimension drawings, 3D models, device circuit diagrams, EPLAN macros, ...)**

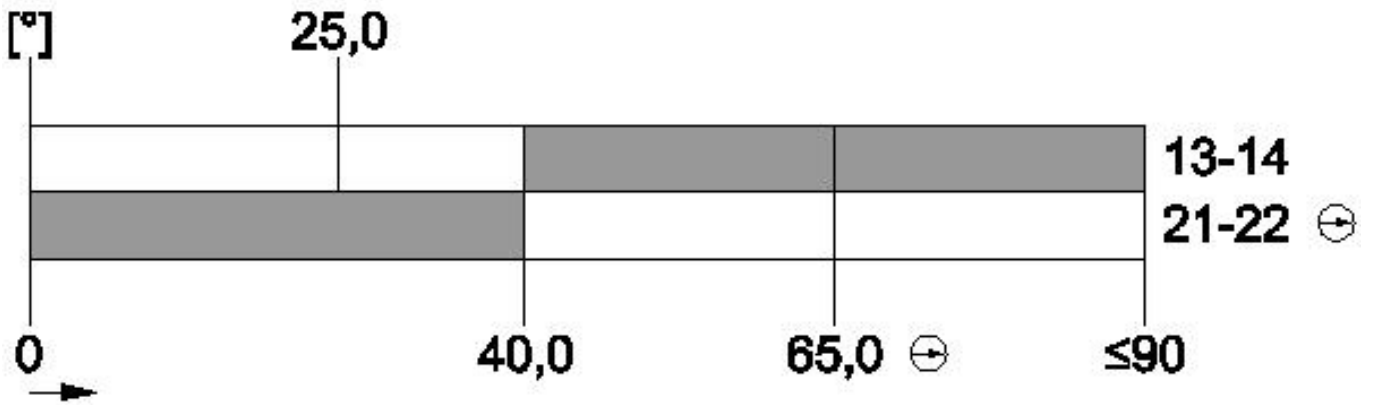
[http://www.automation.siemens.com/bilddb/cax\\_de.aspx?mlfb=3SE5234-0HK21-1AC4&lang=en](http://www.automation.siemens.com/bilddb/cax_de.aspx?mlfb=3SE5234-0HK21-1AC4&lang=en)





|   |            |   |    |
|---|------------|---|----|
| 1 | BN = Brown | → | 21 |
| 2 | WH = White | → | 22 |
| 3 | BU = Blue  | → | 13 |
| 4 | BK = Black | → | 14 |





last modified:

09/29/2020