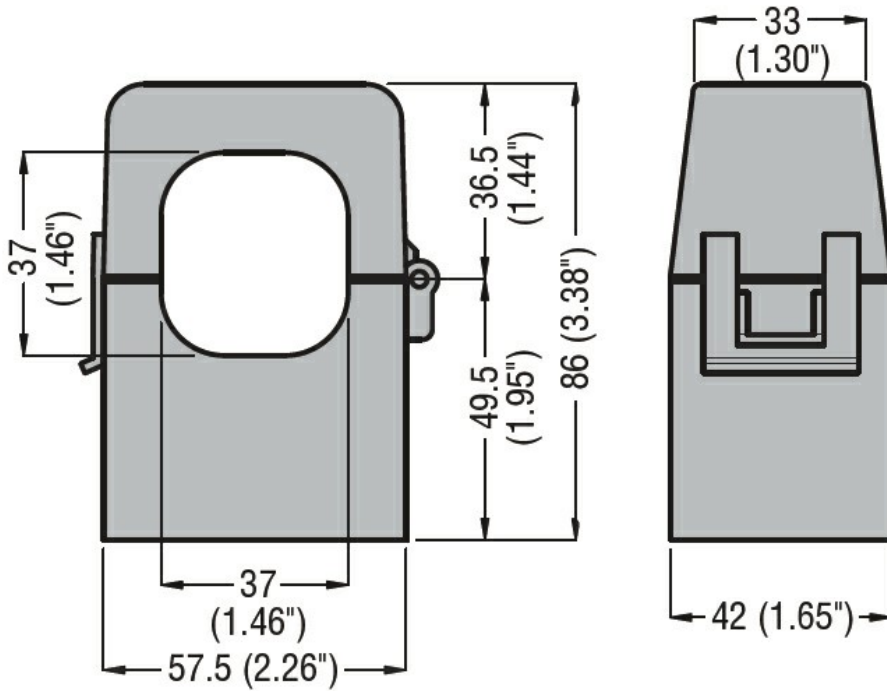




Current inputs				
Primary current I <sub>pn</sub> (/5)		A	500	
Operational frequency	min	Hz	50	
	max	Hz	60	
Secondary output current		A	5	
Overload withstand I <sub>pn</sub>		%	120	
Burden	cl. 0.5	VA	0.5	
	cl. 1	VA	1.5	
Insulations				
Rated insulation voltage U <sub>i</sub> IEC/EN		V	720	
IEC rated short-time thermal current I <sub>th</sub>		I <sub>th</sub> for s	40...60	
IEC rated dynamic current I <sub>dyn</sub>		I <sub>th</sub> for s	2.5	
Insulation dry type			Class E	
Mechanical features				
Terminals type			2m pre-wired	
Weight		g	380	
Ambient conditions				
Temperature	Operating temperature	min	°C -25	
		max	°C +50	
	Storage temperature	min	°C -40	
		max	°C +80	
	Relative humidity		%	90
	Dimensions			



**Certifications and compliance**

Certifications

IEC/EN/BS 61869-1

IEC/EN/BS 61869-2

Compliance

EAC

**ETIM classification**

EC000066 - Power contactor, AC switching