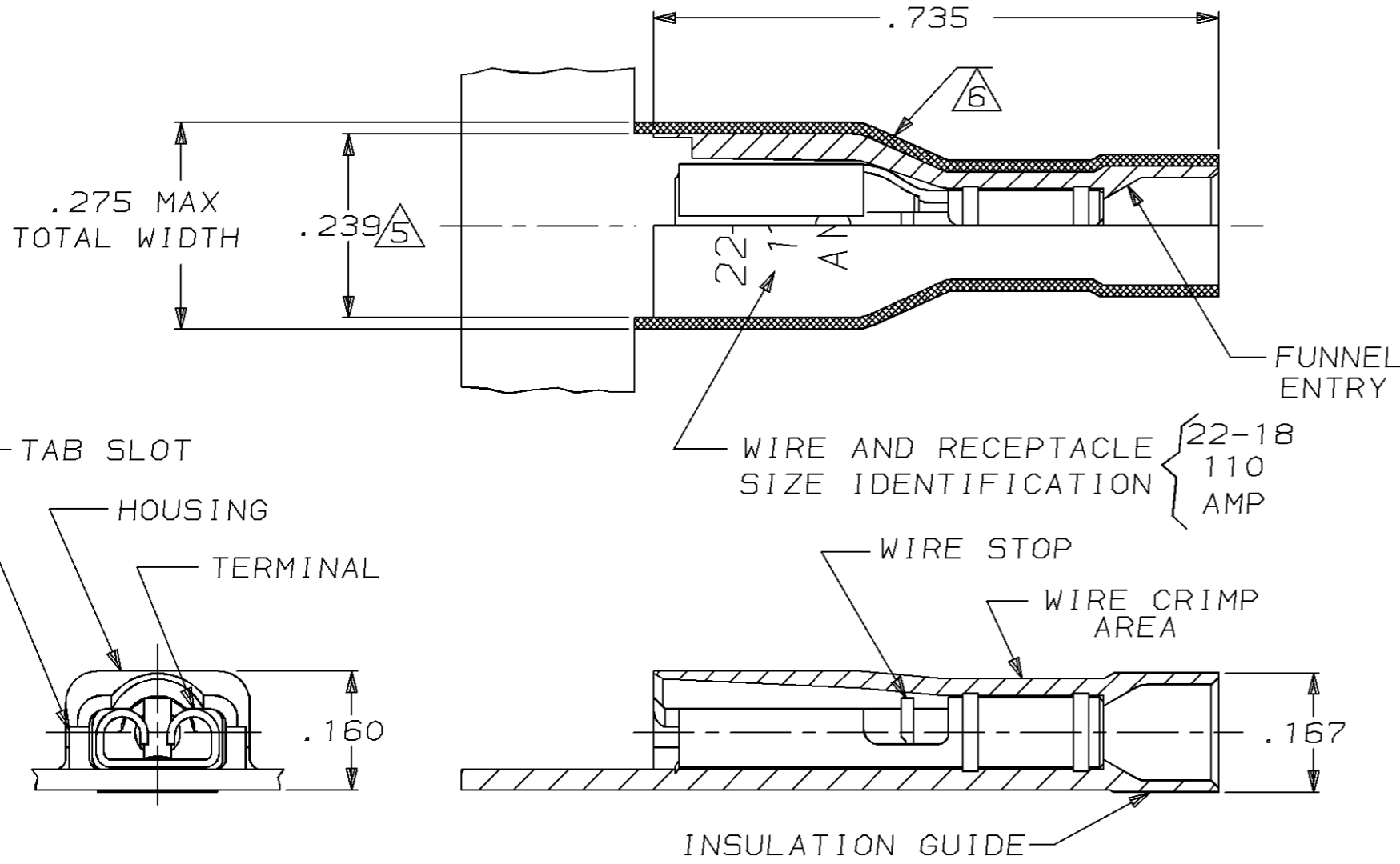


THIS DRAWING IS UNPUBLISHED. RELEASED FOR PUBLICATION, 19
 © COPYRIGHT 19 BY AMP INCORPORATED. ALL INTERNATIONAL RIGHTS RESERVED.

LOC	DIST	P	F	REVISIONS				DATE	APPD
AF	50			ZONE	LTR	DESCRIPTION			
					T	REV PER 0710-0057-95	2/15/95	JR/JW	



- 1 MATES WITH .020±.001X.110 OR .125 TAB PER NEMA DC-2.
- 2 WIRE STRIP LENGTH .281
- 3 INSULATION SIZE .120 MAX DIA
- 4 CONTINUOUS STRIP ON REELS
- △5 DIMENSION DOES NOT INCLUDE TRIM BURR
- △6 .015 MAX CARRIER TRIM BURR PER SIDE IS ALLOWABLE IN THE SHADED AREA

HOUSING: NYLON, COLOR-RED TRANSLUCENT		2-520083-2	
RECEPTACLE: #3 HARD BRASS TIN PL .000080 MIN THK			
MATERIAL & FINISH		PART NO	
DO NOT SCALE PRINT. UNLESS SPECIFIED DIMENSIONS IN INCHES TOLERANCES ON: 2 PLC DEC ± - 3 PLC DEC ± .015 ANGLES ± -	DR 11/9/88 P FORTNEY	AMP INCORPORATED Harrisburg, Pa. 17105	
	CHK 11/9/88 MS FEHER		
	MATERIAL SEE TABLE	APPD 11/11/88 K RANDOLPH	NAME RECEPTACLE ASSY, ULTRA-FAST, .110/.125 SERIES, 22-18 AWG
FINISH SEE TABLE	APPD 11/11/88 TL SHUTTER	SIZE B	FSCM NO 00779
	PRODUCT SPEC 108-2043	DRAWING NO 520083	
	APPLICATION SPEC 114-2123	SCALE 5:1	SHEET 1 OF 1
	WEIGHT -		