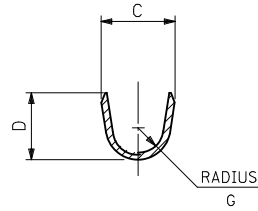
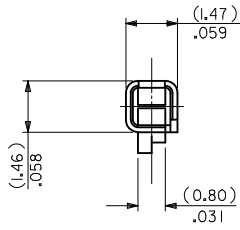
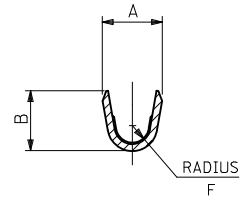


SECTION X-X



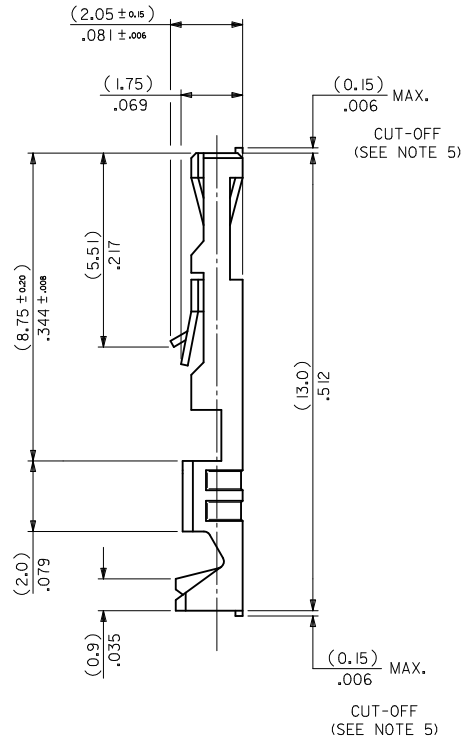
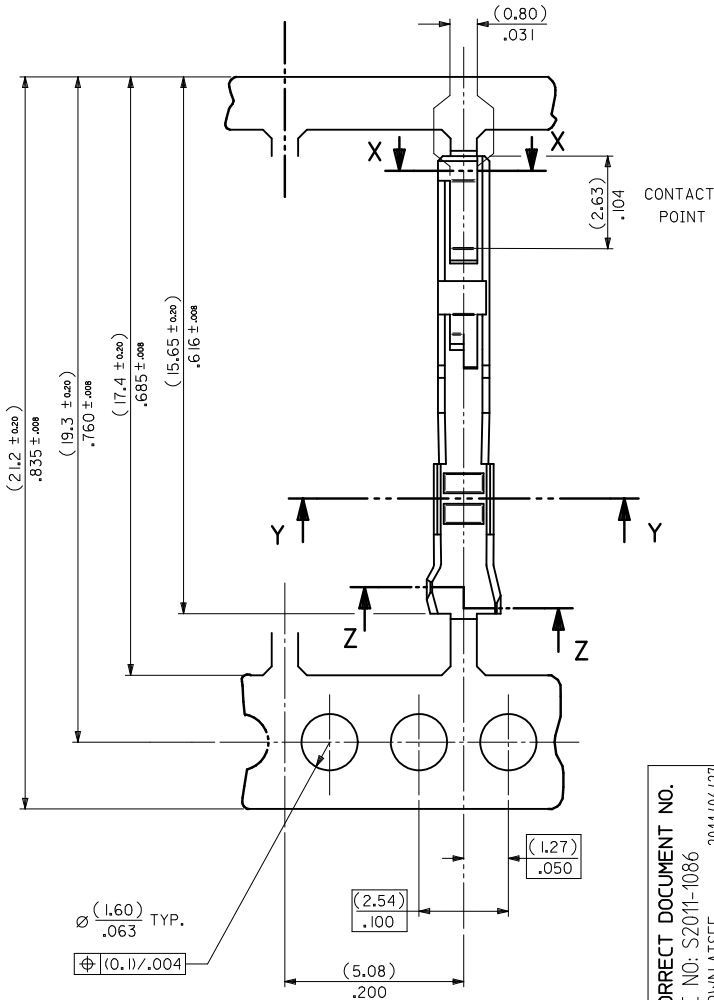
SECTION Z-Z

INSULATION BARREL



SECTION Y-Y

WIRE BARREL



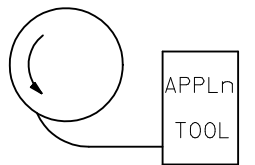
NOTES:

1. MATERIAL - PHOSPHOR BRONZE CDA 521 THICKNESS: (0.200) / .008 TENSILE STRENGTH - 655-760 N/mm² PLATING - SEE SHEET 2
2. FOR DIMENSIONS A, B, C, D, F & G SEE SHEET 2
3. FOR WIRE SIZE & INSULATION DIA SEE SHEET 2
4. THIS TERMINAL TO MATE WITH (0.635) / .025 SQUARE PIN
5. MAX BURR AFTER CUT-OFF (0.025) / .001

CORRECT DOCUMENT NO. EC NO: S2011-1086 L1	DESCRIPTION DRWNATSEE 2011/06/27 CHKD:SKANG 2011/07/04 APPR:MLONG 2011/07/06	QUALITY SYMBOLS	GENERAL TOLERANCES (UNLESS SPECIFIED)		DIMENSION STYLE	SCALE	DESIGN UNITS	THIRD ANGLE PROJECTION	
		$\nabla_A = 0$ $\nabla_C = 0$ $\nabla_D = 0$	mm	INCH	MM ONLY	NTS	METRIC		
		4 PLACES	± ---	± ---	DRAWN BY	DATE	TITLE		
		3 PLACES	± ---	± .004	NPC	1987/08/27	C-GRID III FEMALE CRIMP TERMINAL		
		2 PLACES	± 0.1	± .008	CHECKED BY	DATE			
		1 PLACE	± 0.2	± ---	D.MORIARTY	2005/08/26			
		ANGULAR ± .5 °			APPROVED BY	DATE			
		DRAFT WHERE APPLICABLE MUST REMAIN WITHIN DIMENSIONS			MLONG	2011/07/04	MOLEX INCORPORATED		
		SEE TABLE			MATERIAL NO.		DOCUMENT NO.		SHEET NO.
		SIZE A3		THIS DRAWING CONTAINS INFORMATION THAT IS PROPRIETARY TO MOLEX INCORPORATED AND SHOULD NOT BE USED WITHOUT WRITTEN PERMISSION			SD-90119		1 OF 2

PART No	PLATING	REELING	WIRE SIZE (AWG)	INSULATION RANGE	CRIMP DIMENSIONS					
					WIRE BARREL			INSULATION BARREL		
					A ±(0.15) ±.006	B ±(0.15) ±.006	F ±(0.15) ±.006	C ±(0.15) ±.006	D ±(0.15) ±.006	G ±(0.15) ±.006
90119-0109	A	L.H FEED	22,24	(1.02-1.47) .040-.058	(1.70)	(1.70)	(0.51)	(2.10)	(1.90)	(0.70)
-0110	E				.067	.067	0.20	.083	.075	0.27
-0111	F									
-0112	D									
-0120	A		26,28	(0.76-1.22) .030-.048	(1.37)	(1.37)	(0.28)	(2.00)	(1.70)	(0.60)
-0121	E				.054	.054	0.11	.079	.067	0.24
-0122	F									
-0123	D									
-2109	A	LOOSE PIECE PARTS	22,24	(1.02-1.47) .040-.058	(1.70)	(1.70)	(0.51)	(2.10)	(1.90)	(0.70)
-2110	E				.067	.067	0.20	.083	.075	0.27
-2111	F									
-2112	D									
-2120	A		26,28	(0.76-1.22) .030-.048	(1.37)	(1.37)	(0.28)	(2.00)	(1.70)	(0.60)
-2121	E				.054	.054	0.11	.079	.067	0.24
-2122	F									
90119-2123	D									

TYPE	PLATING
A	PRE-PLATED HOT DIP TIN (1.0 to 2.5 um)/.00004 TO .0001
E	(1.27 TO 1.78um)/.00005 TO .00007 NICKEL OVERALL. (0.38 TO 0.64um)/.000015 TO .000025 GOLD ON CONTACT AREA. (3.0 TO 5.0 um)/.00012 TO .0002 TIN ON TERMINATION AREA.
F	(1.27 TO 1.78um)/.00005 TO .00007 NICKEL OVERALL. (0.76 TO 01.0 um)/.00003 TO .00004 GOLD ON CONTACT AREA. (3.0 TO 5.0 um)/.00012 TO .0002 TIN ON TERMINATION AREA.
D	1.25µm MIN NICKEL OVERALL. 0.05µm TO 0.10µm GOLD FLASH ON CONTACT AREA 2.50µm MIN TIN ON CRIMP AREA



L.H FEED

CORRECT DOCUMENT NO. EC NO: S2011-1086 DRWN:ATSEE 2011/06/27 CHKD:SKANG 2011/07/04 APPR:MLONG 2011/07/04 REV	QUALITY SYMBOLS F=0 F=0 F=0	GENERAL TOLERANCES (UNLESS SPECIFIED)		DIMENSION STYLE MM ONLY	SCALE NTS	DESIGN UNITS METRIC	THIRD ANGLE PROJECTION		
		4 PLACES ± --- ± --- 3 PLACES ± --- ± .004 2 PLACES ± 0.1 ± .008 1 PLACE ± 0.2 ± ---	mm INCH ± --- ± --- ± 0.1 ± .008 ± 0.2 ± ---	DRAWN BY NPC	DATE 1987/08/27	TITLE C-GRID III FEMALE CRIMP TERMINAL			
		ANGULAR ± .5 °		CHECKED BY D.MORIARTY	DATE 2005/08/26	MOLEX MOLEX INCORPORATED			
		DRAFT WHERE APPLICABLE MUST REMAIN WITHIN DIMENSIONS		APPROVED BY MLONG	DATE 2011/07/04	MATERIAL NO. SEE TABLE	DOCUMENT NO. SD-90119	SHEET NO. 2 OF 2	