

**Ordering number FP11084_LISA2-RS-CLIP**

Family	Lisa2	FWHM	16 degrees
Type	Assembly	Efficiency	89 %
LED	Oslon SSL 80	cd/lm	-
Color	Black	Gerber File	Available
Diameter	9.9 mm		
Height	6.6 mm		
Style	Round		
Optic Material	PMMA		
Holder Material	PC		
Fastening	Clips, glue		
Status	Ready		

Ordering number FP11081_LISA2-M-CLIP

Family	Lisa2	FWHM	23 degrees
Type	Assembly	Efficiency	90 %
LED	Oslon SSL 80	cd/lm	-
Color	Black	Gerber File	Available
Diameter	9.9 mm		
Height	6.6 mm		
Style	Round		
Optic Material	PMMA		
Holder Material	PC		
Fastening	Clips, glue		
Status	Ready		

Ordering number FP11082_LISA2-W-CLIP

Family	Lisa2	FWHM	36 degrees
Type	Assembly	Efficiency	88 %
LED	Oslon SSL 80	cd/lm	1.730
Color	Black	Gerber File	Available
Diameter	9.9 mm		
Height	6.6 mm		
Style	Round		
Optic Material	PMMA		
Holder Material	PC		
Fastening	Clips, glue		
Status	Ready		

Ordering number FP11120_LISA2-O-CLIP

Family	Lisa2	FWHM	48+19 degrees
Type	Assembly	Efficiency	80 %
LED	Oslon SSL 80	cd/lm	2.200
Color	Black	Gerber File	Available
Diameter	9.9 mm		
Height	6.6 mm		
Style	Round		
Optic Material	PMMA		
Holder Material	PC		
Fastening	Clips, glue		
Status	Ready		

**Ordering number FP11857_LISA2-O-90-CLIP**

Family	Lisa2	FWHM	48+19 degrees
Type	Assembly	Efficiency	80 %
LED	Oslon SSL 80	cd/lm	-
Color	Black	Gerber File	Available
Diameter	9.9 mm		
Height	6.6 mm		
Style	Round		
Optic Material	PMMA		
Holder Material	PC		
Fastening	Clips, glue		
Status	Ready		

Ordering number FP11083_LISA2-WW-CLIP

Family	Lisa2	FWHM	60 degrees
Type	Assembly	Efficiency	87 %
LED	Oslon SSL 80	cd/lm	-
Color	Black	Gerber File	Available
Diameter	9.9 mm		
Height	7 mm		
Style	Round		
Optic Material	PMMA		
Holder Material	PC		
Fastening	Clips, glue		
Status	Ready		

Ordering number FP11958_LISA2-WWW-CLIP

Family	Lisa2	FWHM	70 degrees
Type	Assembly	Efficiency	77 %
LED	Oslon SSL 80	cd/lm	0.700
Color	Black	Gerber File	Available
Diameter	9.9 mm		
Height	6.6 mm		
Style	Round		
Optic Material	PMMA		
Holder Material	PC		
Fastening	Clips, glue		
Status	Ready		

NOTE: The typical divergence will be changed by different color, chip size and chip position tolerance. The typical total divergence is the full angle measured where the luminous intensity is half of the peak value.

GENERAL INFORMATION

- Product series especially designed & optimized for Oslon SSL 80 series of LEDs.
- Special care taken to make light distribution as uniform as possible.
- Lens material optical grade PMMA with high UV and temperature resistance. Allows use of high current and temperature conditions.

Please find more information about used material from below:

http://ledil.fi/sites/default/files/Documents/Technical/Material/PMMA%20N%20UL94_Yellow%20Card.pdf

<http://ledil.fi/sites/default/files/Documents/Technical/Material/PMMA%20N%20PLEXIGLAS-Datasheet.pdf>

- Optic holder molded by high quality PC material (120 degrees of Celcius / 248 degrees of Fahrenheit).

D

C

B

A

4

4

3

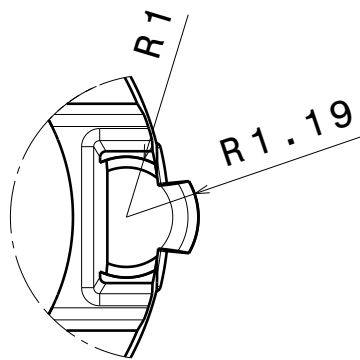
3

2

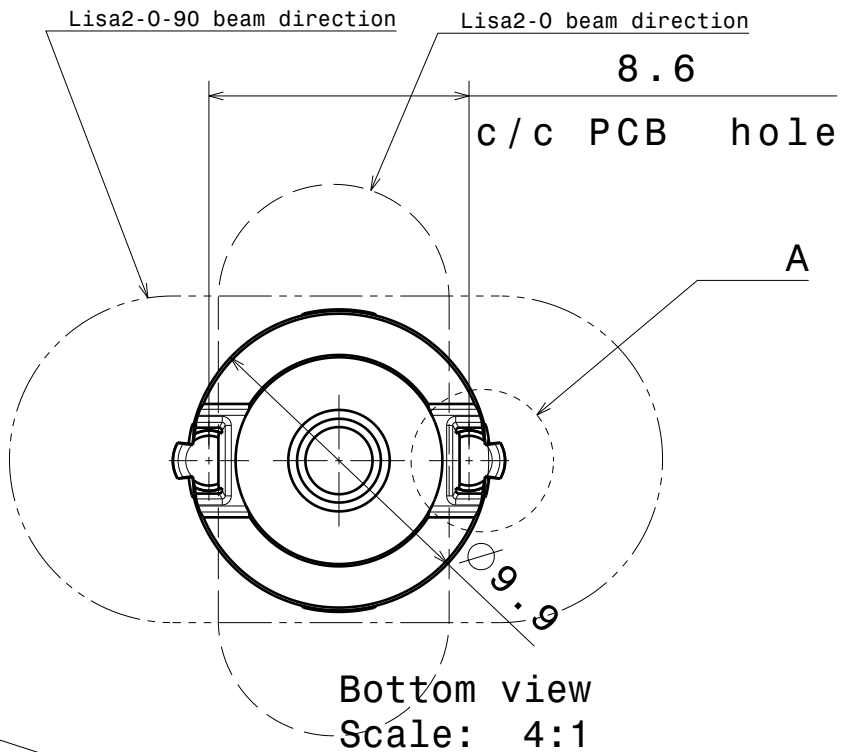
2

1

1



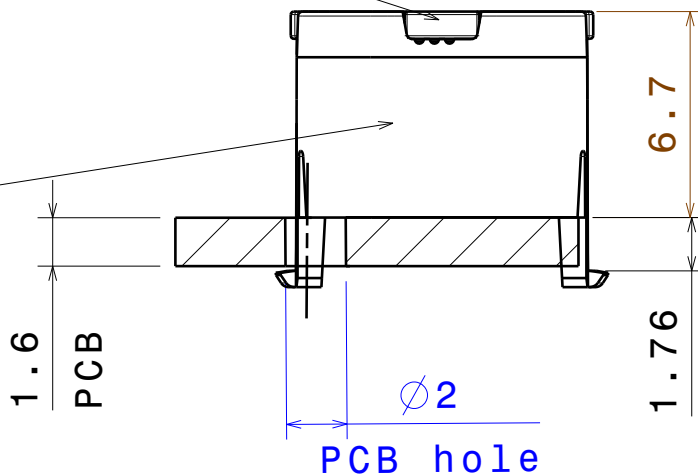
Detail A
Scale: 8:1



Bottom view
Scale: 4:1

Lens

Holder



Front view
Scale: 4:1

Materials:
Lens PMMA
Holder PC

This drawing is our property.
It can't be reproduced
or communicated without
our written agreement.



L
T
F
F

e
e
i
i
N
n

d
h

DRAWING TITLE

Datasheet Lisa2-clip16-0SL series Assy

DRAWN BY

DATE

a

20.7.2011

CHECKED BY

DATE

s

n

20.7.2011

DESIGNED BY

DATE

hh

19.10.2009

SIZE

A4

DRAWING NUMBER

SCALE

4:1

WEIGHT (g)

REV

2

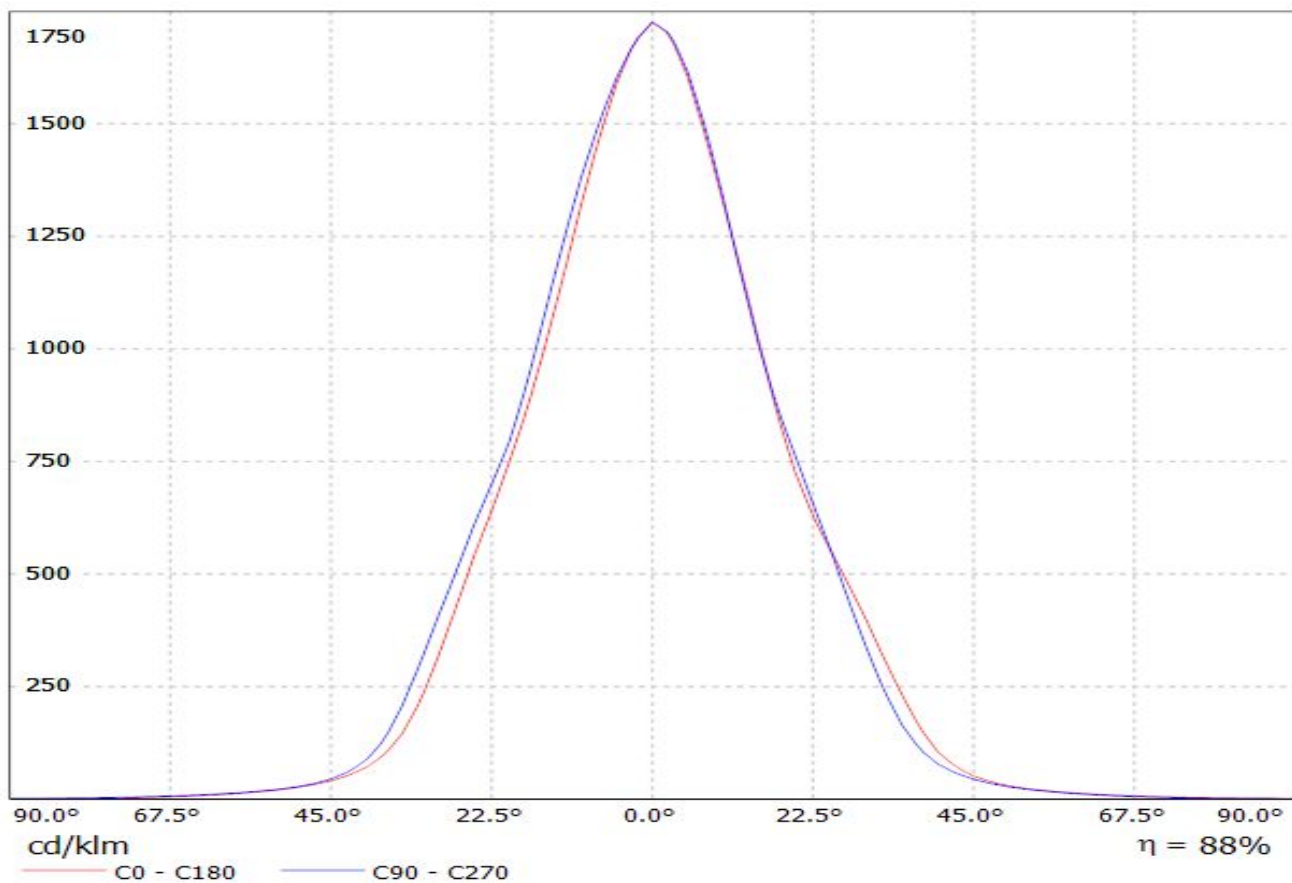
SHEET

1/1

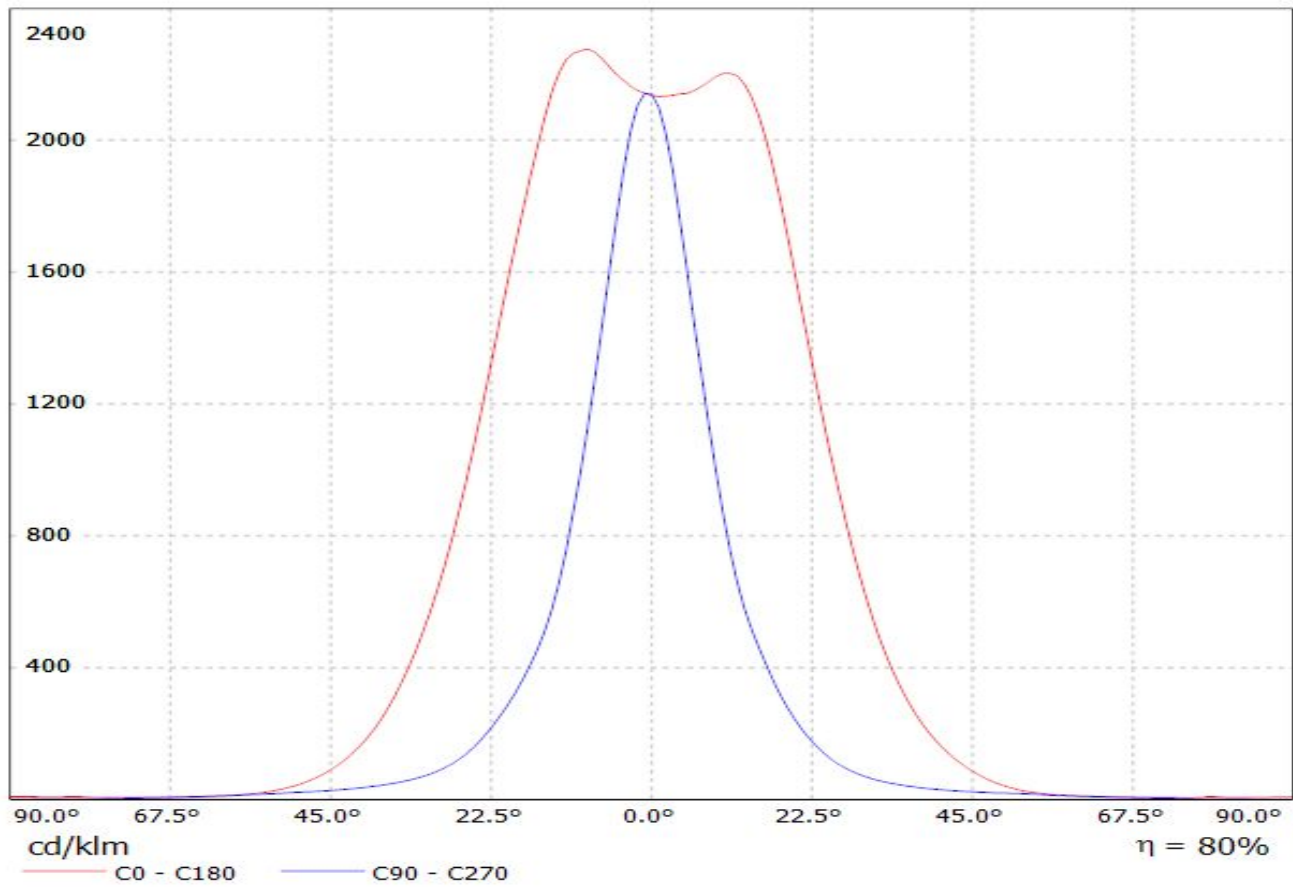
D

A

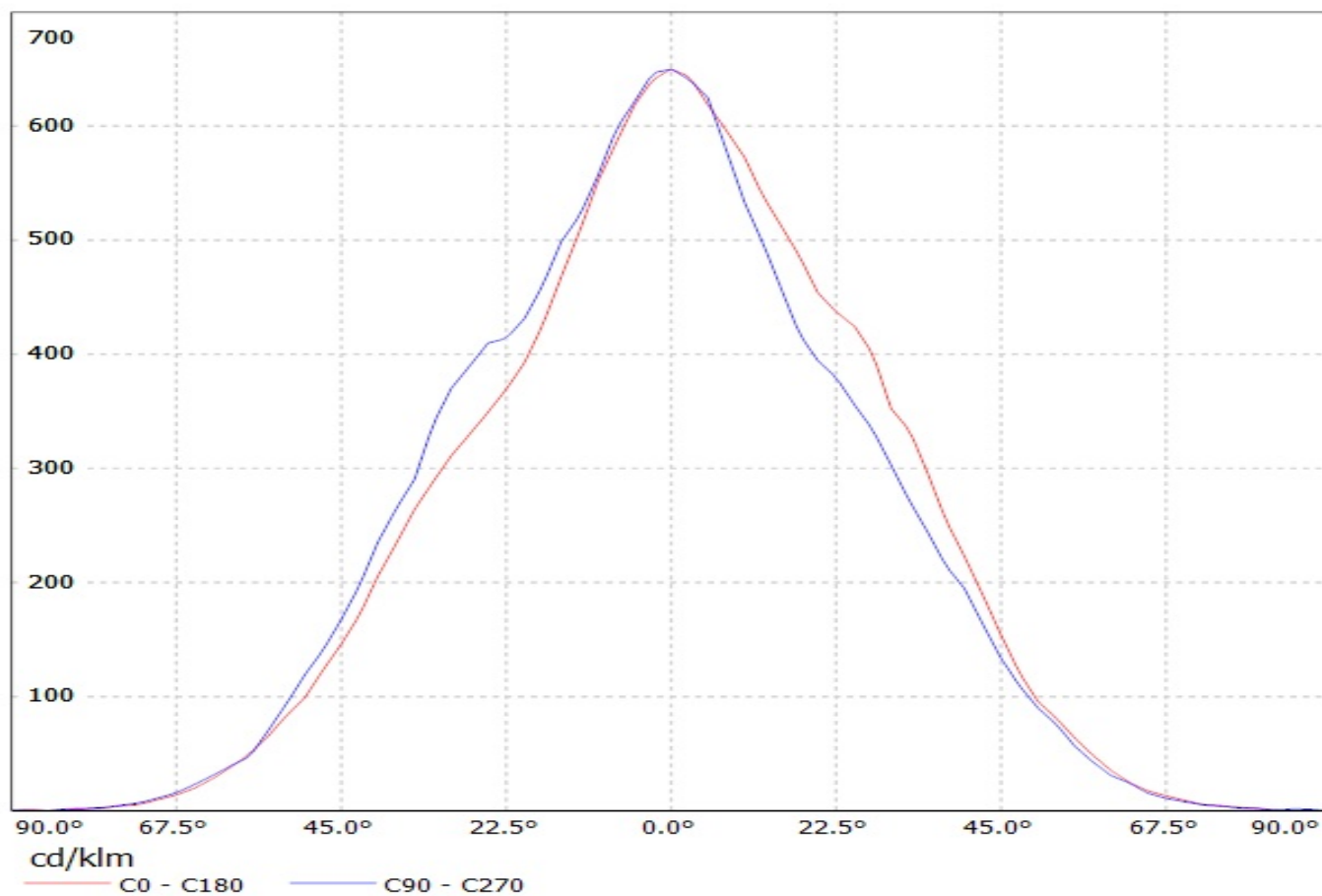
Luminaire: LEDiL Oy FP11002 & FP11082_LISA2-W_(SSL80) Eff.87.5%
Lamps: 1 x Oslon SSL80 (77.5072lm@250mA)



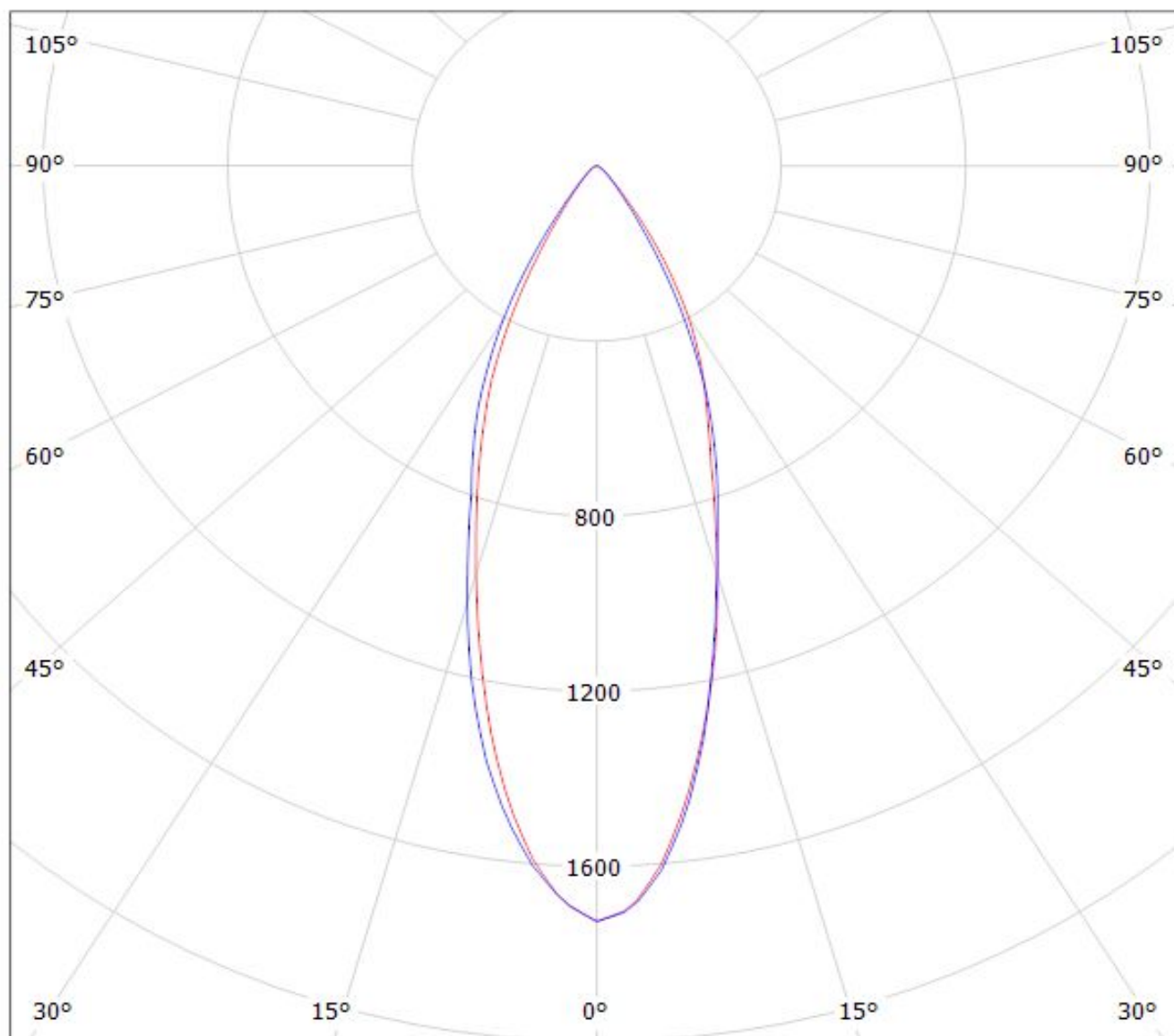
Luminaire: LEDiL Oy FP11124&FP11120_Lisa2-O_(SSL80) Eff.80.4%
Lamps: 1 x Oslon SSL80 (77.5621lm@250mA)



Luminaire: Ledil Oy FP11957 & FP11958_LISA2-WWW (Osram Oslon 80 79lm @ 250mA) Efficiency=74%
Lamps: 1 x Osram Oslon 80 79lm @ 250mA



Luminaire: LEDiL Oy FP11002 & FP11082_LISA2-W_(SSL80) Eff.87.5%
Lamps: 1 x Oslon SSL80 (77.5072lm@250mA)



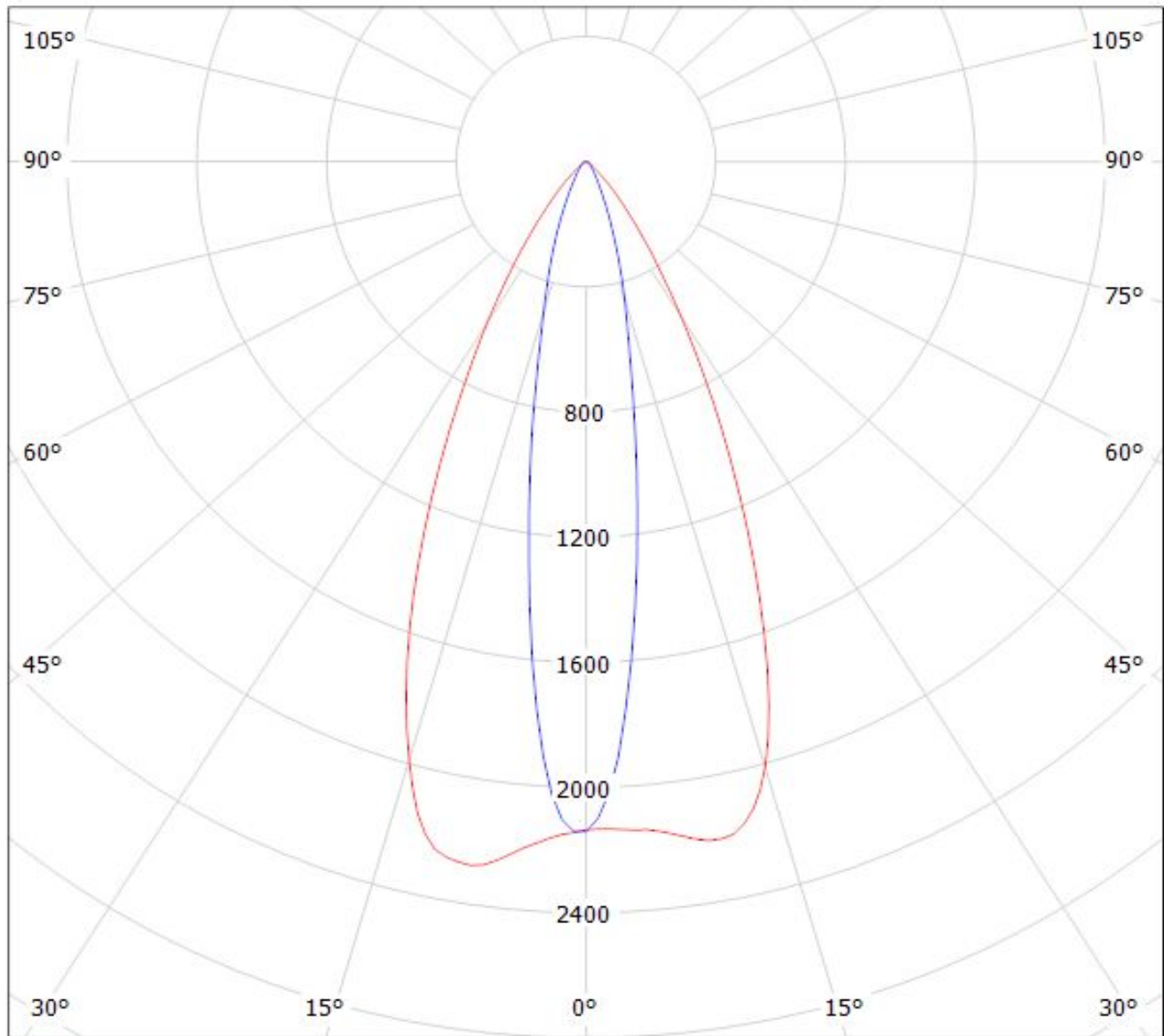
cd/klm

$\eta = 88\%$

— C0 - C180

— C90 - C270

Luminaire: LEDiL Oy FP11124&FP11120_Lisa2-O_(SSL80) Eff.80.4%
Lamps: 1 x Oslon SSL80 (77.5621lm@250mA)

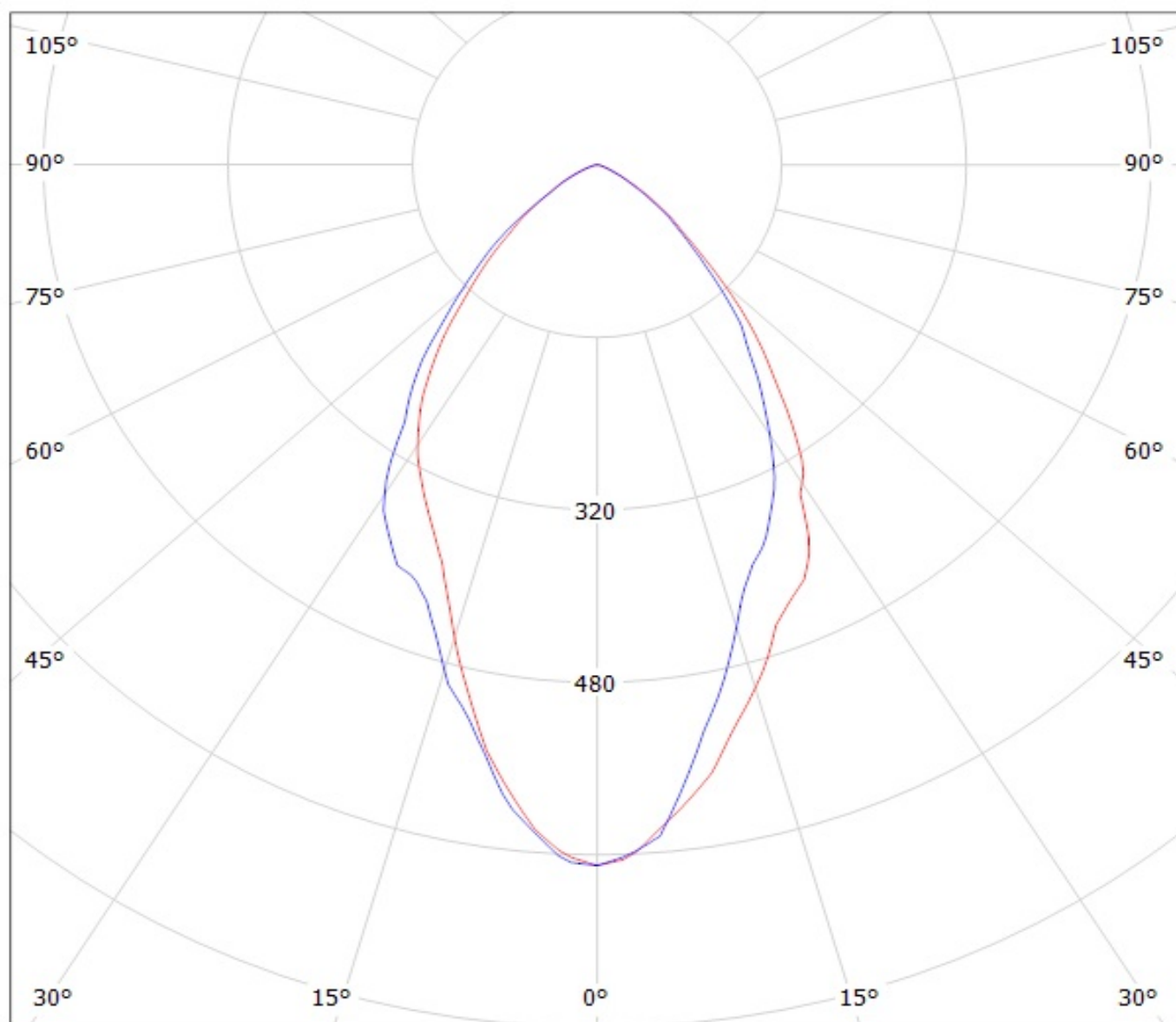


cd/klm

— C0 - C180 — C90 - C270

$\eta = 80\%$

Luminaire: Ledil Oy FP11957 & FP11958_LISA2-WWW (Osram Oslon 80 79lm @ 250mA) Efficiency=74%
Lamps: 1 x Osram Oslon 80 79lm @ 250mA



cd/klm

— C0 - C180

— C90 - C270