

FEATURES

- Single point laser sighting
- Easy °C / °F unit switching
- Integrated non-contact AC voltage detection
- Ultra bright white LED Torch
- Pocket Clip designed

RS PRO IT-1 Infrared Thermometer, Max Temperature +500 °C, +932 °F, ±1 °C, ±2 °F, Centigrade, Fahrenheit

RS Stock No.: 123-3250



RS Professionally Approved Products bring to you professional quality parts across all product categories. Our product range has been tested by engineers and provides a comparable quality to the leading brands without paying a premium price.\

Product Description

RS PRO IT-1 is an easy to use infrared thermometer (sometimes called laser thermometers or non-contact thermometers) for reading thermal radiation emitted from any given object where a probe is not appropriate. This is a great compact device having a 3 in 1 function of °C/°F convertible infrared temperature measurement, voltage detection to detect live cables and a handy LED flashlight. The small design includes a pocket clip for easy carrying around and features a 8:1 distance to spot ratio, a measuring temperature range of -30 to +500°C with an accuracy $\pm 1\%$ of the reading.

General Specifications

Model Number	IT-1
Temperature Range	-30°C to 500°C (-22°F to 932°F)
Best Accuracy	$\pm 1.5^\circ\text{C}/\pm 3^\circ\text{F}$ or $\pm 1.5\%$ of reading, whichever is greater
	$\pm 2.0^\circ\text{C}$ @ -30°C to 0°C
	$\pm 1.0^\circ\text{C}$ @ 11°C to 40°C
Display Type	LCD
Distance to Spot Ratio	8:1
Response Time	0.5 s
Spectral response	6.5um ~ 18um
Emissivity	Fixed at 0.95
Display resolution	0.2°C (0.5°F)
Repeatability (% of reading)	$\pm 1^\circ\text{C}$ or $\pm 0.5\%$ of reading, whichever is greater.
Hold Temperature Reading	10 Seconds
Temperature Scale	Centigrade / Fahrenheit
Flashlight	Yes
Low Battery Indication	Yes
Auto Power Off	Yes
Applications	Food preparation / Safety and Fire inspections / Plastic moulding / Asphalt, Marine and Screen Printing / Diesel and Fleet maintenance
Calibration Availability	Yes

Electrical Specifications

Battery Included	Yes
Battery Type	AAA
Battery Life	150 Hours

Mechanical Specifications

Dimensions	20mm x 29mm x 100mm
Length	20mm
Width	29mm
Height	100mm
Weight	40g

Environmental Specifications

Operating temperature	0°C to 50°C
Storage temperature	-20°C to 60°C
Operating humidity	≤80% R.H.

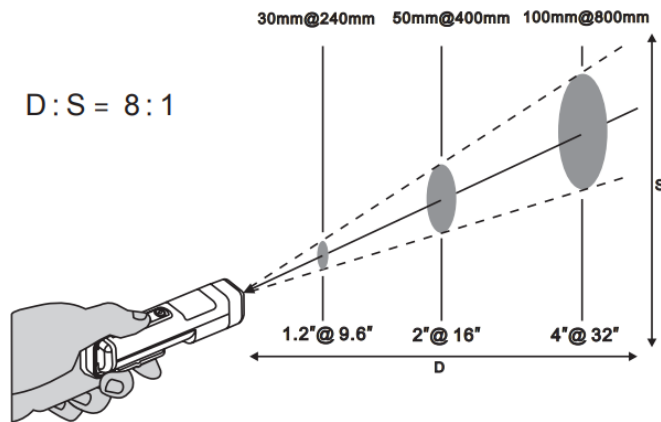
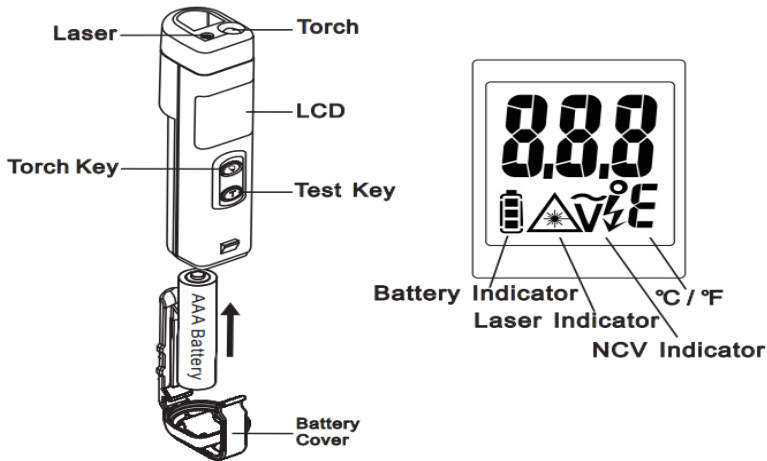
Protection Category

Laser safety	EN 60825-1
---------------------	------------

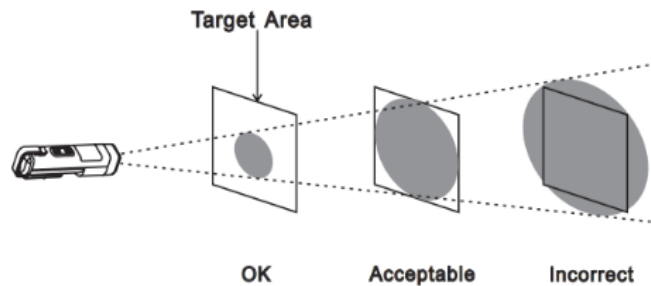
Approvals

Compliance/Certifications	EN 61326-1 / EN 61010-1
Declarations	RoHS Certificate of Compliance





1. The measured area cannot be bigger than target area, or the reading will be incorrect.
2. The minimum measurement area is 3.75 cm (1.5") diameter.



3. It is not recommended for use on measuring shiny or polished metal surfaces (aluminium, stainless steel etc.).
4. Steam, dust, smoke, etc., can prevent accurate measurement by obstructing the tester's optics