



## Tango 38b

915MHz ISM band panel mount puck Antenna



### Key Features

- 915MHz ISM band frequency
- 2dBi Peak Gain
- Adhesive base for dual mounting purposes

### General Description

The Tango 38b is a compact puck shaped antenna tuned to the 915MHz ISM band, achieving a peak gain of 2dBi.

The Tango 38b is suitable for unlicensed band based applications that need a high performance antenna mounted securely and remotely from the modem.

Supplied as standard with an SMA Male connector on 1m of cable. Alternative connectors and cable lengths may be specified for volume orders.

### Additional Considerations

- Suitable for exterior mounting
- Ideal for unlicensed band based applications





## Tango 38b

915MHz ISM band panel mount puck Antenna

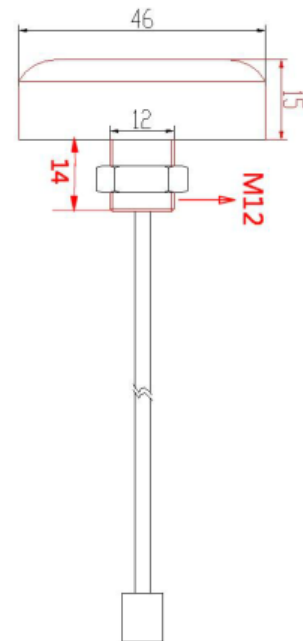
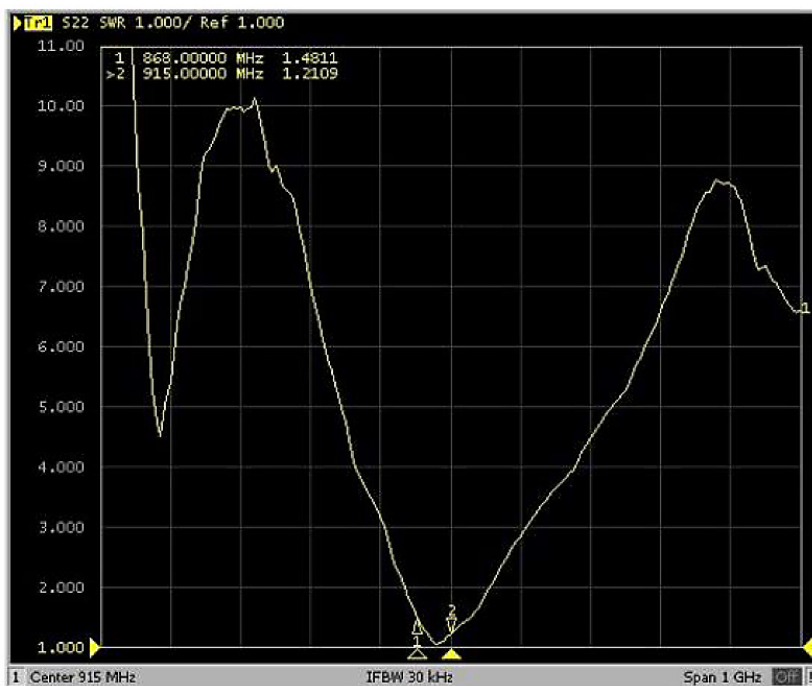
### Electrical Specifications

Impedance:	50 Ohm
VSWR:	≤1.5:1
Peak Gain:	2dBi
Frequency Range:	915MHz
Bandwidth:	10MHz
Power Capacity:	50W
Polarization:	Vertical

### Mechanical Specifications

Operating Temperature:	-30 - +75°C
Storage Temperature:	-30 - +75°C
Dimensions:	46 Ø x 15mm
Cable:	RG174
Connector:	SMA Male
Mounting Method:	12mm screw
Housing:	ABS

### VSWR

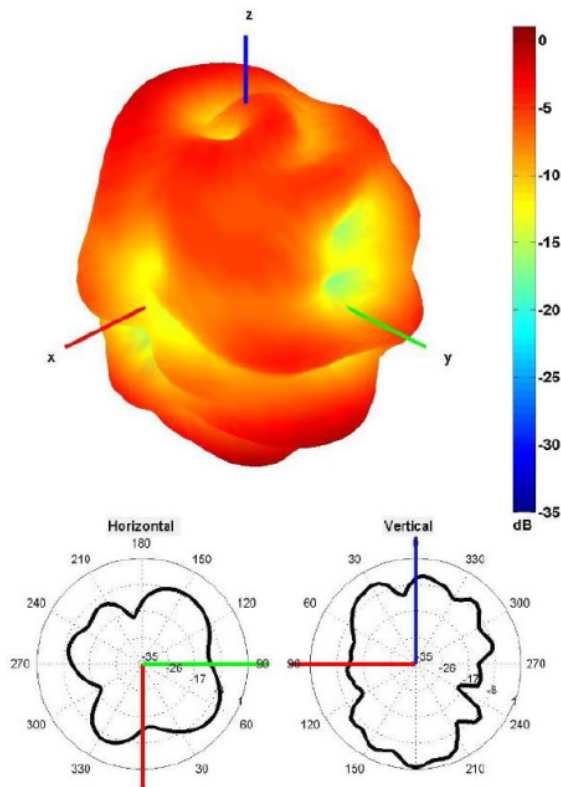




## Tango 38b

915MHz ISM band panel mount puck Antenna

### Radiation Plot - 915MHz



### Ordering Details

Part Number	Description
TANGO38b/1M/SMAM/S/S/17	915MHz ISM band panel mount puck antenna