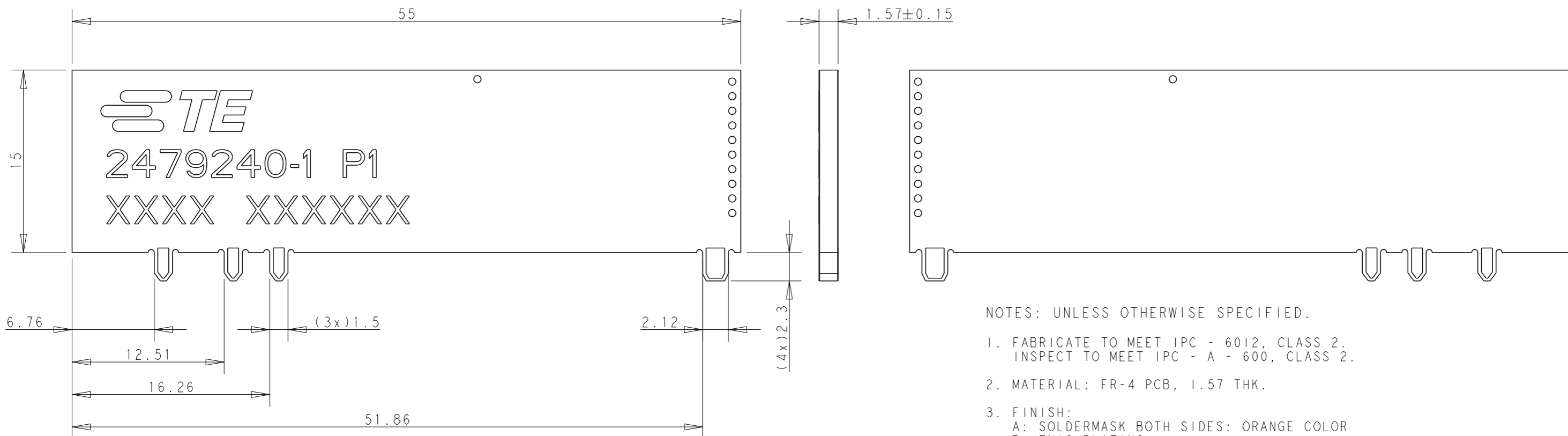


P	LTR	DESCRIPTION	DATE	DWN	APVD
	A	REVISED PER ECN-25-321527	14MAY2025	DW	VK



NOTES: UNLESS OTHERWISE SPECIFIED.

- FABRICATE TO MEET IPC - 6012, CLASS 2. INSPECT TO MEET IPC - A - 600, CLASS 2.
- MATERIAL: FR-4 PCB, 1.57 THK.
- FINISH:
A: SOLDERMASK BOTH SIDES: ORANGE COLOR
B: ENIG PLATING
- SILKSCREEN; WHITE EPOXY INK
A. TE LOGO, TE P/N
B. WORD REV., FOLLOWED BY THE LATEST REVISION LETTER, AS SHOWN.
C. 4 DIGIT DATE CODE: FIRST 2 DIGITS FOR THE WEEK CODE AND THE 2ND TWO DIGITS FOR THE YEAR CODE.
OTHERS: SPECIFIC TE SOURCE CODE NUMBER DIGITS AS REQUIRED
- GENERAL TOLERANCES : ±0.20
- CONSULTS TE CONNECTIVITY DATA SHEET DS2479240.
- PACKAGE SINGULATED PARTS TO BE SECURELY BAG WRAPPED, BAGGED OR VACUUM PACKED IN BULK

VACUUM IN BULK	2479240-1
PACKAGING	PART NUMBER

THIS DRAWING IS A CONTROLLED DOCUMENT.		DWN 14MAY2025 PARK, DONG WOOK	TE Connectivity PCB ANT, SMT, 698-4000MHZ		
DIMENSIONS: mm		CHK 14MAY2025 NOH, SUK JOON			
TOLERANCES UNLESS OTHERWISE SPECIFIED:		APVD 14MAY2025 VANJANI, KIRAN	NAME		
0 PLC ±- 1 PLC ±- 2 PLC ±- 3 PLC ±- 4 PLC ±- ANGLES ±-		PRODUCT SPEC 108-61420	SIZE		
MATERIAL		APPLICATION SPEC -	CAGE CODE A300779	DRAWING NO C-2479240	RESTRICTED TO -
FINISH		WEIGHT 2.70g	SCALE 3:1		
-		CUSTOMER DRAWING	SHEET 1 OF 4		
-			REV A		

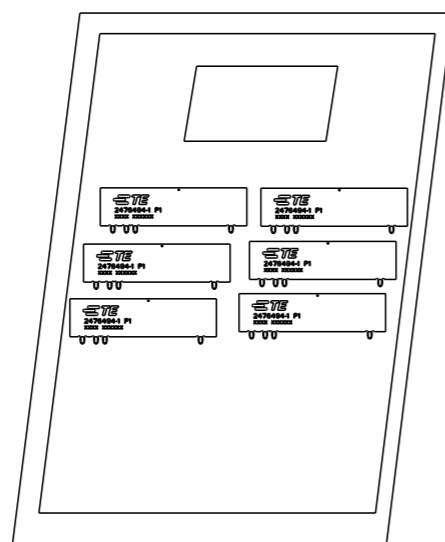
REVISIONS

P	LTR	DESCRIPTION	DATE	DWN	APVD
		SEE SHEET 1			

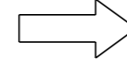
PACKAGING FOR 2479240-1



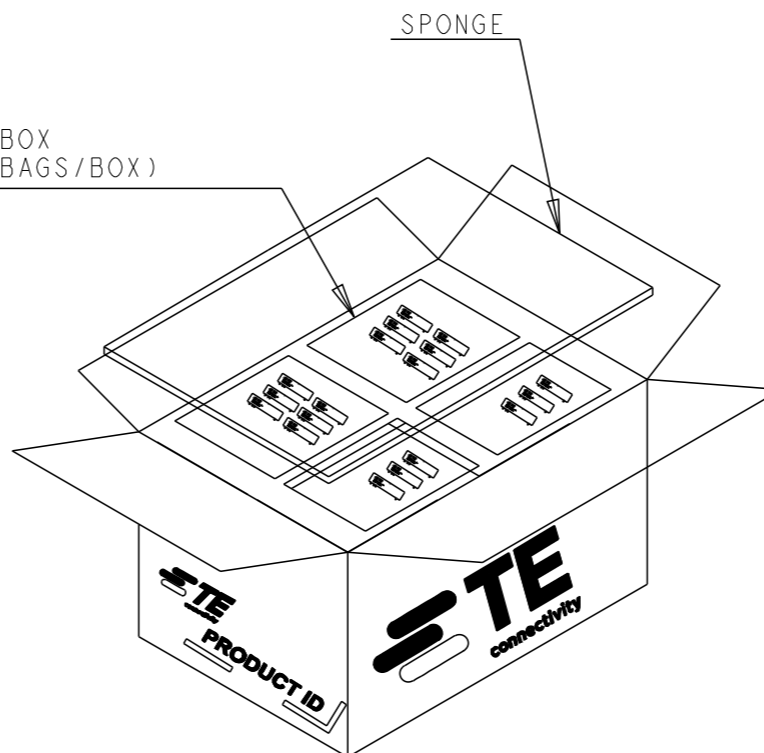
ANTENNA
2479240-1



50PCS / VACUUM BAG
DESICCANT: 1PC/VACUUM BAG

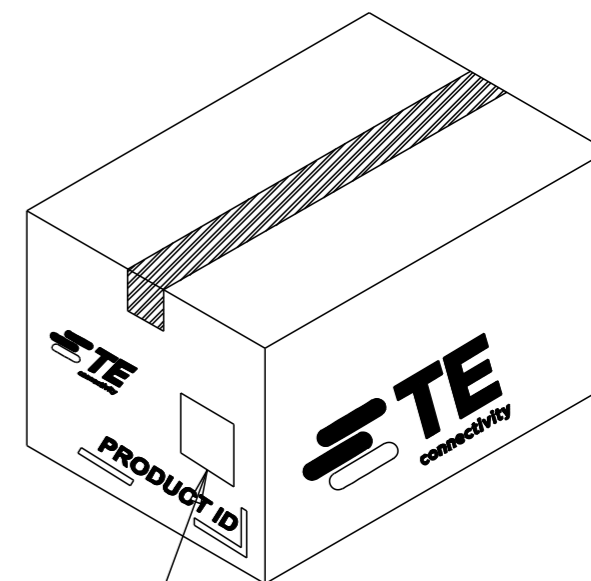
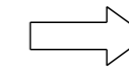


1000PCS/BOX
(WITH 20BAGS/BOX)



SPONGE

SIZE : 320x260x160(mm)



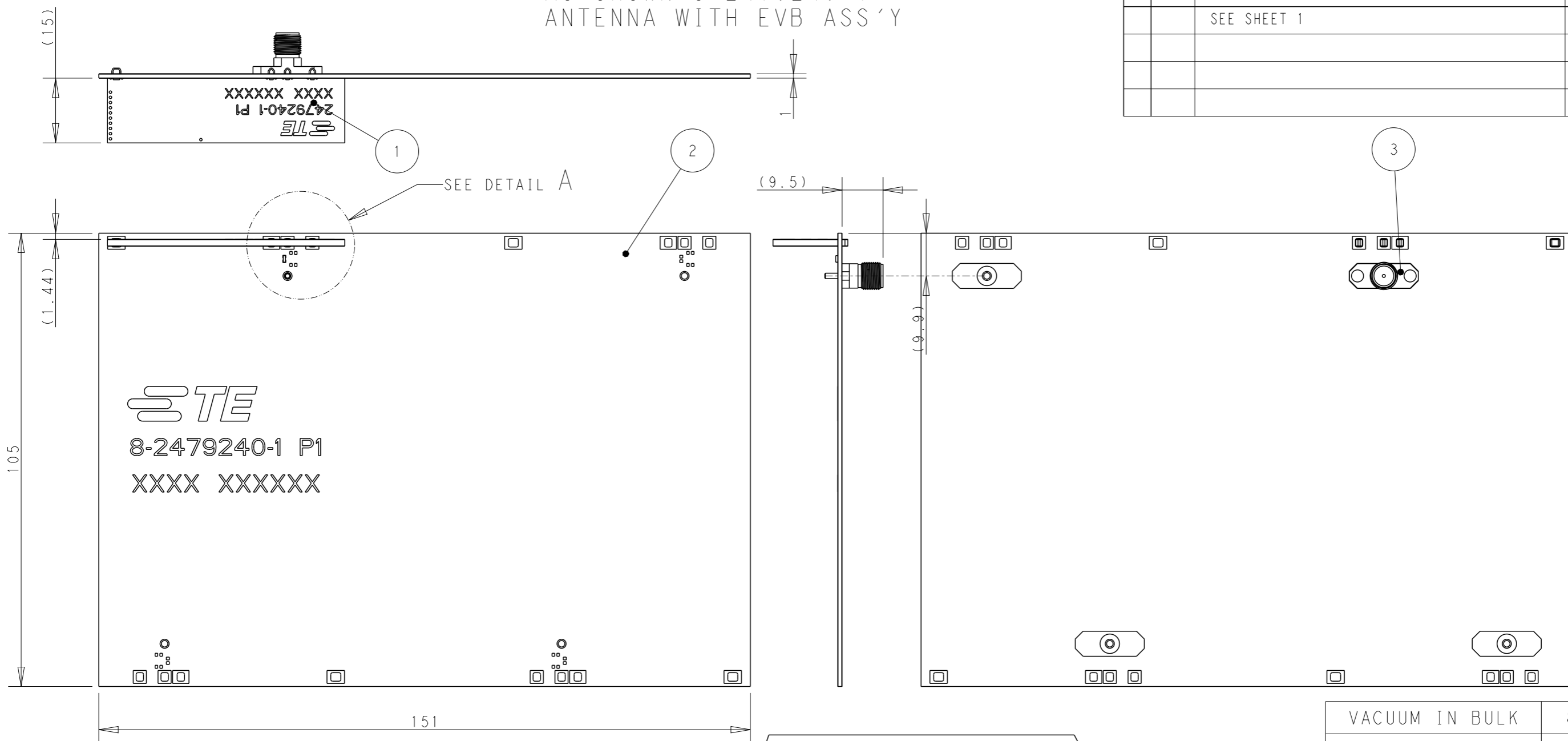
BOX LABEL

THIS DRAWING IS A CONTROLLED DOCUMENT.		DWN 14MAY2025 PARK, DONG WOOK		
		CHK 14MAY2025 NOH, SUK JOON		
DIMENSIONS: mm		APVD 14MAY2025 VANJANI, KIRAN	NAME PCB ANT, SMT, 698-4000MHZ	
		PRODUCT SPEC -	RESTRICTED TO -	
TOLERANCES UNLESS OTHERWISE SPECIFIED:		APPLICATION SPEC -	SIZE A300779	DRAWING NO C-2479240
MATERIAL -		FINISH -	WEIGHT -	SCALE 1:2
		CUSTOMER DRAWING	SHEET 2 OF 4	REV A

AS SHOWN 8-2479240-1
ANTENNA WITH EVB ASS'Y

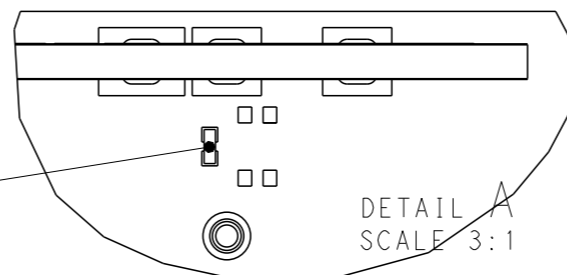
REVISIONS

P	LTR	DESCRIPTION	DATE	DWN	APVD
		SEE SHEET 1			



NOTES: UNLESS OTHERWISE SPECIFIED.

- MATERIAL : SEE TABLE.
- FINISH : EVB ASSEMBLY WITH SOLDER PROCESS
- SILKSCREEN : WHITE EPOXY INK
 A. TE LOGO, TE P/N
 B. WORD REV., FOLLOWED BY THE LATEST REVISION, AS SHOWN/
 C. 4 DIGITS DATE CODE : FIRST 2 DIGITS FOR THE WEEK CODE AND THE 2ND TWO DIGITS FOR THE YEAR CODE.
 OTHERS : SPECIFIED TO SOURCE CODE NUMBER DIGITS AS REQUIRED.
- GENERAL TOLERANCES : ± 0.20
- CONSULTS TE CONNECTIVITY DATA SHEET DS2479240.
- PACKAGING: SECURELY VACUUM PACKAGED IN BULK (REFER TO SHEET 4)



VACUUM IN BULK	8-2479240-1	
PACKAGING	PART NUMBER	
1	RESISTOR(00HM)	4
1	SMA FEMALE CONNECTOR	3
1	EVALUATION BOARD	2
1	2479240-1 ANTENNA	1
Q'TY (PC)	DESCRIPTION	ITEM

THIS DRAWING IS A CONTROLLED DOCUMENT.

DIMENSIONS:	TOLERANCES UNLESS OTHERWISE SPECIFIED:
mm	
	0 PLC $\pm -$
	1 PLC $\pm -$
	2 PLC $\pm -$
	3 PLC $\pm -$
	4 PLC $\pm -$
	ANGLES $\pm -$
MATERIAL	FINISH
-	-
-	-

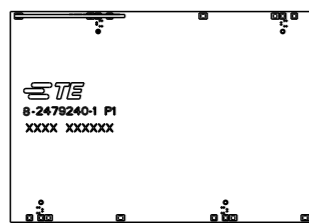
DWN	14MAY2025
PARK, DONG WOOK	
CHK	14MAY2025
NOH, SUK JOON	
APVD	14MAY2025
VANJANI, KIRAN	
PRODUCT SPEC	108-61420
APPLICATION SPEC	-
WEIGHT	-
CUSTOMER DRAWING	

TE Connectivity		NAME	
		PCB ANT, SMT, 698-4000MHZ	
SIZE	CAGE CODE	DRAWING NO	RESTRICTED TO
A3	00779	C-2479240	-
SCALE		SHEET	REV
1:1		3 OF 4	A

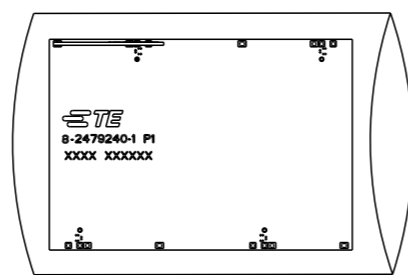
REVISIONS

P	LTR	DESCRIPTION	DATE	DWN	APVD
		SEE SHEET 1			

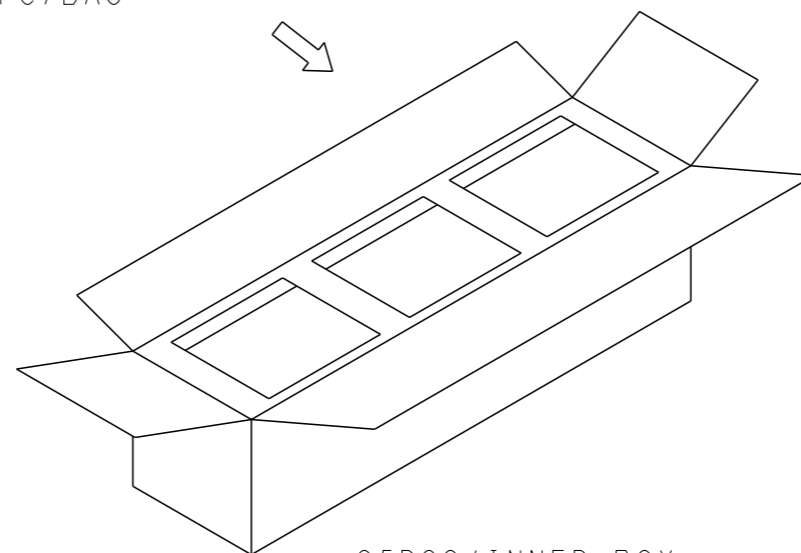
PACKAGING FOR 8-2479240-1



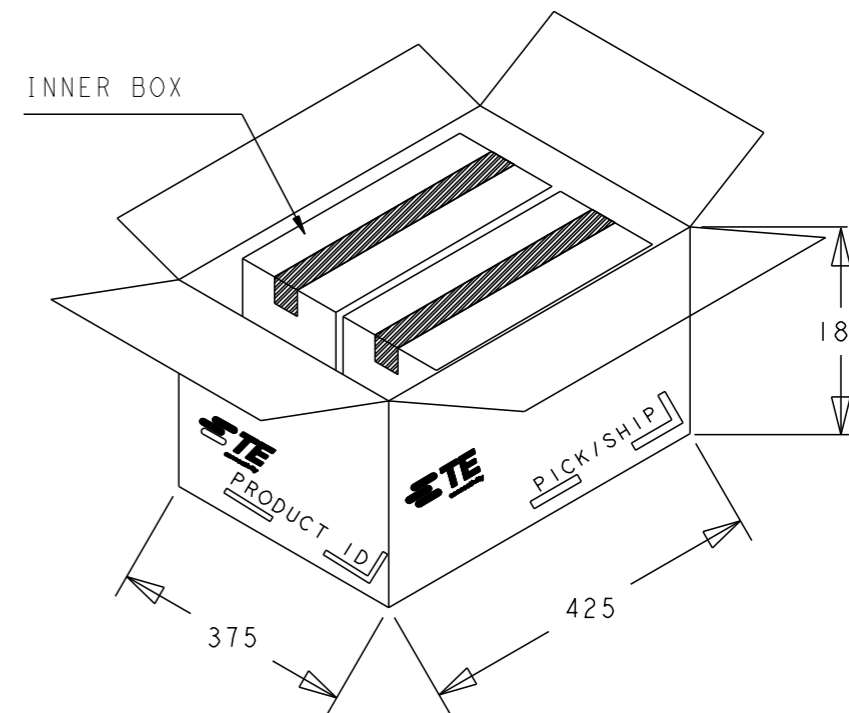
8-2479240-1
ANTENNA WITH EVB ASS'Y



1PC/BAG



25PCS/INNER BOX



50PCS/CARTON
2 INNER BOX/CARTON

THIS DRAWING IS A CONTROLLED DOCUMENT.		DWN 14MAY2025 PARK, DONG WOOK	TE Connectivity		
		CHK 14MAY2025 NOH, SUK JOON			
DIMENSIONS: mm		APVD 14MAY2025 VANJANI, KIRAN	NAME PCB ANT, SMT, 698-4000MHZ		
		PRODUCT SPEC 108-61420	RESTRICTED TO		
TOLERANCES UNLESS OTHERWISE SPECIFIED:		APPLICATION SPEC -	SIZE A3	CAGE CODE 00779	DRAWING NO C-2479240
MATERIAL -		FINISH -	SCALE 1:2		
		WEIGHT -	SHEET 4 OF 4		
		CUSTOMER DRAWING	REV A		