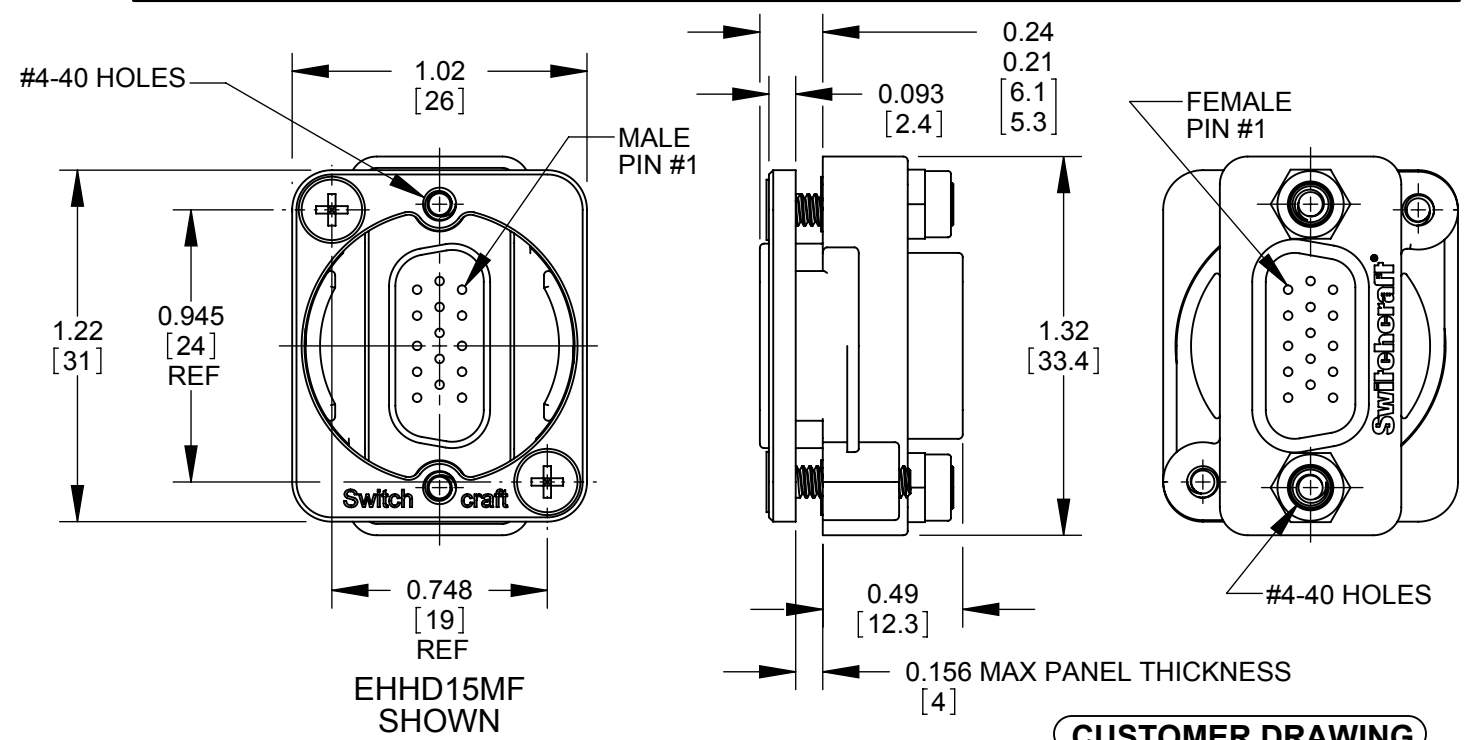
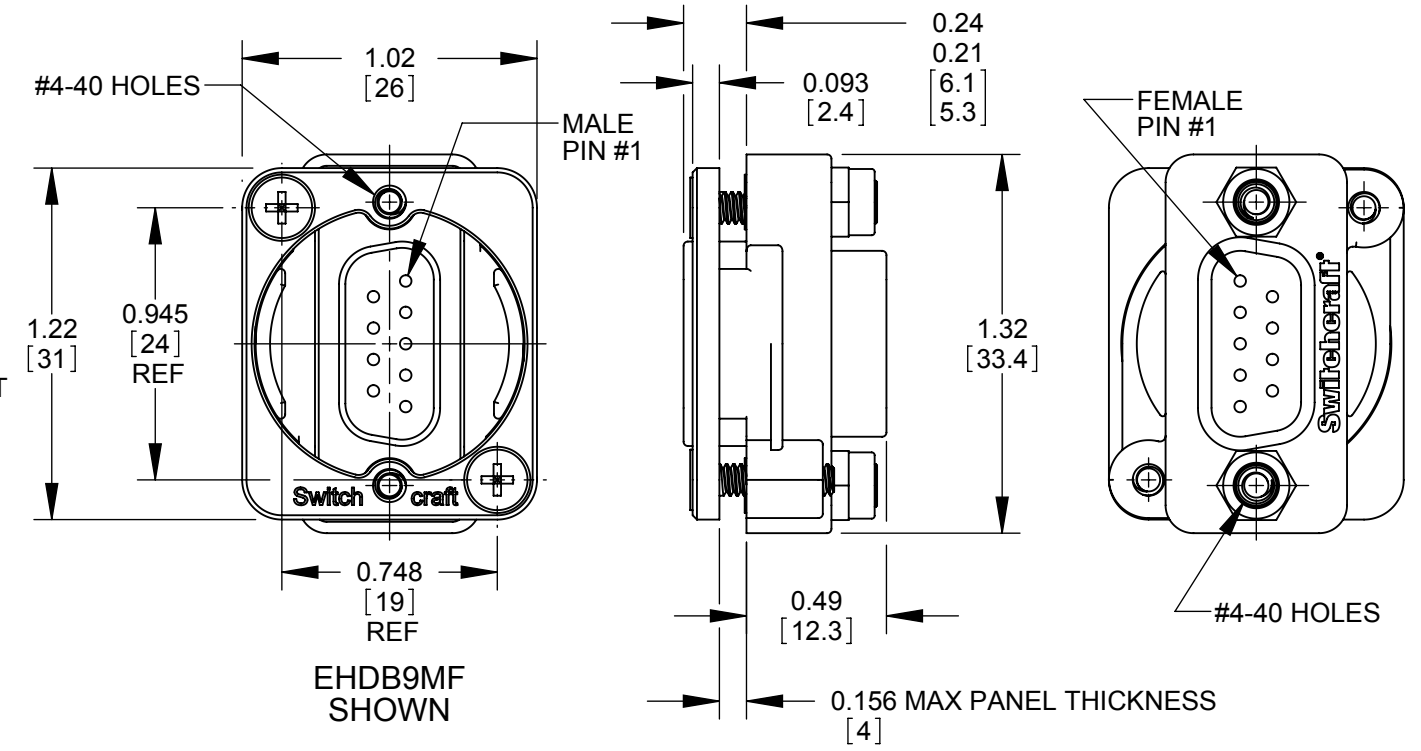


EH * * *

FINISH, FLANGE AND MOUNTING SCREW
BLANK - NICKEL
B - BLACK

GENDER
MM - MALE TO MALE
MF - MALE TO FEMALE
FF - FEMALE TO FEMALE

TYPE OF ADAPTER
DB9 - 9 PIN D-SUB
HD15 - 15 PIN HIGH DENSITY D-SUB



CUSTOMER DRAWING

NOTES:

- MATERIALS:
MOUNTING SCREWS - STEEL, NICKEL OR BLACK OXIDE FINISH.
FRONT FLANGE - BRASS, NICKEL OR BLACK CHROME FINISH.
D SUB ADAPTER:
INSULATOR - PBT GLASS FIBER REINFORCED
CONTACT - BRASS, GOLD PLATED OVER NICKEL
SHELL - NICKEL SILVER, TIN PLATED
HOUSING - PBT, 30% GLASS FIBER
JACKPOST - BRASS, NICKEL PLATED
- PARTS SHIPPED UNASSEMBLED.
- D-SUB CONNECTOR MAY BE ORIENTATED OPPOSITE AS SHOWN AND MALE-FEMALE MAY BE ASSEMBLED WITH THE FEMALE IN FRONT.
- THESE PRODUCTS ARE RoHS COMPLIANT.

REV	ECO NUMBER	DATE	BY	APVD
D	26941	4-12-12	TO	TJK
C	26494	1/22/10	RS	TJK
B	26415	7/17/09	RS	TJK
A	ECO 25822	7/23/08	BS	TJK
REVISIONS				

UNLESS OTHERWISE SPECIFIED

1. ALL DIMENSIONS IN INCHES
- TWO PLACE DECIMALS ±0.02
- THREE PLACE DECIMALS ±0.005

DO NOT SCALE DRAWING

THIS DRAWING DESCRIBES A DESIGN CONSIDERED PROPRIETARY IN NATURE, DEVELOPED AND MANUFACTURED BY SWITCHCRAFT INC. AND IS RELEASED ON A CONFIDENTIAL BASIS FOR IDENTIFICATION PURPOSES ONLY.									
SIZE		WIDTH		MULT		LBS/M		TEMPER	
FINISH SPEC No.						MATERIAL SPEC No.			
FIRST USED ON				SCALE 1.5:1		Switchcraft®			
DATE DRAWN	BY	CHKD	APVD						
9/28/06	JK	JK	JK	9/29/06		SHEET 1 OF 1			
NAME E SERIES D-SUB CONNECTOR, RoHS						PART No. EHDB9 & EHH15 SERIES		REV D	