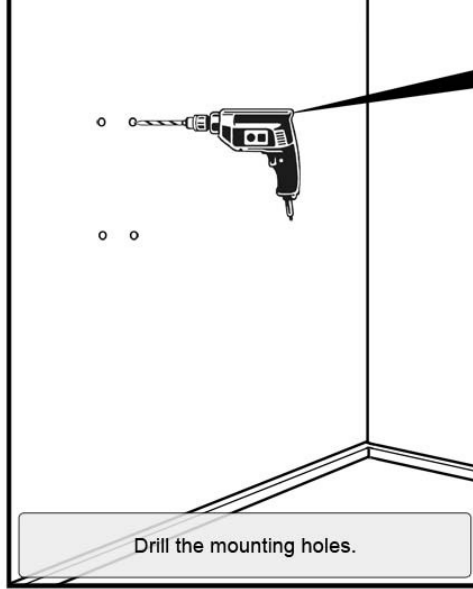
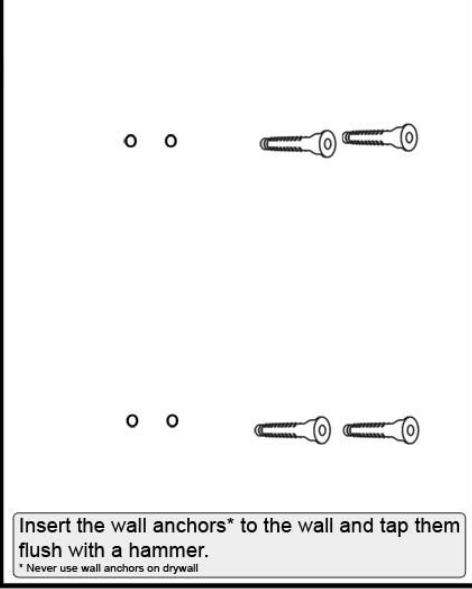


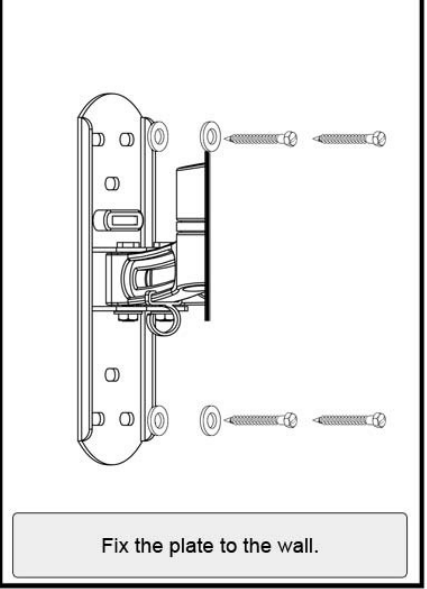
Level the mount and mark.



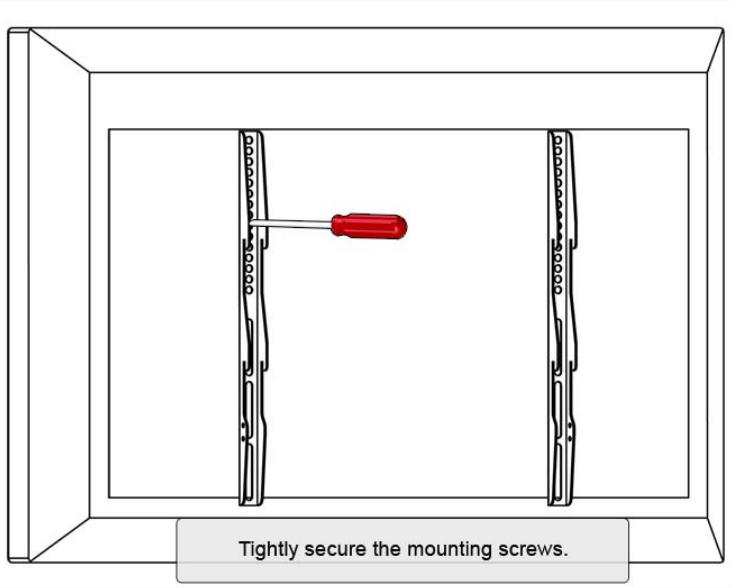
Drill the mounting holes.



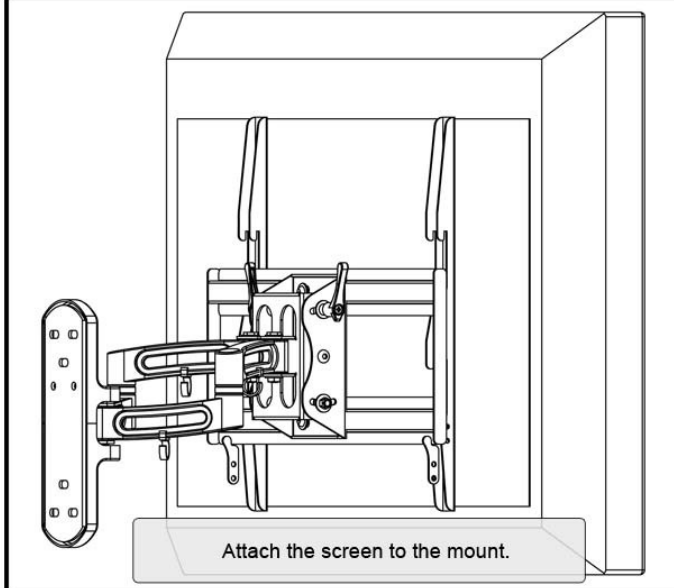
Insert the wall anchors\* to the wall and tap them flush with a hammer.  
\* Never use wall anchors on drywall



Fix the plate to the wall.



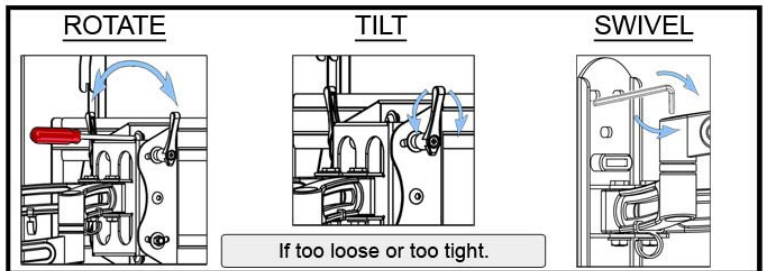
Tightly secure the mounting screws.



Attach the screen to the mount.



Secure the safety lock.  
A small padlock can be used if needed.



ROTATE

TILT

SWIVEL

If too loose or too tight.

**HARDWARE KIT**

