



Brand of NTN Group

## Technical data

### UCF210CC

Bearing units

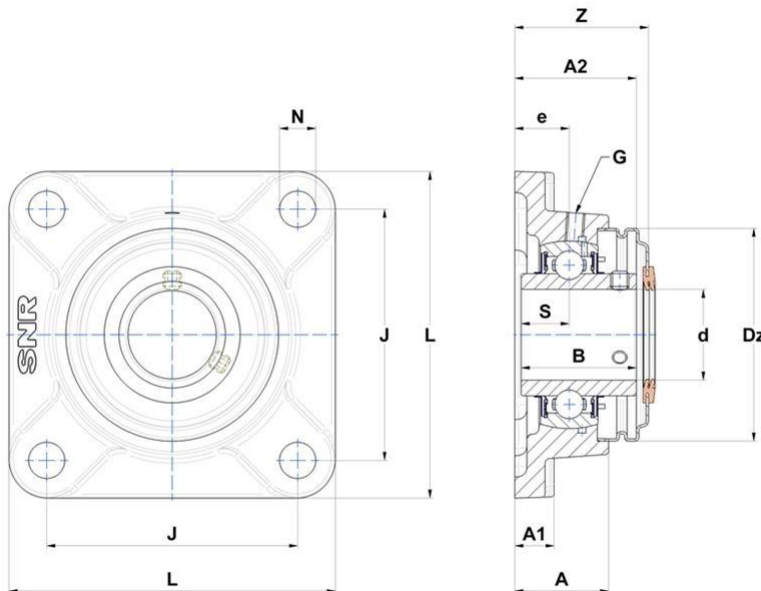


Grey cast housing, radial insert ball bearing with socket set screws, seal with slinger. In the figure, flanged bearing units are presented with open cover. The product you have chosen is equipped with closed cover.

#### KIT CONTENT

UC210G2, SCC210, F210N

#### VISUAL (S)



#### PRODUCT DEFINITION

|   |         |
|---|---------|
| <b>Brand</b>                                    | SNR     |
| <b>A - Housing height</b>                       | 40 mm   |
| <b>A1 - Housing foot height / flange height</b> | 16 mm   |
| <b>A2 - Total height from mounting surface</b>  | 54,6 mm |
| <b>B - Width of Inner Ring</b>                  | 51,6 mm |



**NTN Europe**

1 rue des Usines · BP 2017 · 74010 Annecy Cedex · France · Tel. +33 (0)4 50 65 30 00  
S.A. au capital de 322 639 919 € · RCS ANNECY B 325 821 072 · Id. Fiscale : FR 48 325 821 072  
SIRET 325 821 072 00015 · Code APE 2815 Z · Code NACE 28.15

### PRODUCT DEFINITION

|  |         |
|--|---------|
| <b>d - Shaft diameter</b>                              | 50 mm   |
| <b>Dz - Outer diameter of cover</b>                    | 100 mm  |
| <b>e - Distance mounting surface to bearing center</b> | 22 mm   |
| <b>G - Grease fitting</b>                              | M6x1    |
| <b>J - Mounting holes distance</b>                     | 111 mm  |
| <b>L - Housing width / diameter</b>                    | 143 mm  |
| <b>N - Mounting hole dimension</b>                     | 16 mm   |
| <b>S - Distance front side/bearing centre</b>          | 19 mm   |
| <b>Z - Width over covers</b>                           | 59,3 mm |

### PRODUCT PERFORMANCE

|                                   |             |
|-----------------------------------|-------------|
| <b>C - Dynamic load rating</b>    | 35100000 mN |
| <b>C0 - Static load rating</b>    | 23200000 mN |
| <b>Operating temperature min.</b> | 253,15 °K   |
| <b>Operating temperature max.</b> | 373,15 °K   |

### OTHER FEATURES

|  |          |
|--|----------|
| <b>Mass</b>  | 2,583 kg |
| <b>Recommended tightening torque for set screw</b> | 22 N-m   |

