



## Main

Range of product	Harmony XVU
Product or component type	Modular tower light
Beacon or indicator bank unit type	Buzzer unit
Mounting diameter	60 mm
Component name	XVU
Housing colour	Black

## Complementary

Signalling type	Continuous or intermittent buzzer
Material	PC (polycarbonate) V-0 flame retardant conforming to UL 94 PBT (polybutylene terephthalate) V-0 flame retardant conforming to UL 94 ABS (acrylonitrile butadiene-styrene) V-0 flame retardant conforming to UL 94
Localisation on device	Top
Assembly style	Customer assembly
[Us] rated supply voltage	24 V AC/DC
Power dissipation in W	<= 1.7 W
Acoustic level	85 dB at 1 m
Sound frequency	2635 Hz
Current consumption	<= 70 mA
Length	58 mm
Product weight	0.077 kg

## Environment

product certifications	CE CSA RoHS UL
ambient air temperature for storage	-40...70 °C
ambient air temperature for operation	-25...50 °C
IP degree of protection	IP54

## Offer Sustainability

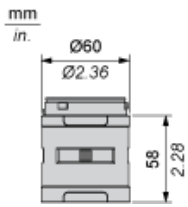
Sustainable offer status	Green Premium product
RoHS (date code: YYWW)	Compliant - since 1422 - Schneider Electric declaration of conformity
REACH	Reference not containing SVHC above the threshold
Product environmental profile	Available
Product end of life instructions	Available

## Contractual warranty

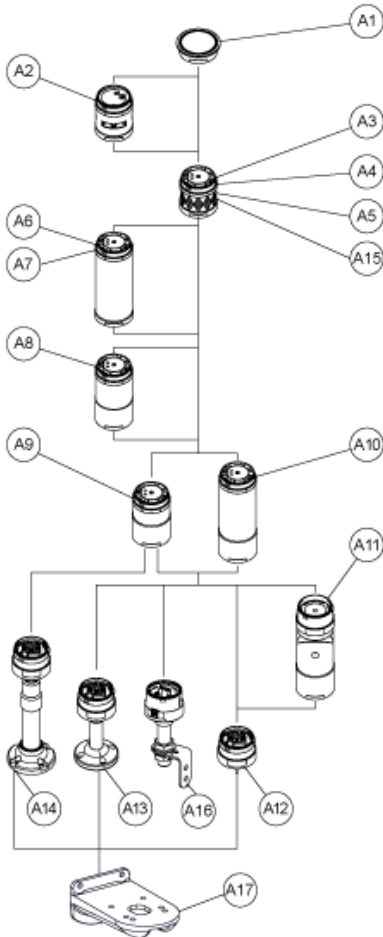
Warranty period	18 months
-----------------	-----------

## Buzzer Unit

## Dimensions



## Modular Tower Lights Mounting

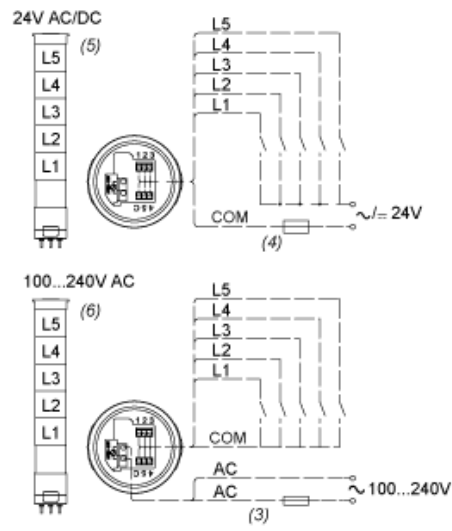
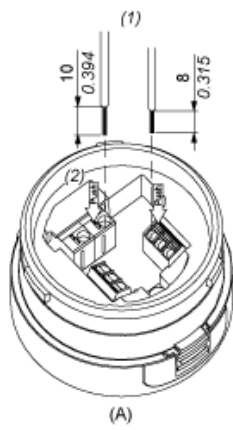


Drawing	Part number	Part name
A1	-	Top cover
	-	Top cover (Silver)
A2	XVUC9S	Buzzer unit
	XVUC9SQ	Buzzer unit (Silver)
A3	XVUC23	Green LED unit
	XVUC24	Red LED unit
	XVUC25	Orange LED unit
	XVUC26	Blue LED unit
	XVUC27	White LED unit
	XVUC28	Yellow LED unit
A4	XVUC29	Multi-LED unit
A5	XVUC29P	Multi-LED unit, Pulse signal
A6	XVUC9V	Sound unit

<b>A7</b>	XVUC9VP	Sound unit, Pulse signal
<b>A8</b>	XVUC020	Extender
	XVUC020Q	Extender (Silver)
<b>A9</b>	XVUC21B	DC body
	XVUC21BQ	DC body (Silver)
<b>A10</b>	XVUC21M	AC body NPN
	XVUC21MP	AC body PNP
	XVUC21MQP	AC body PNP (Silver)
<b>A11</b>	XVUZ06	Flexible option
<b>A12</b>	XVUZ01	Fixing Unit - Direct mounting (3 pins)
	XVUZ01Q	Fixing Unit - Direct mounting (Silver,3 pins)
	XVUZ03	Fixing Unit - Direct mounting (2 pins)
	XVUZ04	Fixing Unit - Direct mounting (4 pins)
<b>A13</b>	XVUZ02	Fixing Unit - Plate with Pole (100 mm)
	XVUZ02Q	Fixing Unit - Plate with Pole (100 mm, Silver)
	XVUZ400	Fixing Unit - Plate with Pole (400 mm)
	XVUZ800	Fixing Unit - Plate with Pole (800 mm)
<b>A14</b>	XVUZ05	Fixing Unit - Plate with adjustment pole (100-385 mm)
<b>A15</b>	XVUC43	Green LED unit, Flash
	XVUC44	Red LED unit, Flash
	XVUC45	Orange LED unit, Flash
	XVUC46	Blue LED unit, Flash
	XVUC47	White LED unit, Flash
	XVUC48	Yellow LED unit, Flash
<b>A16</b>	XVUZ100T	Fixing Unit - Metal bracket with pole (100 mm)
	XVUZ250T	Fixing Unit - Metal bracket with pole(250 mm)
	XVUZ400T	Fixing Unit - Metal bracket with pole (400 mm)
<b>A17</b>	XVUZ12	Fixing plate for use on vertical support - black

### Illuminated Units, Multi-LED and Audible Units Wiring

mm  
in.



- (A) Fixing Unit
- (1) Dimensions of Wiring size
- (2) Push-in Wire Connectors
- (3) Fuse : 2A ,250V
- (4) Fuse : 0.5A ,125V
- (5) Modular Tower Lights 24V AC/DC
- (6) Modular Tower Lights 100...240V AC
- L1 Illuminated LED Units
- to
- L5 :