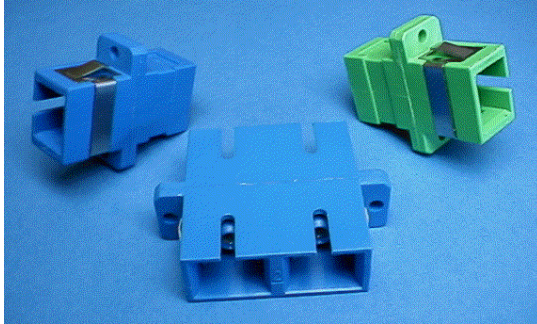


Adapters 953- 944 - 954 Series

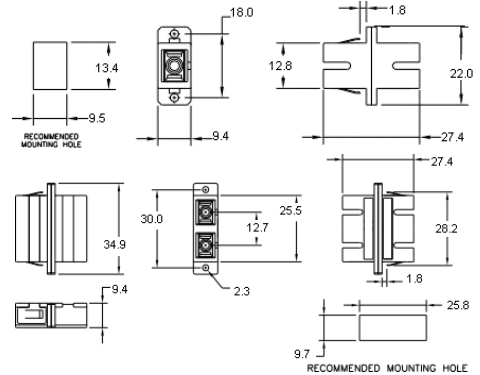
Features :

Adapters are available with either high precision zirconium ceramic or phosphor bronze alignment for superior insertion loss performance

SC ADAPTERS



Line Drawings (dimensions in mm)



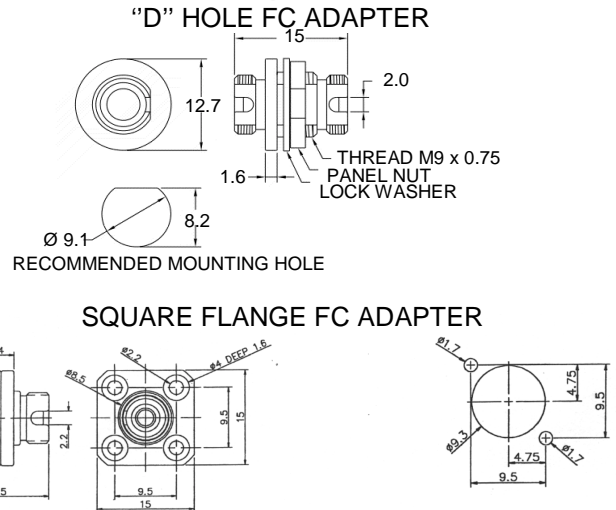
How to order :

Part Number	Description	Singlemode/ Multimode	Packaging
954-120-5000FBP	SC/SC, blue polymer, ceramic alignment sleeve	SM	1 000
954-120-5109FBP	SC APC/SC APC, green polymer, ceramic alignment sleeve	SM	1 000
954-120-5001FBP	SC/SC, blue polymer, bronze alignment sleeve	MM	1 000
954-120-5200FBP	SC/SC Duplex, Blue Polymer, ceramic alignment sleeve	SM	1 000
954-122-5210FBP	SC/SC Duplex, Beige Polymer, bronze alignment sleeve	MM	1 000

FC ADAPTERS



Line Drawings (dimensions in mm)



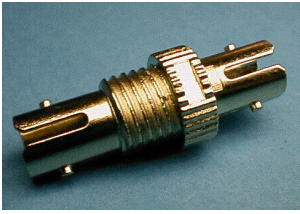
How to order :

Part Number	Description	Singlemode / Multimode	Packaging
944-120-6000FBP	FC/FC, Square Flange, ceramic alignment sleeve	SM	1 000
944-120-6001FBP	FC/FC, Square Flange, Bronze alignment sleeve	MM	1 000
944-125-6003FBP	FC/FC, 'D' Hole, ceramic alignment sleeve	SM	1 000

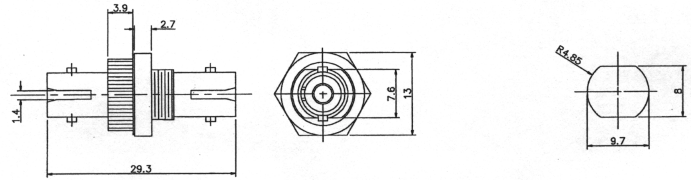
Amphenol

Adapters 953- 944 - 954 Series

ST Adapters



Line Drawings (dimensions in mm)

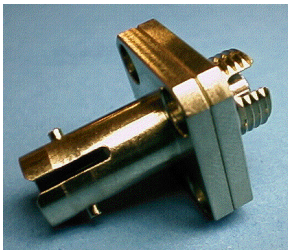


How to order :

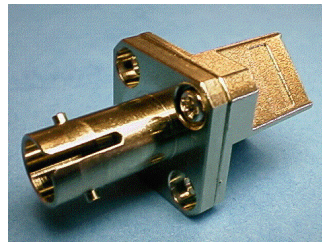
Part Number	Description	Singlemode / Multimode	Packaging
953-120-5000FBP	ST/ST, die cast, ceramic alignment sleeve	SM	1 000
953-122-5003FBP	ST/ST, die cast, bronze alignment sleeve	MM	1 000

Hybrid Adapters :

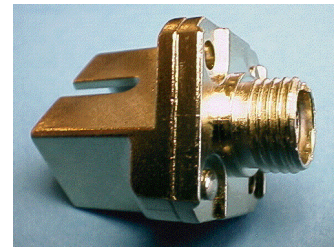
FC/ST Adapters



SC/ST Adapters



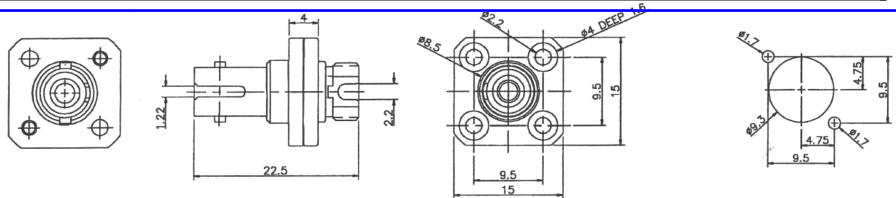
FC/SC Adapters



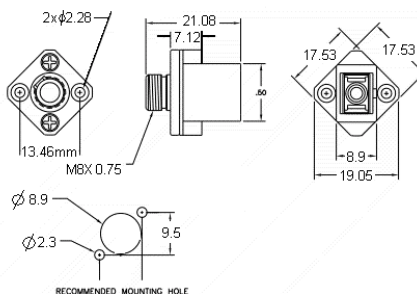
How to order :

Part Number	Description	Singlemode / Multimode	Packaging
954-953-5000FBP	SC/ST, square flange, ceramic alignment sleeve	SM	100
954-953-5001FBP	SC/ST, square flange, bronze alignment sleeve	MM	100
954-944-5001FBP	SC/FC, Square Flange, ceramic alignment sleeve	SM	100
944-953-5300FBP	FC/ST, square flange, ceramic alignment sleeve	SM	100
944-953-5301FBP	FC/ST, square flange, bronze alignment sleeve	MM	100

Line Drawings FC/ST Adapters (dimensions in mm)



Line Drawings FC/SC Adapters (dimensions in mm)



Amphenol

Amphenol Socapex Promenade de l'Arve -B.P.29 - 74311 THYEZ - FRANCE - Tel. :33 (0) 4 50 89 28 53 - Fax : 33 (0) 4 50 89 28 23

email : sales Specifications are subject to change without notice. All statements, information and data system given herein are believed to be accurate and reliable but are presented without warranty. No reproduction without agreement.E559/A . Printed in France by Amphenol Socapex.