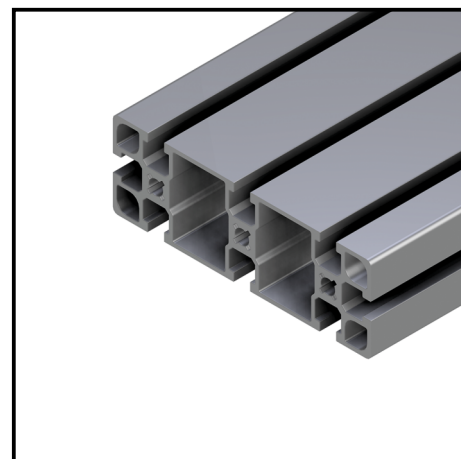
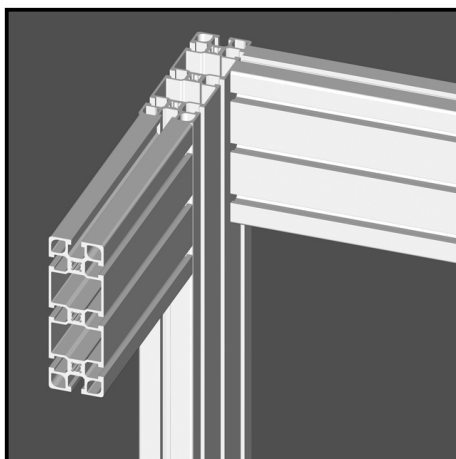
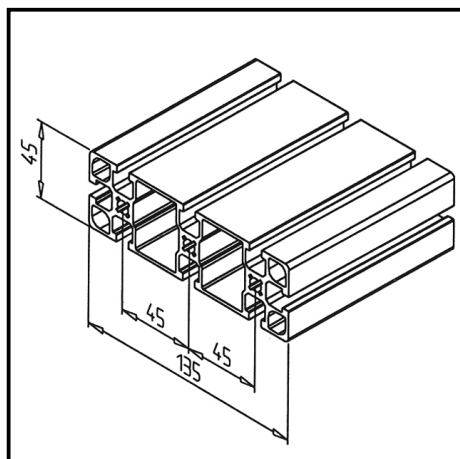


PROFILE 45 X 135 F

Article Nr. 20.1087/0

[See the product on the website](#) →

[Download CAD Files](#) →



TECHN. DATA / ITEMS SUPPLIED

- Aluminium, extruded, anodized E6/EV1
- $I_x = 34.958 \text{ cm}^4$
- $I_y = 307.866 \text{ cm}^4$
- $w_x = 15.537 \text{ cm}^3$
- $w_y = 45.609 \text{ cm}^3$
- $IT = 119.233 \text{ cm}^4$
- Weight = 4.319 kg/m
- Packing unit = 12 m

APPLICATIONS

- All kinds of constructions
- The hollow chamber is designed for receiving and guiding counterweights

ASSEMBLY

- MiniTec power-lock fastener
- Angle 19 / 25 / 45 / 45 x 90 GD-Z
- Bolt connector