

4

3

2

1

THIS DRAWING IS UNPUBLISHED.

RELEASED FOR PUBLICATION

© COPYRIGHT - TE Connectivity Ltd.

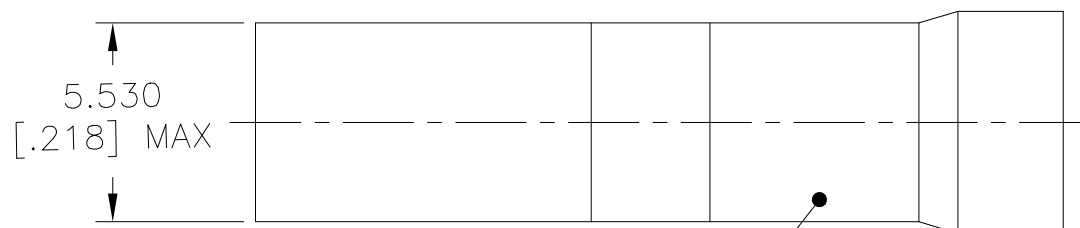
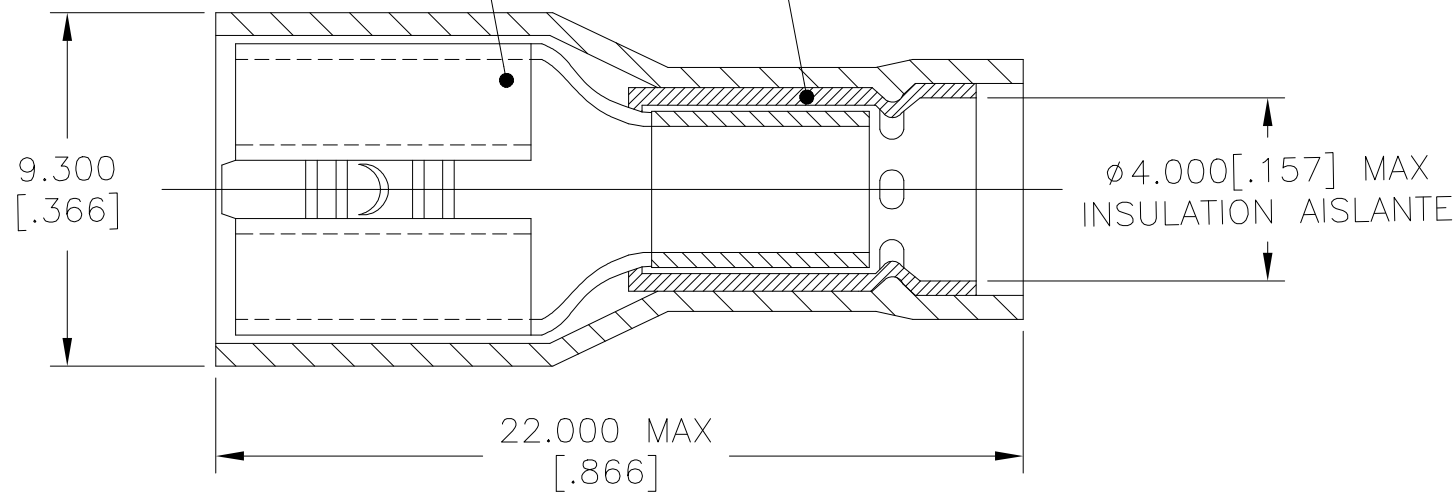
ALL RIGHTS RESERVED.

REVISIONS

P	LTR	DESCRIPTION	DATE	DWN	APVD
	L2	REVISED PER ECO-14-018463	11MAY15	-	PS
	L3	REVISED PER ECO-19-016648	21NOV2019	RS	DR

BODY
CUERPO RECEPTACULO

SLEEVE
COBRE



INSULATION
AISLANTE

1. MATERIAL:
 BODY: SEE TABLE
 SLEEVE: COPPER PER ASTM B152
 INSULATION: POLYAMIDE 6/6 (NYLON) PER ASTM D4066

MATERIAL:
 CUERPO: VER TABLA
 MANGA: COBRE POR ASTM B152
 AISLAMIENTO: POLIAMIDA 6/6 (NYLON) POR ASTM D4066

2. FINISH:
 BODY: TIN PLATE 0.002 [.000079]
 MIN EXT THICK PER ASTM B545
 SLEEVE: NONE
 INSULATION COLOR: RED

TERMINAR:
 CUERPO: HOJA DE HOJALATA 0.002 [.000079]
 ESPESOR MÍNIMO EXT. POR ASTM B545
 MANGA: NINGUNA
 COLOR DE AISLAMIENTO: ROJO

3. WIRE RANGE: 2.5 [.098] - 3.0 [.118] mm² [13 AWG]
 GAMA DE ALAMBRE: 2.5 [.098] - 3.0 [.118] mm² [13 AWG]

LOOSE PIECE PIEZA SUELTA	100	PHOS BRONZE PER ASTM B103 LATON ESTANADO POR ASTM B103	735160
PACKAGE TYPE TIPO DE PAQUETE	QTY CANTIDAD	BODY MATL. CUERPO MATL.	PART NUMBER NÚMERO DE PIEZA

THIS DRAWING IS A CONTROLLED DOCUMENT.		DWN RAVI S	15NOV2019	STE TE Connectivity	
DIMENSIONS: mm [INCHES]		CHK DANIEL ROHDE	15NOV2019		
TOLERANCES UNLESS OTHERWISE SPECIFIED:		APVD DANIEL ROHDE	15NOV2019	NAME FULLY INSULATED FASTON RCPT 6.35 MM (BLUE) RECEPTÁCULO FASTON 6.35 MM AISLADO (AZUL)	
0 PLC ± - 1 PLC ± - 2 PLC ± - 3 PLC ± 0.500 [.019] 4 PLC ± - ANGLES ± -		PRODUCT SPEC -	APPLICATION SPEC -	SIZE A3	CAGE CODE 00779
MATERIAL SEE TABLE	FINISH 2	WEIGHT -	DRAWING NO 735160	RESTRICTED TO -	
CUSTOMER DRAWING			SCALE 5:1	SHEET 1 OF 1	REV L3