



# External power supplies



AC/DC Single Output Desk top Type

250~300 Watts Max.

EA1300 Series



## Features

- Active PFC function
- CEC compliance
- RoHS compliance
- IEC320 C14
- Over voltage protective installation
- Over current protective installation
- Over temperature protective installation
- Short circuit protective installation
- LED indication
- MTBF: >30,000 hours

## Electrical Specifications

RS STOCK NO.	MODEL NO.	MAX OUTPUT POWER (W)	VOLTAGE (Vo)	MIN. LOAD (Lo)	MAX. LOAD (Lo)	LOAD REGULATION	LINE REGULATION	RIPPLE & NOISE
819-3986	EA13001C(D03)	250W	12V	0	20.85A	± 5%	± 1%	1.5%
819-3989	EA13001N(D02)	300W	24V	0	12.5A	± 5%	± 1%	1.5%

### NOTE:

- 1: Ripple & Noise is measured by using 20MHz bandwidth limited oscilloscope and terminated each output with a 0.1uF ceramic capacitor & parallel with 47uF aluminum capacitor at full load and nominal line.
- 2: Line regulation is defined by changing ±10% of input voltage from nominal line at rated load.
- 3: Max. Power (W) ≥Vo x Io

## Electrical Specifications

### INPUT

- Input range 100 to 240 VAC
- Frequency 50 to 60Hz
- Input current ≤4A
- Inrush current ≤150A at cold start
- Efficiency meets CEC Level V, VI
- Hold up time ≥8.3mS
- Turn on time ≤3s

### OUTPUT

- Over voltage protection latch off
- Short circuit protection auto recovery
- Over current protection auto recovery
- Over temperature protection latch off

### ENVIRONMENTAL

- Operating temperature 0 to 40°C
- Storage temperature -20 to 85 °C
- Storage humidity 5% to 95%

### SAFETY

- UL60950-1, EN60950-1, IEC60950-1,

## Mating connector and contacts

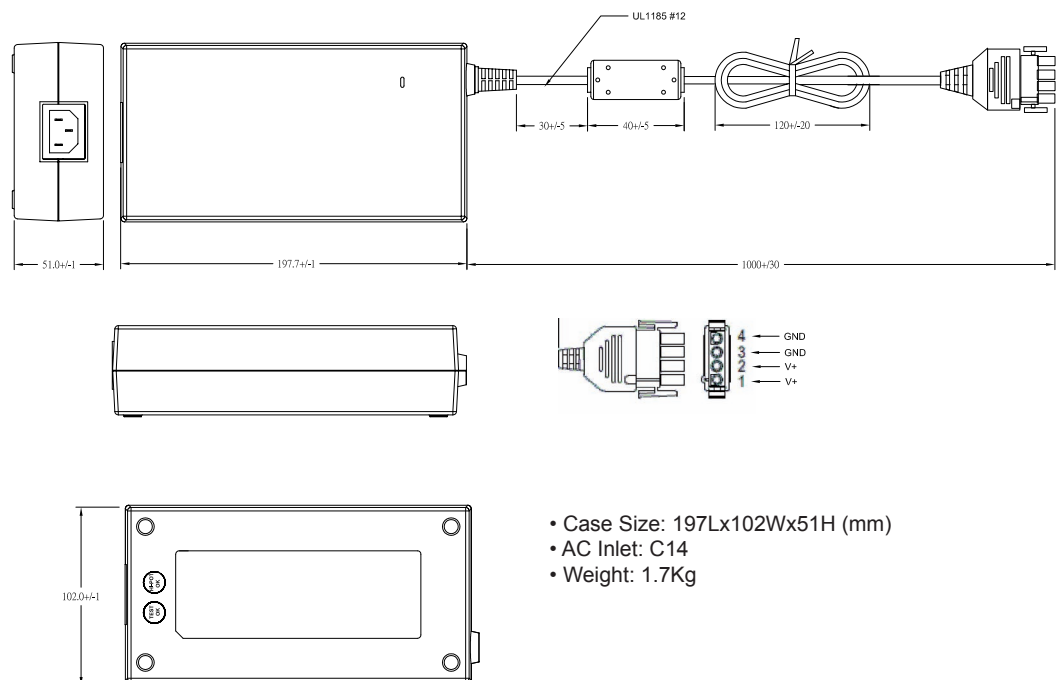
### 4 way panel / in-line connector

TE Connectivity part number 1-480703  
RS Components part number 848-931

### Mate-N-Lok contact socket 20-14 awg

TE Connectivity part number 926893-3  
RS Components part number 172-9342

## Mechanical Specification



- Case Size: 197Lx102Wx51H (mm)
- AC Inlet: C14
- Weight: 1.7Kg