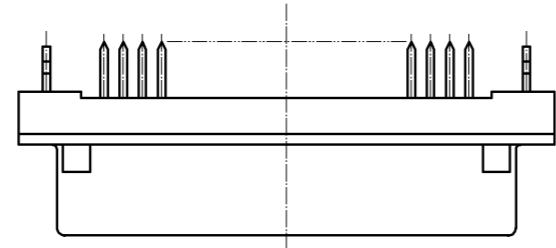
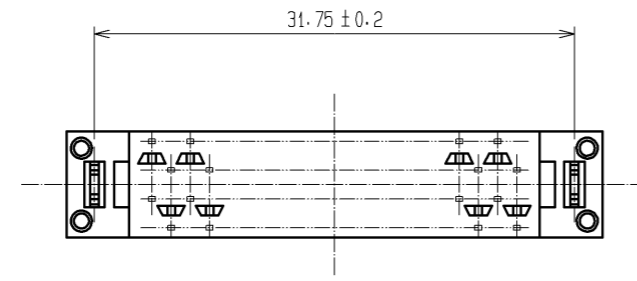
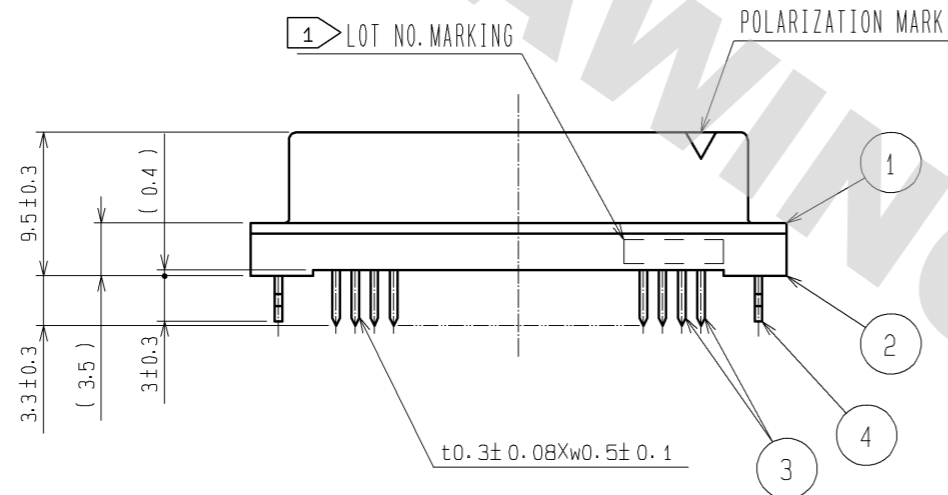
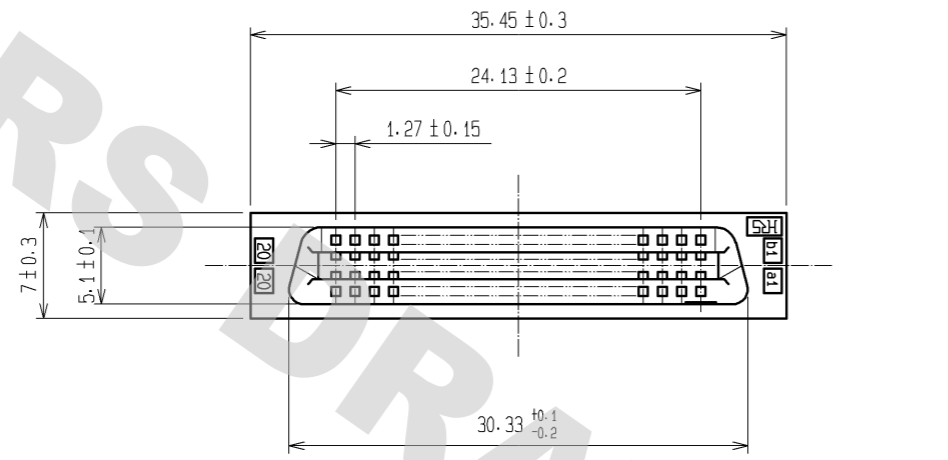
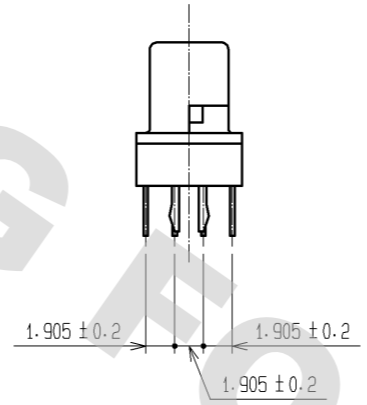
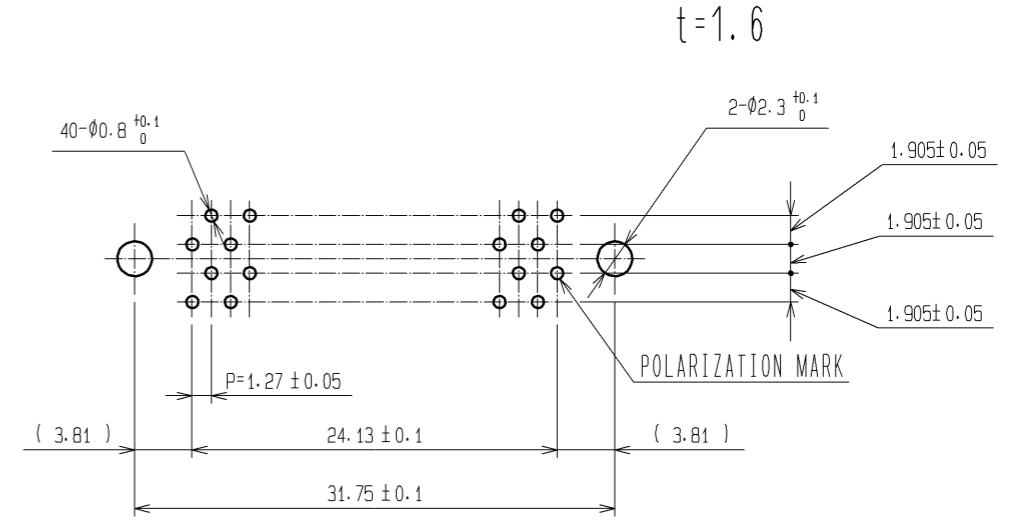


DRAWING FOR REFERENCE: This is subject to change without notice  
08/11/2012



RECOMMENDED PC BOARD HOLE PATTERN (MOUNTING SIDE)



- NOTES  
 1. LOT NO. MARKING SIDE SHALL BE OPTIONAL.  
 2. THE DIMENSIONS IN PARENTHESES ARE FOR REFERENCE.

4	PHOSPHOR BRONZE	TIN-PLATING	3	PHOSPHOR BRONZE	CONTACT AREA : GOLD 0.2μm min. DIP AREA : TIN-PLATING 2μm min. UNDER PLATING : NICKEL 2μm min.			
1,2	POLYAMIDE	BLACK , UL94V-0						
NO.	MATERIAL	FINISH , REMARKS	NO.	MATERIAL	FINISH , REMARKS			
UNITS mm		SCALE 2 : 1		COUNT	DESCRIPTION OF REVISIONS	DESIGNED	CHECKED	DATE
<b>HRS</b> HIROSE ELECTRIC CO., LTD.		APPROVED : HS. OKAWA	08.05.24	DRAWING NO. EDC3-083237-21				
		CHECED : HS. OZAWA	08.05.24	PART NO. FX2CA-40S-1.27DSAL(71)				
		DESIGNED : KY. NAKAMURA	08.05.23	CODE NO. CL572-2553-5-71				
		DRAWN : KY. NAKAMURA	08.05.23					