

# SILENCERS

## SERIES 29

Series: 2901 - 2903 - 2921 - 2931 - 2928 - 2929 - 2905  
 Ports: M5, G1/8, G1/4, G3/8, G1/2, G3/4, G1  
 Ø 4, 6, 8, 10, 12 mm



The silencers are indispensable elements for eliminating or reducing the characteristic noise of compressed air during discharge operations.

They should always be placed on the outlets of 3/2, 5/2 or 5/3-way valves.

When carrying out maintenance, the silencers should be degreased using white spirit or paraffin and compressed air blown through them in the opposite direction to operation.

Flow rate: determined with inlet supply 6 bar and output in atmosphere.

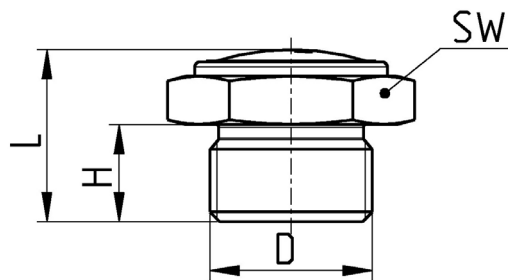
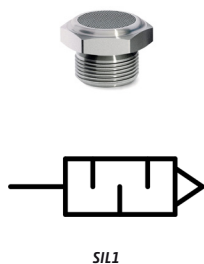
Noise level: determined through a test which is carried out using a phonometer.

Placing the phonometer one meter away from the application at the same height for a period of ten seconds gives an average reading of the noise generated.

### General Data

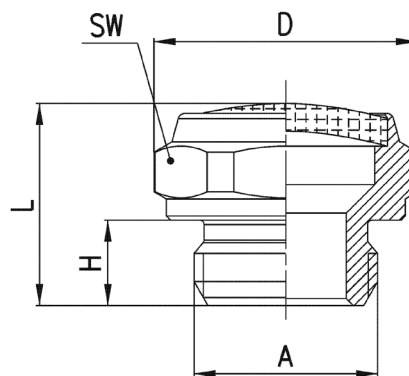
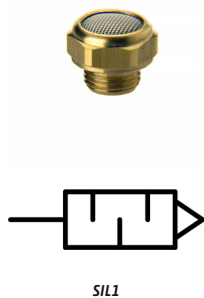
<b>Construction</b>	Body with male and female thread
<b>Materials used for body</b>	X2901: 316L Stainless steel 2901 - 2903: Brass 2921 - 2931: Coppering steel 2928 - 2929: Polyethylene
<b>Materials used for silencing</b>	X2901: Stainless steel 2901 - 2903: Stainless steel 2921 - 2931: Bronze (sintered) 2928 - 2929: Polyethylene (sintered)
<b>Ports</b>	M5 - G1/8 - G1/4 - G3/8 - G1/2 - G3/4 - G1 1/8NPT, 1/4NPT, 3/8NPT, 1/2NPT, 3/4NPT, 1NPTØ 4, 6, 8, 10, 12 mm

**Stainless steel 316L silencer Mod. X2901**



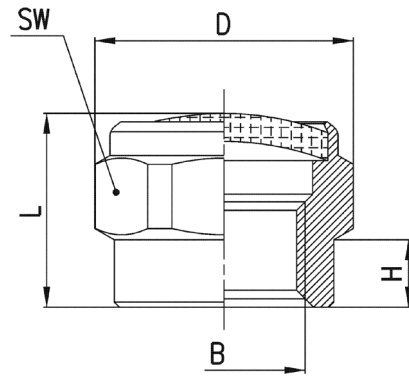
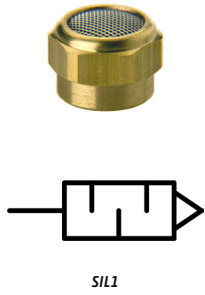
Mod.	D	H	L	SW	Max. operating pressure [bar]	Flow rate (NI/min)	Noise db (A)
X2901 1/8	G1/8	8	15	14	10	700	76
X2901 1/4	G1/4	8	14	17	10	1000	78
X2901 3/8	G3/8	10	18	22	10	1500	76
X2901 1/2	G1/2	12	22	27	10	3400	86
X2901 3/4	G3/4	15	27	32	6	4100	87
X2901 1	G1	18	34	41	6	7600	88
X2901 1/8PT	1/8 NPT	7	14	14	10	700	76
X2901 1/4PT	1/4 NPT	11	17	17	10	1000	78
X2901 3/8PT	3/8 NPT	11	19	22	10	1500	76
X2901 1/2PT	1/2 NPT	15	25	27	10	3400	86
X2901 3/4PT	3/4 NPT	16	28	32	6	4100	87
X2901 1PT	1 NPT	19	35	41	6	7600	88

**Silencers Series 2901**



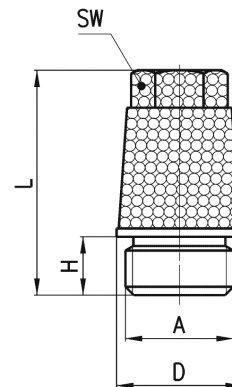
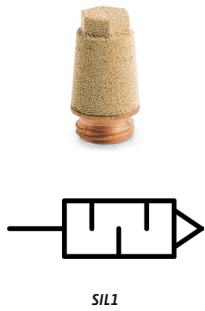
Mod.	A	D	H	L	SW	Max. operating pressure [bar]	Flow rate [NI/min]	Noise db (A)
2901 M5	*	M5	9	4	8,5	10	150	66
2901 1/8		G1/8	15,3	5	12	14	700	76
2901 1/4-17		G1/4	18,5	6	14	17	1000	78
2901 1/4-22		G1/4	23,5	6	15	22	1600	80
2901 3/8		G3/8	23,5	7	16	22	1500	76
2901 1/2		G1/2	29,5	8	17,5	27	3400	86
2901 3/4		G3/4	34	9	20	32	4100	87
2901 1		G1	43	11	24,5	40	7600	88

## Silencers Series 2903



Mod.	B	D	H	L	SW	Max. oper. pressure	Flow rate [NL/min]	Noise db (A)
2903 1/8	G1/8	15,3	4	11	14	10	700	74

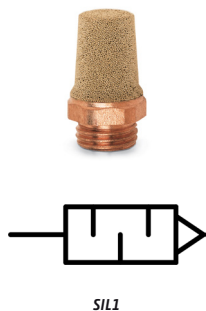
## Silencers Series 2921



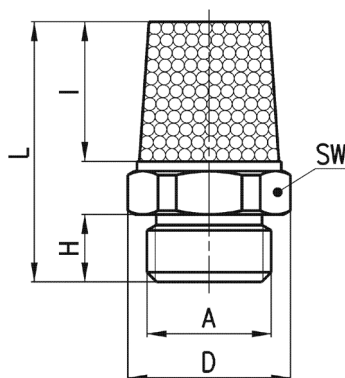
Mod.	A	D	H	L	SW	Max. oper. pressure	Flow rate [NL/min]	Noise db (A)
2921 1/8	G1/8	12	4,5	21,5	8	10	1730	81
2921 1/4	G1/4	15	6	28	10	10	3300	85
2921 3/8	G3/8	19	8	37	13	10	4250	79
2921 1/2	G1/2	23	9	43,5	15	10	6800	87
2921 3/4	G3/4	30	10	56	19	10	9800	84
2921 1	G1	37	12	67	24	10	10900	86

SILENCERS  
SERIES 29 - DIMENSIONS

Silencers Series 2931

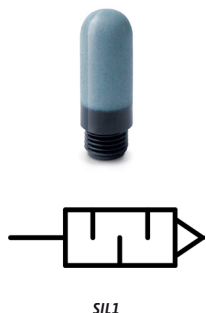


SIL1

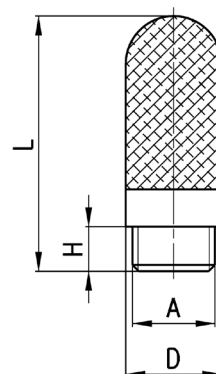


Mod.	A	D	H	I	L	SW	Max. oper. pressure	Flow rate [NI/min]	Noise db (A)
2931 M5	M5	7,7	4	8	16,5	7	10	450	69
2931 M7	M7	9	5	8,5	20	8	10	1130	76
2931 1/8	G1/8	13	4,5	13	21	12	10	1927	88
2931 1/4	G1/4	16,2	6	16,5	27	15	10	3200	86
2931 3/8	G3/8	20	7	23	35,5	19	10	4560	81
2931 1/2	G1/2	24,5	8	28	42	23	10	6800	87
2931 3/4	G3/4	32	9	37	54	30	10	9600	84
2931 1	G1	38,5	11	47	67	36	10	10800	86

Silencers Series 2928

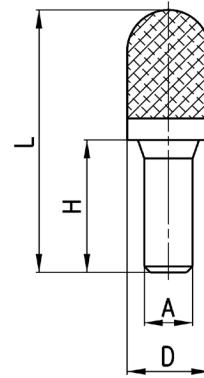
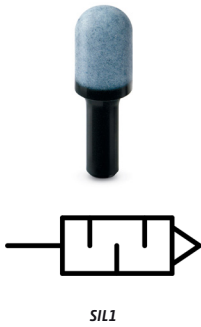


SIL1



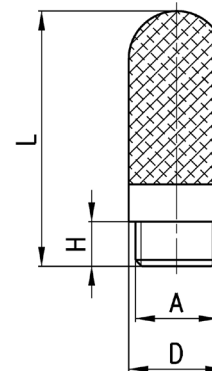
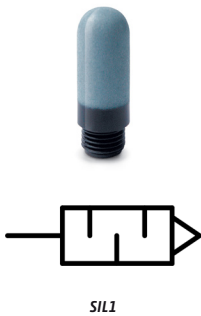
Mod.	A	D	H	L	Max. oper. pressure	Flow rate [NI/min]	Noise db (A)
2928 M5	M5	6,5	4	21,5	10	320	69
2928 1/8	G1/8	12,9	6,5	34,5	10	1450	67
2928 1/4	G1/4	16,6	7	42,5	10	2730	72
2928 3/8	G3/8	18,8	11,5	67,5	10	6450	74
2928 1/2	G1/2	24,8	10,5	79,5	10	8350	87
2928 3/4	G3/4	38	15	139	10	14475	96

## Silencers Series 2929



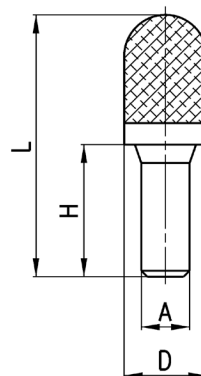
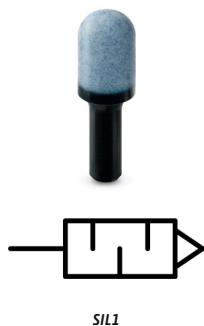
Mod.	A	D	H	L	Max. oper. pressure	Flow rate [NL/min]	Noise db (A)
2929 4	4	7	15,5	31,5	10	380	66
2929 6	6	12,5	20,5	45	10	660	80
2929 8	8	13,5	21,5	43,5	10	1300	83
2929 10	10	15,5	26,5	57,5	10	2800	92
2929 12	12	18,5	29	83	10	4200	94

## Silencers Series 2938



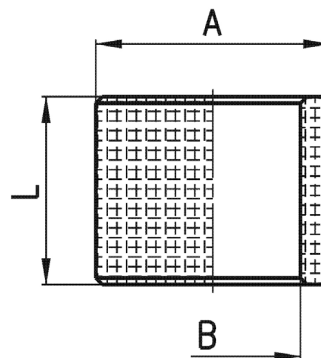
Mod.	A	D	H	L	Max. oper. pressure	Flow rate [NL/min]	Noise db (A)
2938 M5	M5	6,5	4,1	23	10	546	67
2938 1/8	G1/8	12,5	5,7	34	10	1441	75
2938 1/4	G1/4	15,5	7	42,5	10	2752	79
2938 3/8	G3/8	18,5	11,5	67,5	10	4735	73
2938 1/2	G1/2	23,5	11	77	10	8534	86

**Silencers Series 2939**



Mod.	A	D	H	L	Max. oper. pressure	Flow rate (NI/min)	Noise db (A)
2939 4	4	7	16	32	10	335	80
2939 6	6	12,5	20,5	45	10	632	79
2939 8	8	13,5	21,5	43,5	10	1229	89
2939 10	10	15,5	26,5	57,5	10	2650	87

**Silencing bush Series 2905**



Mod.	A	B	L
2905 1/8	14	10	14.5
2905 1/4	18	13.5	14.5
2905 3/8	21	16.8	14.5