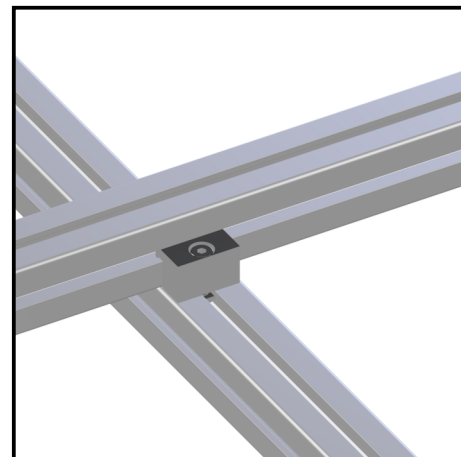
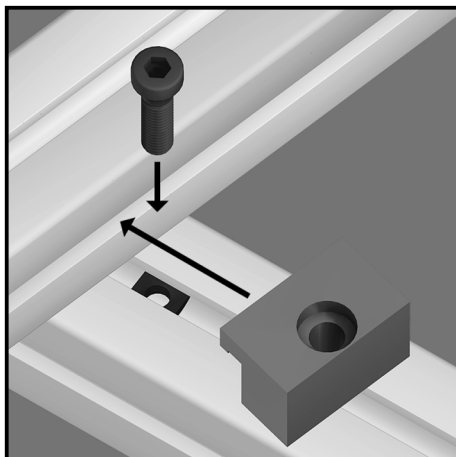
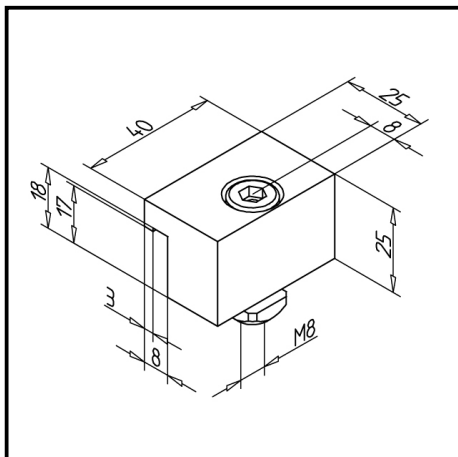


CLAMPING CLAW

Article Nr. 21.1027/0

[See the product on the website](#) →

[Download CAD Files](#) →



TECHN. DATA / ITEMS SUPPLIED

- Aluminium, anodized E6/EV1
- With fastening material steel, zinc plated
- Weight = 0.063 kg/piece

APPLICATIONS

- Parallel connection of profiles at various angles

ASSEMBLY

- Fasten to profile groove with supplied hardware
- No machining required