


Ordering number CA12376_TINA2-SS

Family	Tina2	FWHM	(simulated) 23
Type	Assembly	Efficiency	(simulated) 92 %
LED	SFH 4715S (IR)	cd/lm	-
Color	Black	Gerber File	Available
Diameter	16 mm		
Height	9.26 mm		
Style	Round		
Optic Material	PMMA		
Holder Material	PC		
Fastening	Pin, tape		
Status	Ready		


Ordering number CA12374_TINA2-RS

Family	Tina2	FWHM	14 degrees
Type	Assembly	Efficiency	88 %
LED	SFH 4715S (IR)	cd/lm	12.450
Color	Black	Gerber File	Available
Diameter	16 mm		
Height	9.5 mm		
Style	Round		
Optic Material	PMMA		
Holder Material	PC		
Fastening	Pin, tape		
Status	Ready		


Ordering number CA12379_TINA2-O

Family	Tina2	FWHM	16+40 degrees
Type	Assembly	Efficiency	(simulated) 92 %
LED	SFH 4715S (IR)	cd/lm	-
Color	Black	Gerber File	Available
Diameter	16 mm		
Height	9.26 mm		
Style	Round		
Optic Material	PMMA		
Holder Material	PC		
Fastening	Pin, tape		
Status	Ready		


Ordering number CA12375_TINA2-D

Family	Tina2	FWHM	17 degrees
Type	Assembly	Efficiency	92 %
LED	SFH 4715S (IR)	cd/lm	-
Color	Black	Gerber File	Available
Diameter	16 mm		
Height	9.26 mm		
Style	Round		
Optic Material	PMMA		
Holder Material	PC		
Fastening	Pin, tape		
Status	Ready		


Ordering number CA12377_TINA2-M

Family	Tina2	FWHM	28 degrees
Type	Assembly	Efficiency	(simulated) 86 %
LED	SFH 4715S (IR)	cd/lm	-
Color	Black	Gerber File	Available
Diameter	16 mm		
Height	9.5 mm		
Style	Round		
Optic Material	PMMA		
Holder Material	PC		
Fastening	Pin, tape		
Status	Ready		

Ordering number CA12378_TINA2-W

Family	Tina2	FWHM	36 degrees
Type	Assembly	Efficiency	(simulated) 89 %
LED	SFH 4715S (IR)	cd/lm	-
Color	Black	Gerber File	Available
Diameter	16 mm		
Height	9.5 mm		
Style	Round		
Optic Material	PMMA		
Holder Material	PC		
Fastening	Pin, tape		
Status	Ready		

NOTE: The typical divergence will be changed by different color, chip size and chip position tolerance. The typical total divergence is the full angle measured where the luminous intensity is half of the peak value.



PRODUCT DATASHEET

Tina2 series

last update 18/2/2013



GENERAL INFORMATION

- Product series especially designed & optimized for SFH 4715S (IR) series of LEDs.
- Special care taken to make light distribution as uniform as possible.
- Lens material optical grade PMMA with high UV and temperature resistance. Allows use of high current and temperature conditions.

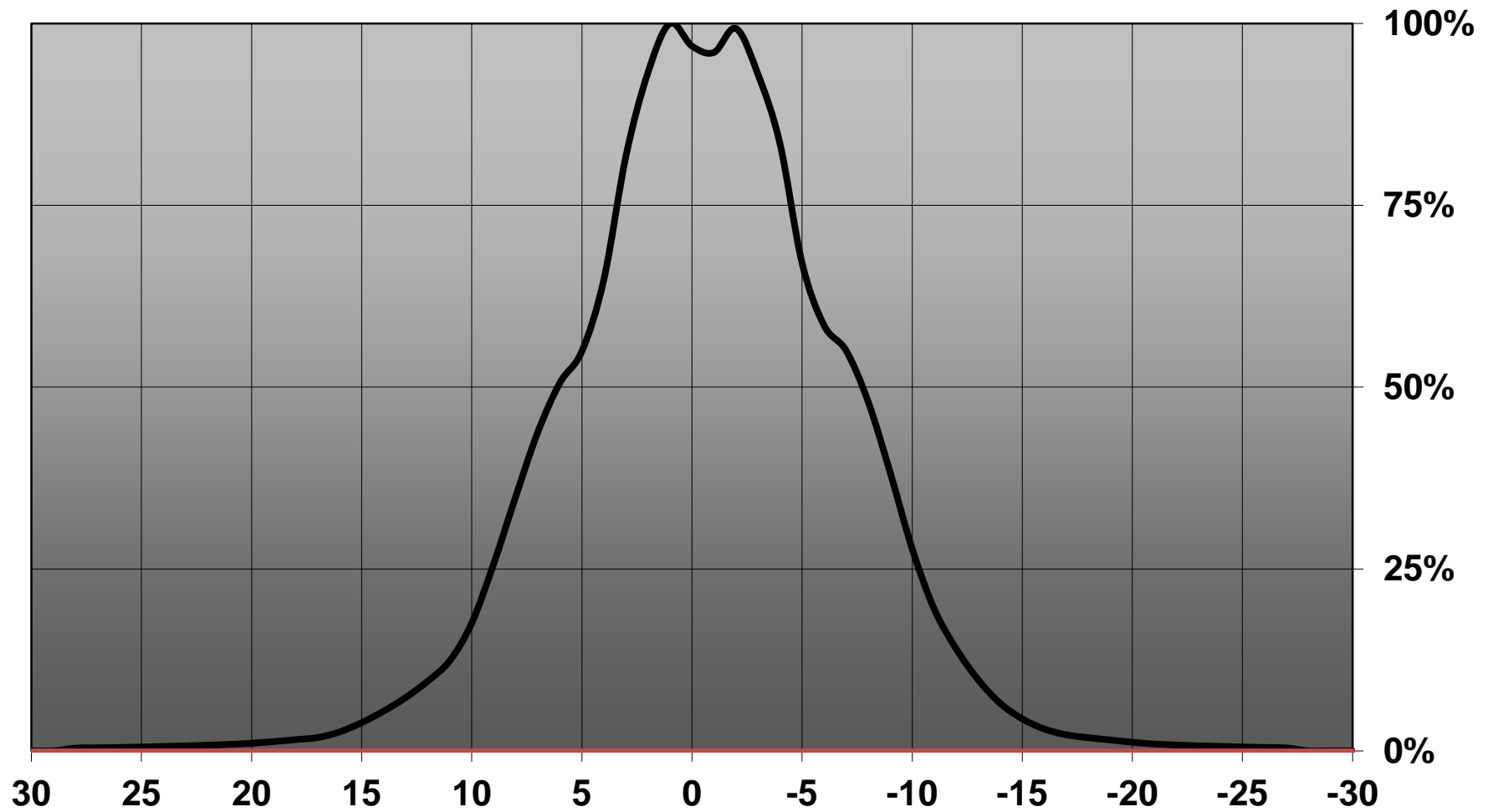
Please find more information about used material from below:

http://ledil.fi/sites/default/files/Documents/Technical/Material/PMMA%20N%20UL94_Yellow%20Card.pdf

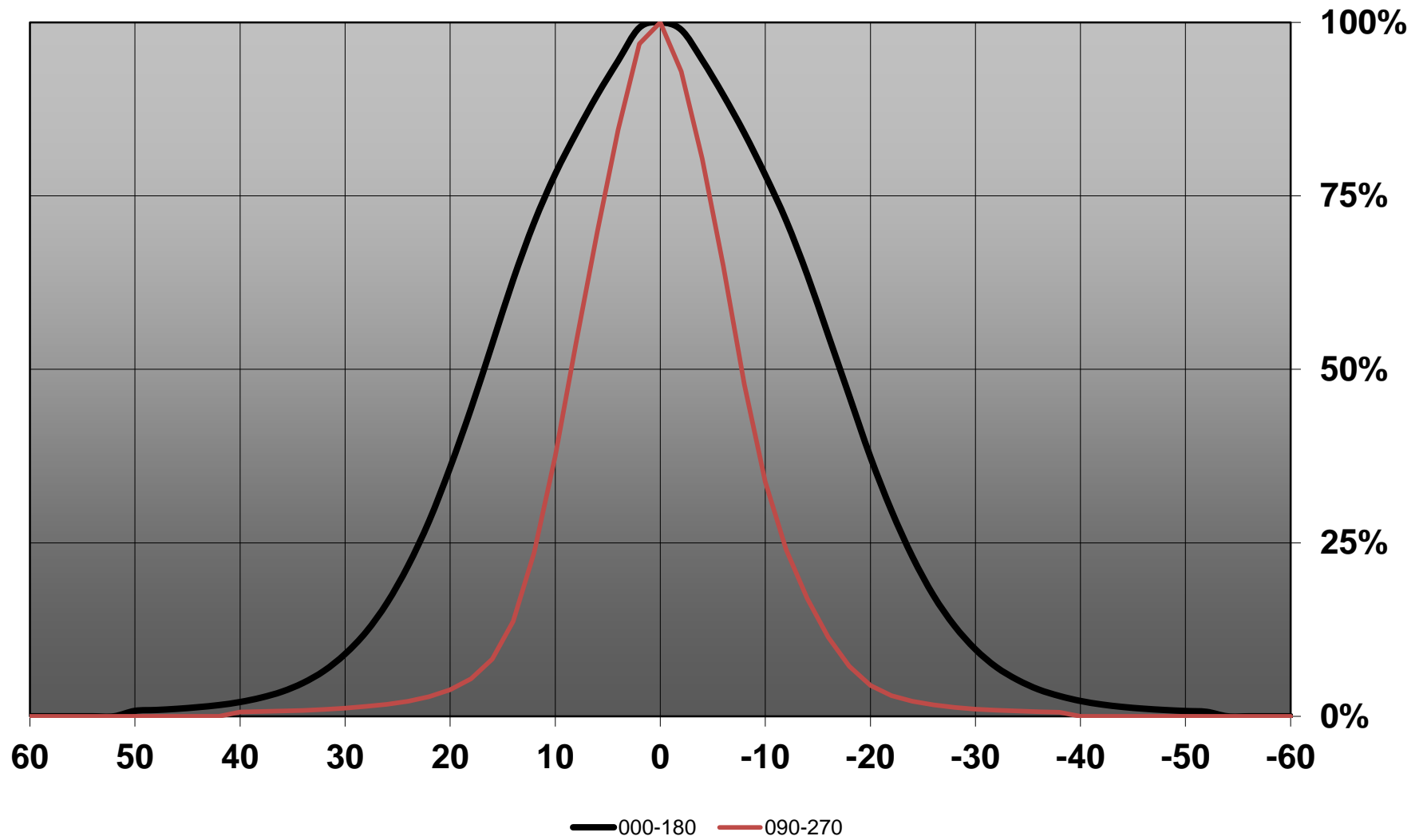
<http://ledil.fi/sites/default/files/Documents/Technical/Material/PMMA%20N%20PLEXIGLAS-Datasheet.pdf>

- Optic holder molded by high quality PC material (120 degrees of Celcius / 248 degrees of Fahrenheit).

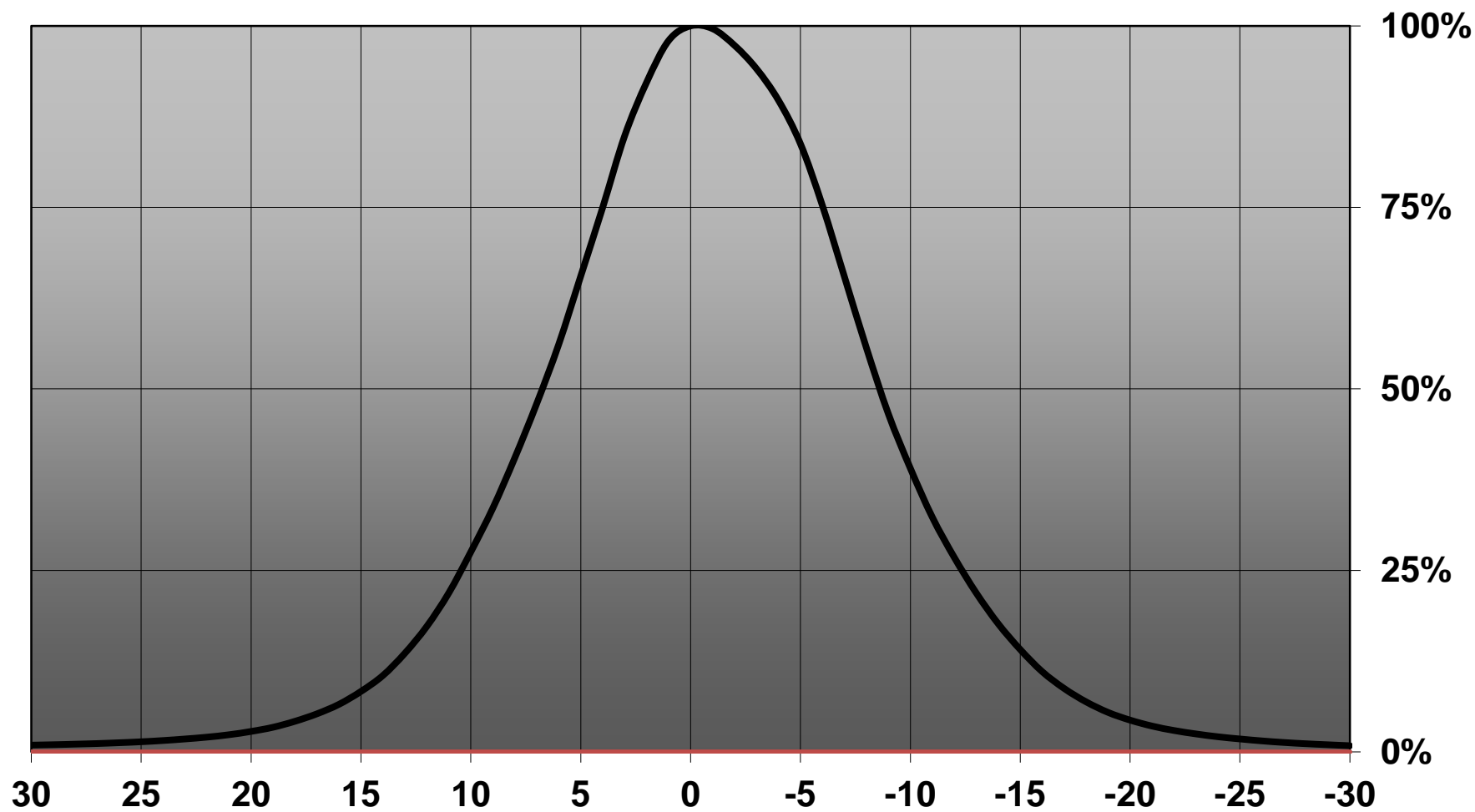
Relative intensity of CA12374_TINA2-RS-SFH4715S



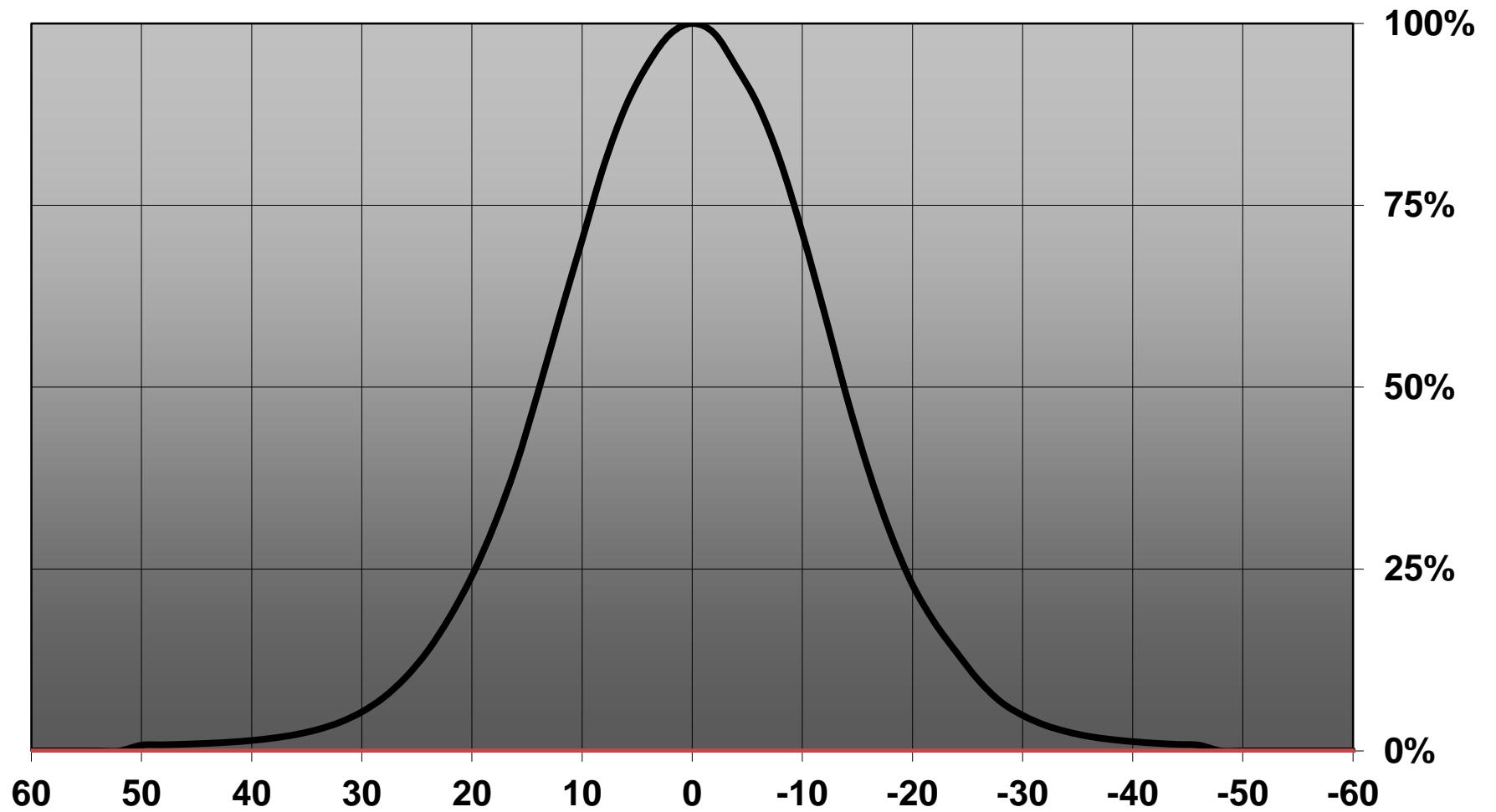
Relative intensity of CA12379_TINA2-O-SFH4715S



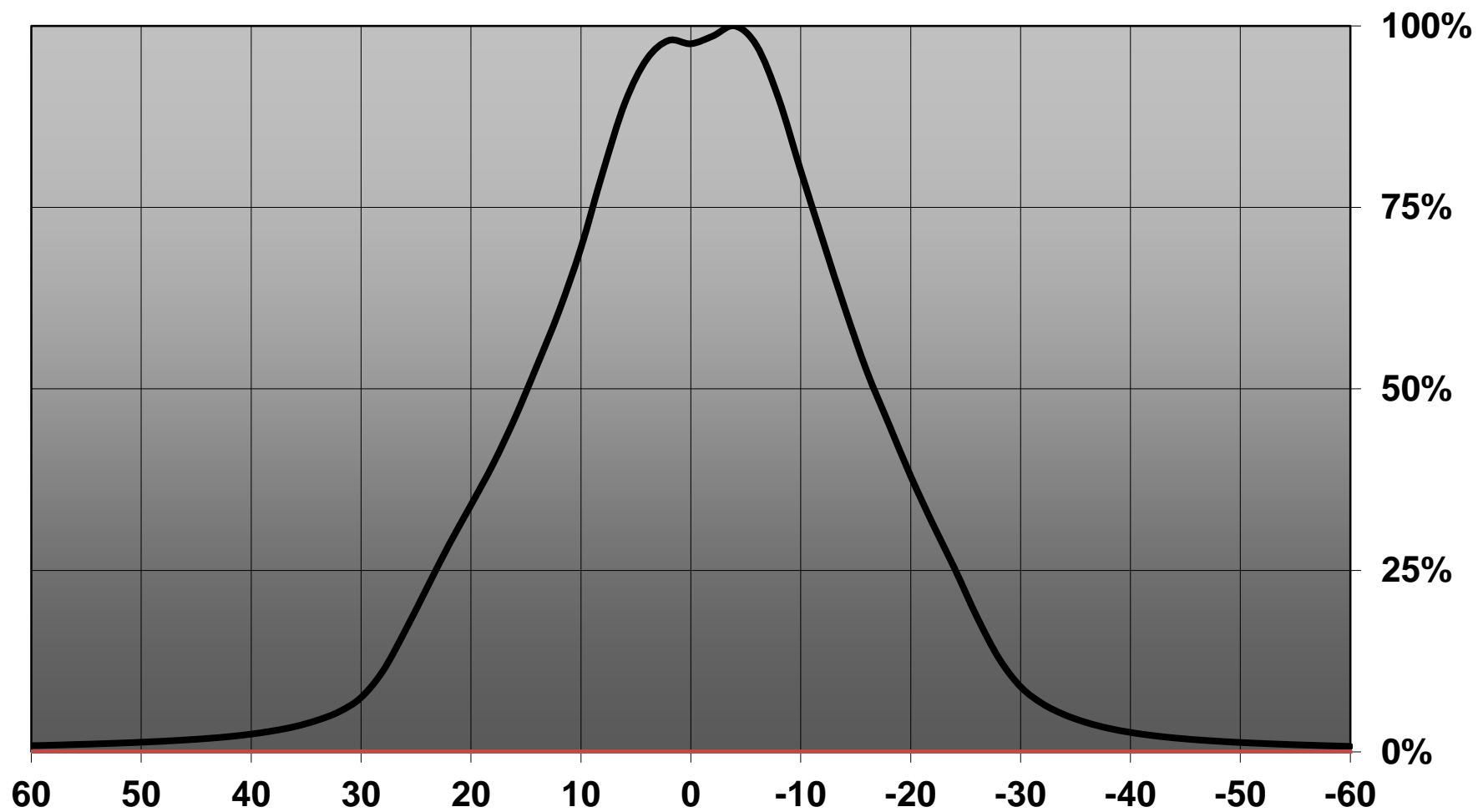
Relative intensity of CA12375_TINA2-D-SFH4715S



Relative intensity of CA12377_TINA2-M-SFH4715S



Relative intensity of CA12378_TINA2-W-SFH4715S



D

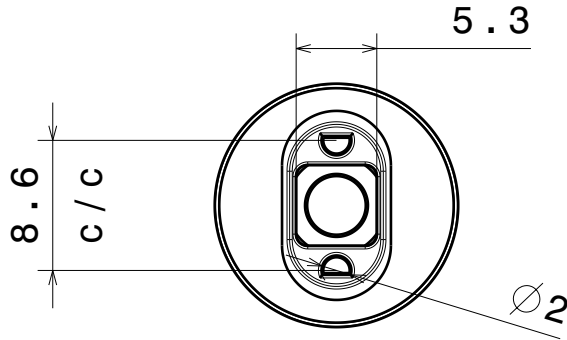
C

B

A

4

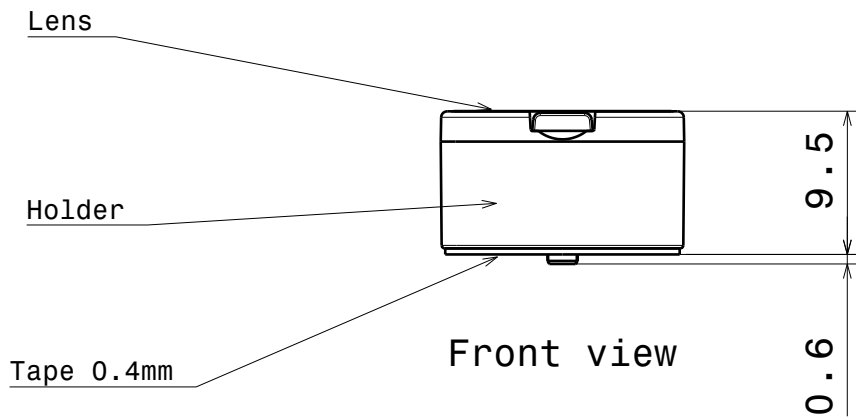
4



Bottom view

3

3

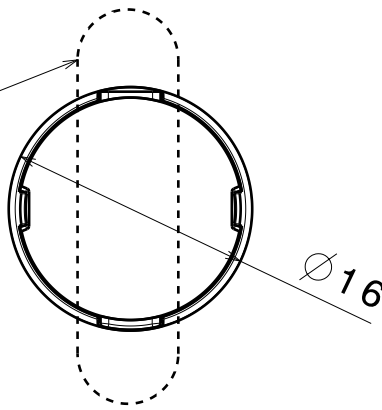


Front view

2

2

Oval beam direction
(0-90 is turned 90 degree)



Top view

MATERIALS
 Lens: PMMA
 Holder: PC
 Tape: PU Foam

This drawing is our property.
 It can't be reproduced
 or communicated without
 our written agreement.



Ledil Oy
 Salorankatu 10
 FIN-24100 SALO
 Finland

DRAWING TITLE

Datasheet Tina2-OSL

1

1

DRAWN BY
ah

DATE
28.12.2011

CHECKED BY
sn

DATE
28.12.2011

SIZE
A4

DRAWING NUMBER

REV
1

DESIGNED BY
ol

DATE
xx

SCALE 3:1 WEIGHT (g) -

SHEET 1/1

D

A