

Nautilus 12W IP67 LED STRIP



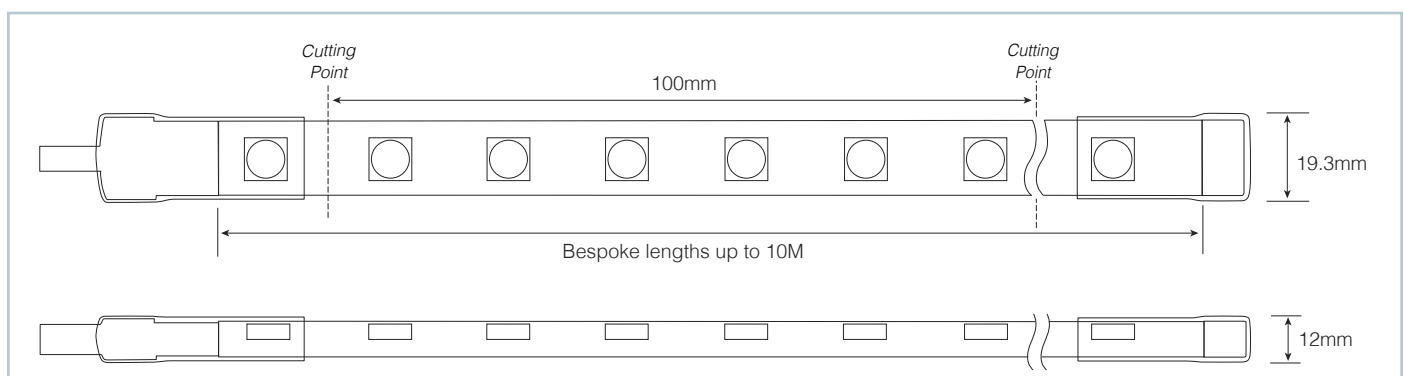
- Built to customer specification ready for installation
- Seamless light with Ultra high brightness with new design of connectors
- UV resistant and flame retardant PVC materials
- 3cm minimum bending diameter
- Continuous length up to 10m
- Energy savings of 85% & low maintenance costs
- Commercial IP Rated Connectors
- 5 year life span



Nautilus Specification

Model Number	NTS-IP67-5700K-W		NTS-IP67-RGB-W		
	NTS-IP67-5700K-W	NTS-IP67-2700K-W	RGB Red	RGB Green	RGB Blue
Lumen Output	>900lm	>900lm	>75lm	>185lm	>40lm
CCT Colour Tone	5700K	2700K	620 ~ 630nm	520 ~ 530nm	460 ~ 470nm
LED Qty	60 per mtr	60 per mtr		60 per mtr	
Cut Points	100mm	100mm		100mm	
Input Voltage	24VDC	24VDC		24VDC	
Output Power (p/m)	12W	12W		12W	
Working Temperature	0°C ~ +45°C	0°C ~ +45°C		0°C ~ +45°C	
Ambient Temperature	-20°C ~ +45°C	-20°C ~ +45°C		-20°C ~ +45°C	
PCB Fitting Colour *	White	White		White	
Dimensions	19.3 x 12mm	19.3 x 12mm		19.3 x 12mm	

MECHANICAL DIAGRAM



White



Clear*

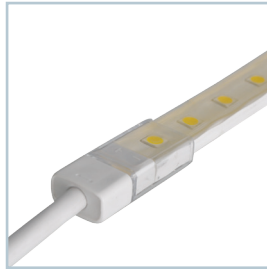


Black*

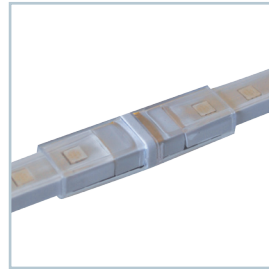
* Black and Clear finishes ~ Special Order

3300K, 3500K, 4000K, 5000K & 6500K available on request.

PROFESSIONAL IP RATED CONNECTIONS



Input Connection



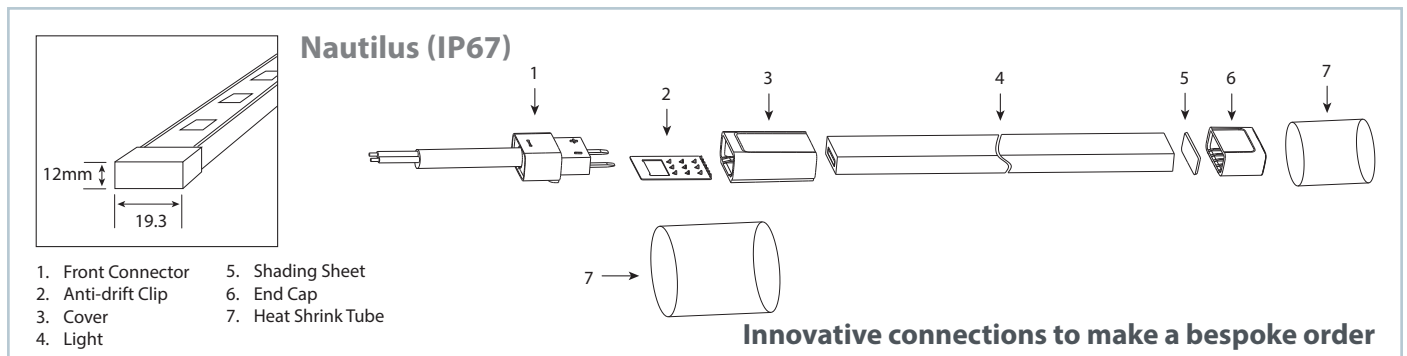
Middle Connector



End Cap



Joining Connector



IP Rating Explained - Degrees of Protection - First Digit

0. No special protection
1. Protection from a large part of the body such as a hand (but no protection from deliberate access); from solid objects greater than 50mm in diameter.
2. Protection against fingers or other object not greater than 80mm in length and 12mm in diameter.
3. Protection from entry by tools, wires, etc., with a diameter of thickness greater than 1.0mm.
4. Protection from entry by solid objects with a diameter or thickness greater than 1.0mm
5. Protection from the amount of dust that would interfere with the operation of the equipment.
6. Dust tight.

Degrees of Protection - Second Digit

0. No special protection
1. Protection from dripping water.
2. Protection from vertically dripping water.
3. Protection from sprayed water.
4. Protection from splashed water.
5. Protection from water projected from a nozzle
6. Protection against heavy seas, or powerful jets of water.
7. Protection against immersion.
8. Protection against complete, continuous submersion in water.

IP67 is commonly used where the protection of LED Flexible strip in areas where the LED's may come in to contact with laying water. This may include Wet Rooms, bathrooms, Spas, saunas, Swimming Pools.

Nautilus LED strip is manufactured with a UV Stable encapsulate which offer high resistance to both 'browning' caused by the effects of UV.

All Nautilus LED Flexible strip benefit from a controlled production, the forward voltage is closely monitored with high tolerance resulting in uniform brightness and maximum reliability.

Sunpower's extensive understanding on LED production and binning and our recognised ISO9001 quality manufacturing process allows controlled light tone and repeatability*.

Nautilus IP67 LED Strip is manufactured using the advanced connection system which offers a high quality connection to ensure that the IP rating is guaranteed; in addition the connector system employs a beneficial inbuilt (anti drift) strain relief. This enhanced connection process enables full confidence even when stress is experienced by the expansion and contraction during temperature changes.

Low power DC SELV voltage ensures maximum safety at all times even when installed in wet a areas of high moisture environments.

*tone tolerance exist within the production of all LED's.