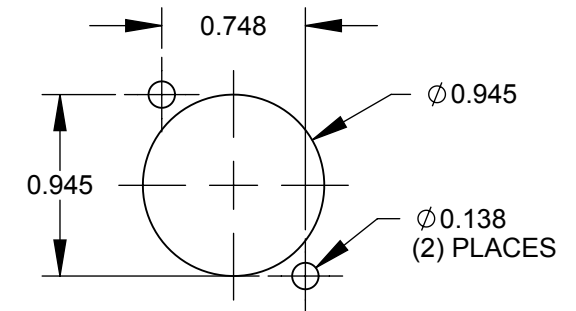
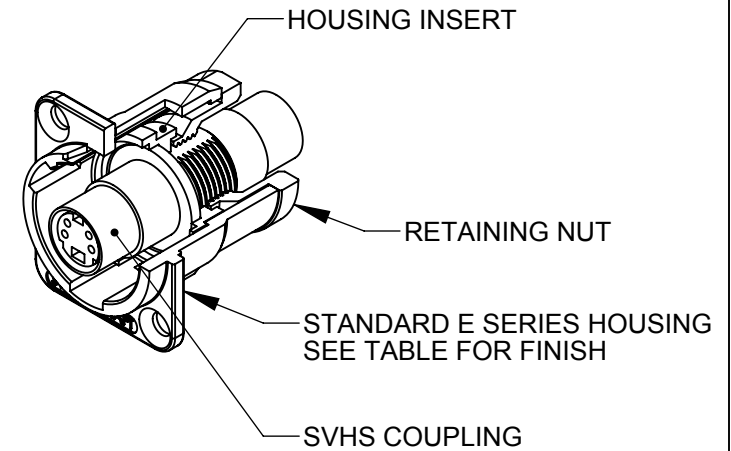
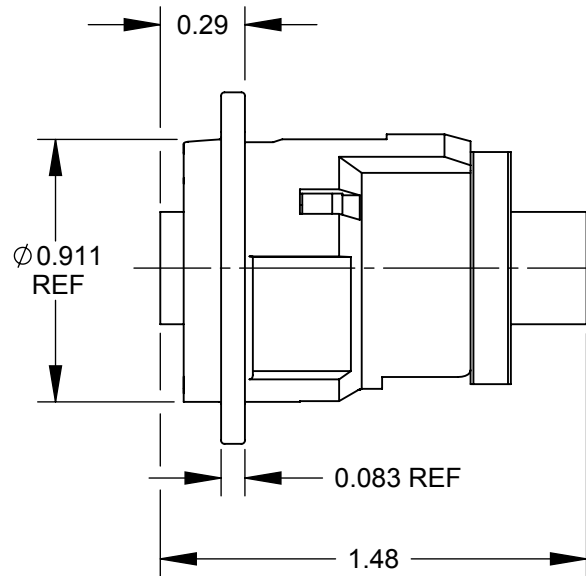


∅0.138 THRU
 ✓ ∅0.230 X 82°
 (2) PLACES



RECOMMENDED
 PANEL CUT-OUT

NOTES:

- MATERIALS:
 HOUSING - ZINC ALLOY
 HOUSING INSERT - THERMOPLASTIC, BLACK
 RETAINING NUT- THERMOPLASTIC, BLACK
 SVHS COUPLING - COPPER ALLOY, NICKEL PLATED
- THIS PRODUCT IS RoHS COMPLIANT.

PART NUMBER	HOUSING FINISH
EHSVHS2X	NICKEL
EHSVHS2BX	BLACK CHROME

CUSTOMER DRAWING

					THIS DRAWING DESCRIBES A DESIGN CONSIDERED PROPRIETARY IN NATURE, DEVELOPED AND MANUFACTURED BY SWITCHCRAFT INC. AND IS RELEASED ON A CONFIDENTIAL BASIS FOR IDENTIFICATION PURPOSES ONLY.				
					SIZE	WIDTH	MULT	LBS/M	TEMPER
					FINISH			MATERIAL	
					SPEC No.			SPEC No.	
					FIRST USED ON		SCALE 1.5:1		
B	26353	3/3/09	RF	TJK	DATE DRAWN	BY	CHKD	APVD	Switchcraft®
A	26020	9/28/06	RF	TJK	9/28/05	RF	RF	TJK	
					SHEET 1 OF 1				
REV	ECO NUMBER	DATE	BY	APVD	NAME			PART No.	REV
REVISIONS					E SERIES SVHS FEEDTHROUGH, RoHS			EHSVHS2_X SERIES	B
DO NOT SCALE DRAWING									

