

1355081-1 ✓ ACTIVE

AMP | MQS

TE Internal #: 1355081-1

MQS, Automotive Connector Locks & Position Assurance, TPA (Terminal Position Assurance), Black, Wire-to-Board, PBT GF

[View on TE.com >](#)



Connectors > Automotive Connectors > Connector Accessories > Locks & Position Assurance



Connector & Contact Retention Accessory Type: **TPA (Terminal Position Assurance)**

Primary Product Color: **Black**

Connector System: **Wire-to-Board**

Primary Product Material: **PBT GF**

Operating Temperature Range: **-40 – 120 °C [-40 – 248 °F]**

Features

Product Type Features

Connector & Contact Retention Accessory Type	TPA (Terminal Position Assurance)
Connector System	Wire-to-Board

Body Features

Primary Product Color	Black
Primary Product Material	PBT GF

Usage Conditions

Operating Temperature Range	-40 – 120 °C[-40 – 248 °F]
-----------------------------	----------------------------

Industry Standards

UL Flammability Rating	UL 94-HB
------------------------	----------

Packaging Features

Packaging Method	Box
Packaging Quantity	5000

Other

Serviceable	Yes
-------------	-----



Product Compliance

[For compliance documentation, visit the product page on TE.com>](#)

EU RoHS Directive 2011/65/EU	Compliant
EU ELV Directive 2000/53/EC	Compliant
China RoHS 2 Directive MIIT Order No 32, 2016	No Restricted Materials Above Threshold
EU REACH Regulation (EC) No. 1907/2006	Current ECHA Candidate List: JUN 2020 (209) Candidate List Declared Against: JUN 2020 (209) Does not contain REACH SVHC
Halogen Content	Low Halogen - Br, Cl, F, I < 900 ppm per homogenous material. Also BFR/CFR/PVC Free
Solder Process Capability	Not applicable for solder process capability

Product Compliance Disclaimer

This information is provided based on reasonable inquiry of our suppliers and represents our current actual knowledge based on the information they provided. This information is subject to change. The part numbers that TE has identified as EU RoHS compliant have a maximum concentration of 0.1% by weight in homogenous materials for lead, hexavalent chromium, mercury, PBB, PBDE, DBP, BBP, DEHP, DIBP, and 0.01% for cadmium, or qualify for an exemption to these limits as defined in the Annexes of Directive 2011/65/EU (RoHS2). Finished electrical and electronic equipment products will be CE marked as required by Directive 2011/65/EU. Components may not be CE marked. Additionally, the part numbers that TE has identified as EU ELV compliant have a maximum concentration of 0.1% by weight in homogenous materials for lead, hexavalent chromium, and mercury, and 0.01% for cadmium, or qualify for an exemption to these limits as defined in the Annexes of Directive 2000/53/EC (ELV). Regarding the REACH Regulation, the information TE provides on SVHC in articles for this part number is based on the latest European Chemicals Agency (ECHA) 'Guidance on requirements for substances in articles' posted at this URL: <https://echa.europa.eu/guidance-documents/guidance-on-reach>

Compatible Parts



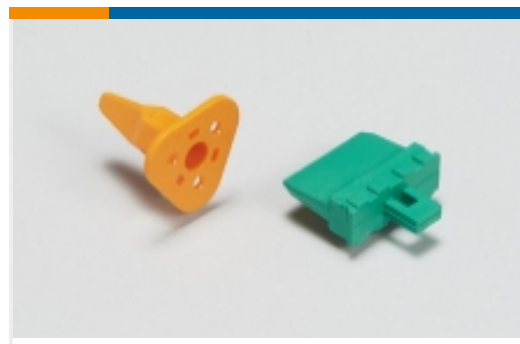
Also in the Series | **MQS**



Automotive Connector Caps & Covers (132)



Automotive Connector EMC Shielding (2)



Automotive Connector Locks & Position Assurance(29)



Automotive Headers(211)



Automotive Housings(504)



Automotive Seals & Cavity Plugs(27)



Automotive Terminals(99)



Data Connectivity Headers(1)



Insertion & Extraction Tools(46)



Other Automotive Connector Accessories(13)

Customers Also Bought



TE Model / Part #1-969489-1
MQS, CONNECTOR HOUSING



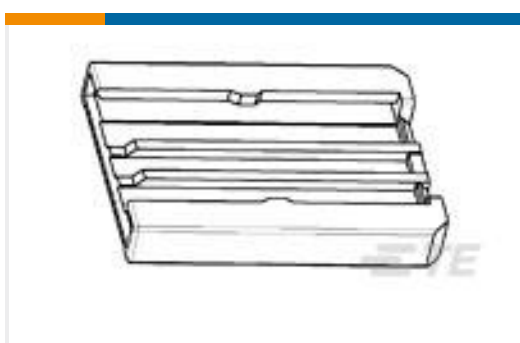
TE Model / Part #638652-2
1.5/2.8 CONNECTOR SYSTEM, RECPT AND TAB



TE Model / Part #964328-1
TIMER, RECEPTACLE AND TAB



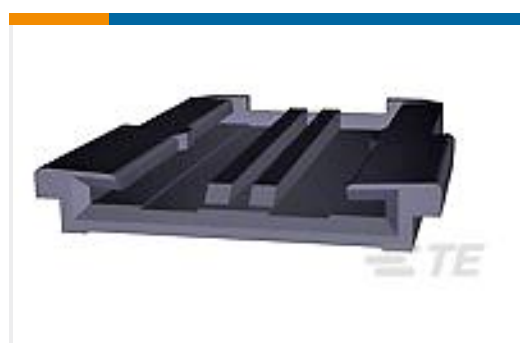
TE Model / Part #1534149-1
MQS RETAINER, BLACK



TE Model / Part #1420001-1
MQS VERSCHL.PLATTE



TE Model / Part #1670108-1
BLIND PLUG FEMALE 1.5



TE Model / Part #1393449-1
V23540A1000Y452=VERSCHL.26P.

Documents



Product Drawings

MQS RETAINER

English

CAD Files

3D PDF

3D

Customer View Model

[ENG_CVM_CVM_1355081-1_A.2d_dxf.zip](#)

English

Customer View Model

[ENG_CVM_CVM_1355081-1_A.3d_igs.zip](#)

English

Customer View Model

[ENG_CVM_CVM_1355081-1_A.3d_stp.zip](#)

English

By downloading the CAD file I accept and agree to the [Terms and Conditions](#) of use.

Product Environmental Compliance

TE Material Declaration

English