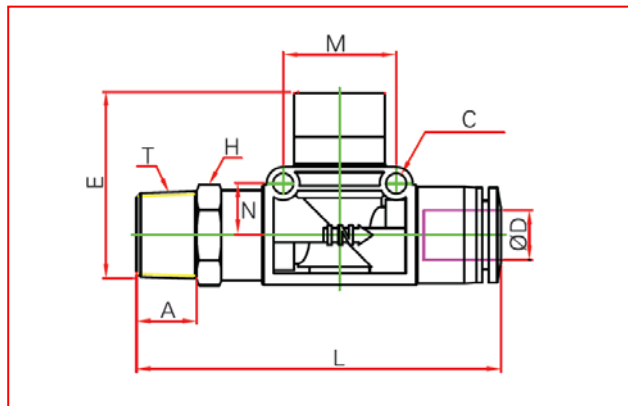




ENGLISH

Datasheet

RS PRO Thread Fitting



RS Article	ØD	L	E	M	N	C	T	A	H(HEX)
1442676	4	59.8	37.5	19	8	3.5	PT 1/8	8	12
1442677	4	62	37.5	19	8	3.5	PT 1/4	10	14
1442678	6	59.8	37.5	19	8	3.5	PT 1/8	8	12
1442679	6	62	37.5	19	8	3.5	PT 1/4	10	14
1442680	8	60	37.5	19	8	3.5	PT 1/8	8	12
1442681	8	62.5	37.5	19	8	3.5	PT 1/4	10	14
1442682	10	78	40.5	24	11	3.5	PT 1/4	10	17
1442683	10	79	40.5	24	11	3.5	PT 3/8	11	17
1442684	12	79.3	40.5	24	11	3.5	PT 3/8	11	17
1442685	12	82.8	40.5	24	11	3.5	PT 1/2	14	21