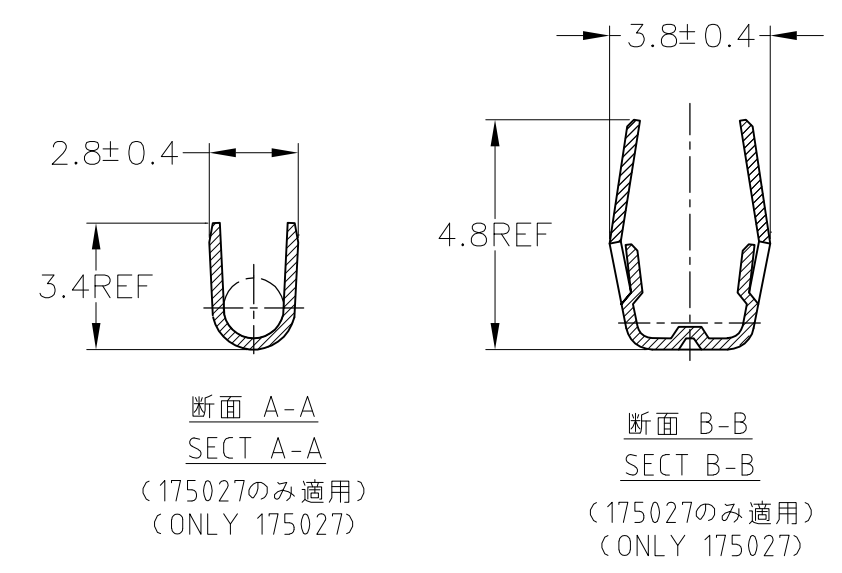
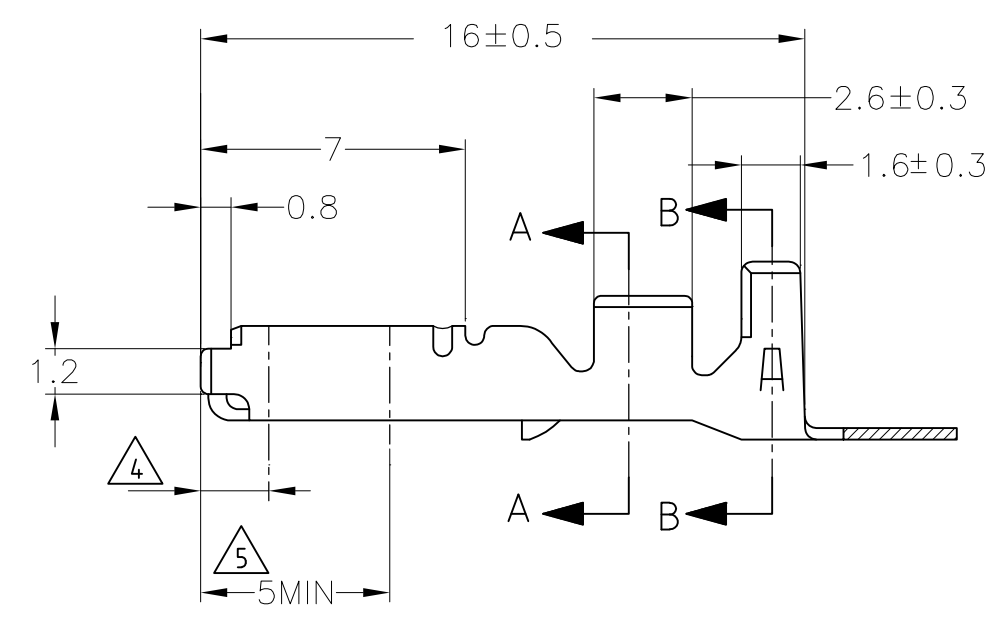
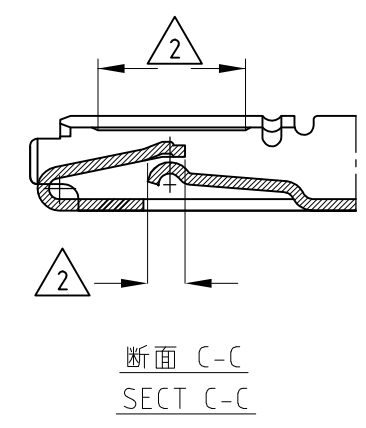
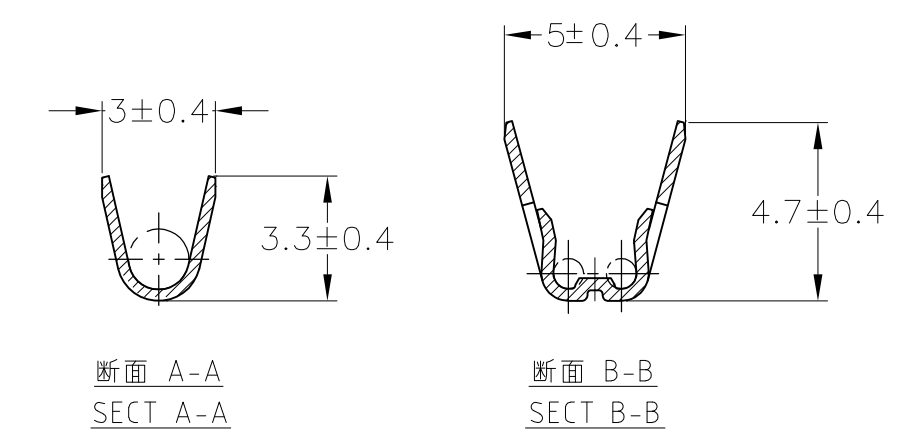
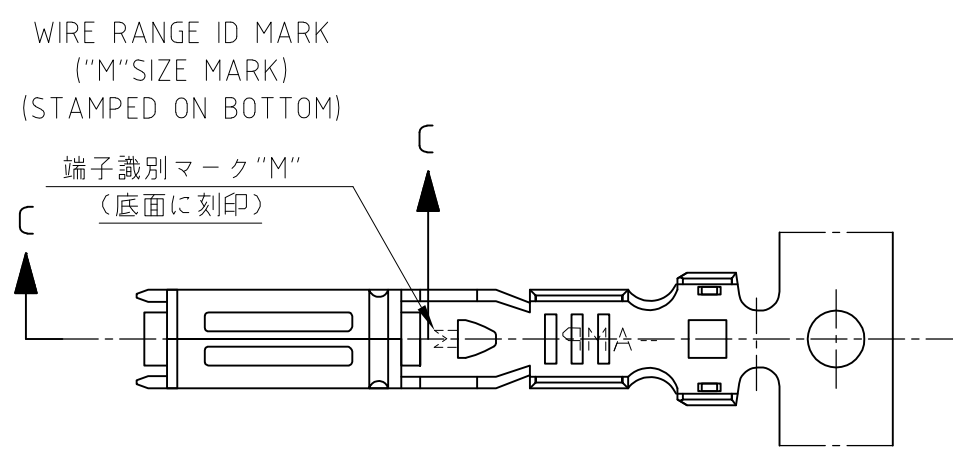
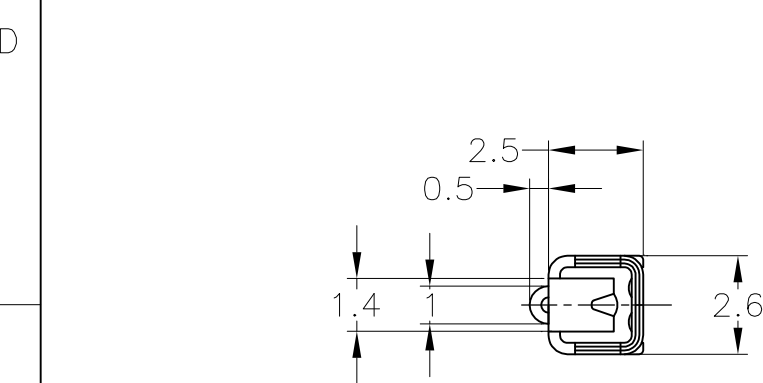


THIS DRAWING IS UNPUBLISHED. RELEASED FOR PUBLICATION
 © COPYRIGHT - By - ALL RIGHTS RESERVED.

LOC	DIST	REVISIONS					
J	-	P	LTR	DESCRIPTION	DATE	DWN	APVD
			E5	REVISED PER ECO-11-005140	30MAR11	RK	HMR



- 1. 製品規格; 108-5216, 108-5231, 108-5264, 108-3371
- ② 部分金めっき
- 3. 取付適用規格; 114-5091
- ④ 識別用金めっき (全周)
- ⑤ 部分金めっき (両側のみ)

- 1. SPEC; 108-5216, 108-5231, 108-5264, 108-3371
- ② SELECTIVE GOLD PLATING
- 3. APPLICATION SPEC; 114-5091
- ④ GOLD PLATING FOR DISCERNMENT (ALL AROUND)
- ⑤ SELECTIVE GOLD PLATING (ONLY BOTH SIDES OF THE BOX)

	⑤② 部分金めっき SELECTIVE GOLD	黄銅 板厚0.3 BRASS t0.3	1-173631-2
SEE DRAWING 173631-8			173631-8
175027-7	④② 部分金めっき SELECTIVE GOLD	リン青銅 板厚0.3 PHOS BRO. t0.3	173631-7
175027-6	錫めっき済み PRE-TINNED	リン青銅 板厚0.3 PHOS BRO. t0.3	173631-6
	④② 部分金めっき SELECTIVE GOLD	黄銅 板厚0.3 BRASS t0.3	173631-2
175027-1	錫めっき済み PRE-TINNED	黄銅 板厚0.3 BRASS t0.3	173631-1
パラ端子型番 L/P NUMBER	仕上 FINISH	材料 MATERIAL	型番 PART NUMBER

TOLERANCE UNLESS OTHERWISE SPECIFIED: 一般公差

0 < x ≤ 10	: ±0.2
10 < x ≤ 30	: ±0.25
30 < x ≤ 100	: ±0.3
ANGLE	: ±3°

THIS DRAWING IS A CONTROLLED DOCUMENT.

DIMENSIONS: 単位: 耗 mm	TOLERANCES UNLESS OTHERWISE SPECIFIED: 一般公差
0 PLC ±-	1 PLC ±-
2 PLC ±-	3 PLC ±-
4 PLC ±-	ANGLES ±-
MATERIAL 材料	FINISH 仕上
SEE TABLE	SEE TABLE

DWN M.SUGAWARA 12MAY06	TE Connectivity		070 SERIES RECEPTACLE CONTACT	
CHK T.SHINOHARA 12MAY06				
APVD K.BETSUI 12MAY06				
PRODUCT SPEC 製品規格	NAME 名称		RESTRICTED TO	
APPLICATION SPEC 取付適用規格	SIZE	CAGE CODE	DRAWING NO 番号	
WEIGHT -	A3	00779	C-173631	
CUSTOMER DRAWING		SCALE 尺度 5:1	SHEET 1 OF 1	REV E5