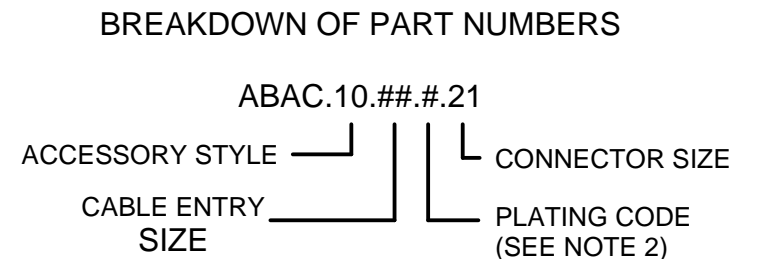
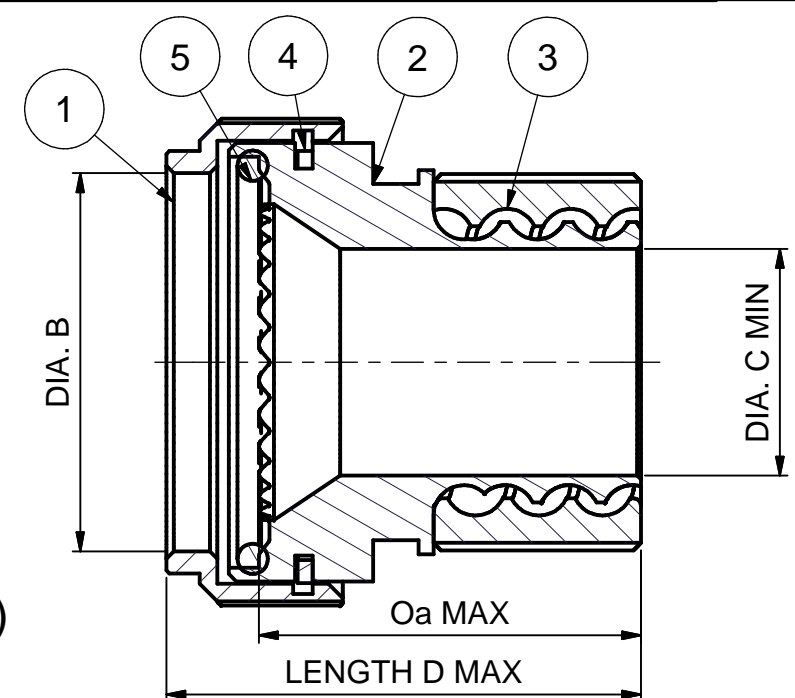
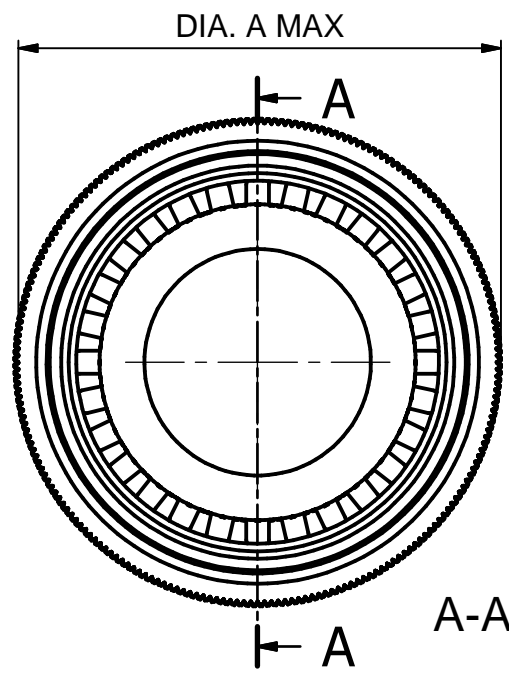


DRIVING FOR QUOTATION PURPOSES ONLY. NOT TO BE WORKED TO.

ISSUE: 2
BY: AJ
RN:6634
DATE:18-03-2011

DESCRIPTION OF LAST CHANGE:
RELEASED TO PRODUCTION

©ABConnectors Ltd. This document and the information contained herein may not be copied, used or disclosed, in whole or in part, except with the prior written permission of AB CONNECTORS LTD., or if this document has been produced under a contract with another party as expressly authorised under that contract. It is supplied without liability for errors or omissions.



NOTES:-

1. PART NUMBER TO BE MARKED HERE.

2. **ITEM 1, ITEM 2 AND ITEM 3** ARE TO BE USED FOR PLATING CODE:-
W= OLIVE DRAB CADMIUM PLATE
Q= ZINC COBALT OLIVE DRAB PASSIVATE
QB= ZINC COBALT BLACK PASSIVATE

ITEM 1A, ITEM 2A AND ITEM 3A ARE TO BE USED FOR PLATING CODE:-
F= ELECTROLESS NICKEL

CABLE SIZE	ASSY. NUMBER	ITEM 1 QTY 1	ITEM 1A QTY 1	ITEM 2 QTY 1	ITEM 2A QTY 1	ITEM 3 QTY 1	ITEM 3A QTY 1	ITEM 4 QTY 1	ITEM 5 QTY 1	DIA. A MAX	DIA. B	DIA B	DIA. C MIN	LENGTH D MAX	Oa MAX
03	ABAC.10.03.#.21			514.2.18926.#.03	514.2.00706.4.03	514.2.18929.#.03	514.2.00719.4.03						4.70		
04	ABAC.10.04.#.21			514.2.18926.#.04	514.2.00706.4.04	514.2.18929.#.04	514.2.00719.4.04						6.30		
05	ABAC.10.05.#.21			514.2.18926.#.05	514.2.00706.4.05	514.2.18929.#.05	514.2.00719.4.05						7.90	28.58	22.00
06	ABAC.10.06.#.21			514.2.18926.#.06	514.2.00706.4.06	514.2.18929.#.06	514.2.00719.4.06						9.50		
07	ABAC.10.07.#.21			514.2.18926.#.07	514.2.00706.4.07	514.2.18929.#.07	514.2.00719.4.07						11.10		
08	ABAC.10.08.#.21			514.2.18926.#.08	514.2.00706.4.08	514.2.18929.#.08	514.2.00719.4.08						12.70		
09	ABAC.10.09.#.21			514.2.18926.#.09	514.2.00706.4.09	514.2.18929.#.09	514.2.00719.4.09						14.20		
10	ABAC.10.10.#.21			514.2.18926.#.10	514.2.00706.4.10	514.2.18929.#.10	514.2.00719.4.10						15.80		
11	ABAC.10.11.#.21			514.2.18926.#.11	514.2.00706.4.11	514.2.18929.#.11	514.2.00719.4.11						17.40		
12	ABAC.10.12.#.21			514.2.18926.#.12	514.2.00706.4.12	514.2.18929.#.12	514.2.00719.4.12						19.00		
13	ABAC.10.13.#.21			514.2.18926.#.13	514.2.00706.4.13	514.2.18929.#.13	514.2.00719.4.13						20.60		
14	ABAC.10.14.#.21	514.2.18746.#.00	514.2.00696.4.00	514.2.18926.#.14	514.2.00706.4.14	514.2.18929.#.14	514.2.00719.4.14	121B.18.IC.CH	M0400098	38.90	M31 x 1 - 6H	M37 X 1 - 6H	22.20		
15	ABAC.10.15.#.21			514.2.18926.#.15	514.2.00706.4.15	514.2.18929.#.15	514.2.00719.4.15						23.80		
16	ABAC.10.16.#.21			514.2.18926.#.16	514.2.00706.4.16	514.2.18929.#.16	514.2.00719.4.16						25.40	33.88	27.30
17	ABAC.10.17.#.21			514.2.18926.#.17	514.2.00706.4.17	514.2.18929.#.17	514.2.00719.4.17						27.00		
18	ABAC.10.18.#.21			514.2.18926.#.18	514.2.00706.4.18	514.2.18929.#.18	514.2.00719.4.18						28.60		
19	ABAC.10.19.#.21			514.2.18926.#.19	514.2.00706.4.19	514.2.18929.#.19	514.2.00719.4.19						30.20		
20	ABAC.10.20.#.21			514.2.18926.#.20	514.2.00706.4.20	514.2.18929.#.20	514.2.00719.4.20						31.80		
21	ABAC.10.21.#.21			514.2.18926.#.21	514.2.00706.4.21	514.2.18929.#.21	514.2.00719.4.21						33.30		
22	ABAC.10.22.#.21			514.2.18926.#.22	514.2.00706.4.22	514.2.18929.#.22	514.2.00719.4.22						35.00		
23	ABAC.10.23.#.21			514.2.18926.#.23	514.2.00706.4.23	514.2.18929.#.23	514.2.00719.4.23						36.50		
24	ABAC.10.24.#.21			514.2.18926.#.24	514.2.00706.4.24	514.2.18929.#.24	514.2.00719.4.24						38.10		

MODIFICATIONS MUST BE CARRIED OUT USING CAD SYSTEM. DOES THE CUSTOMER NEED TO BE INFORMED OF ANY CHANGE?

CHARACTERISTIC	SYM	CHARACTERISTIC	SYM
STRAIGHTNESS	—	ANGULARITY	∠
FLATNESS	▭	RUN OUT	↗
ROUNDNESS	○	POSITION	⊕
CYLINDRICITY	⊘	CONCENTRICITY	◎
PROFILE OF A LINE	⌒	SYMMETRY	≡
PROFILE OF A SURFACE	⌒	M.M.C.	Ⓜ
PARALLELISM	//	SQUARENESS	⊥

FOR EXPLANATION OF DIMENSIONS, TOLERANCES, NOTES, ETC. SEE BS308

MATERIAL:

TOLERANCES UNLESS OTHERWISE STATED

ALL DECIMAL PLACES ± 0.1
HOLE DIAMETERS ± 0.05
ANGULAR ± 2°

DRAWN: AJ
DATE: 18/03/2011
CHKD: PL

∇ = CRITICAL CHARACTERISTIC ◇ = SIGNIFICANT CHARACTERISTIC (SEE AB-W07-03-01 FOR DESCRIPTION)

ab AB CONNECTORS LTD.
A TT GROUP COMPANY

THIS DRAWING MAY ONLY BE ALTERED IF THE PART REMAINS INTERCHANGEABLE. IF NOT, A NEW DRAWING NUMBER MUST BE TAKEN.

TITLE:
SIZE 21 - PATTERN 38999
ASSY. OF STRAIGHT LOW PROFILE ADAPTOR AND SCREEN TRAP NUT FOR VARIOUS CABLE ENTRY SIZES

PRODUCT DRAWING NUMBER:
ABAC.10.###.21

Do not scale this drawing

FINISH:
SEE PED 021

SHEET 1 OF 1

FINISH CODE: SEE PED 021
VARN: