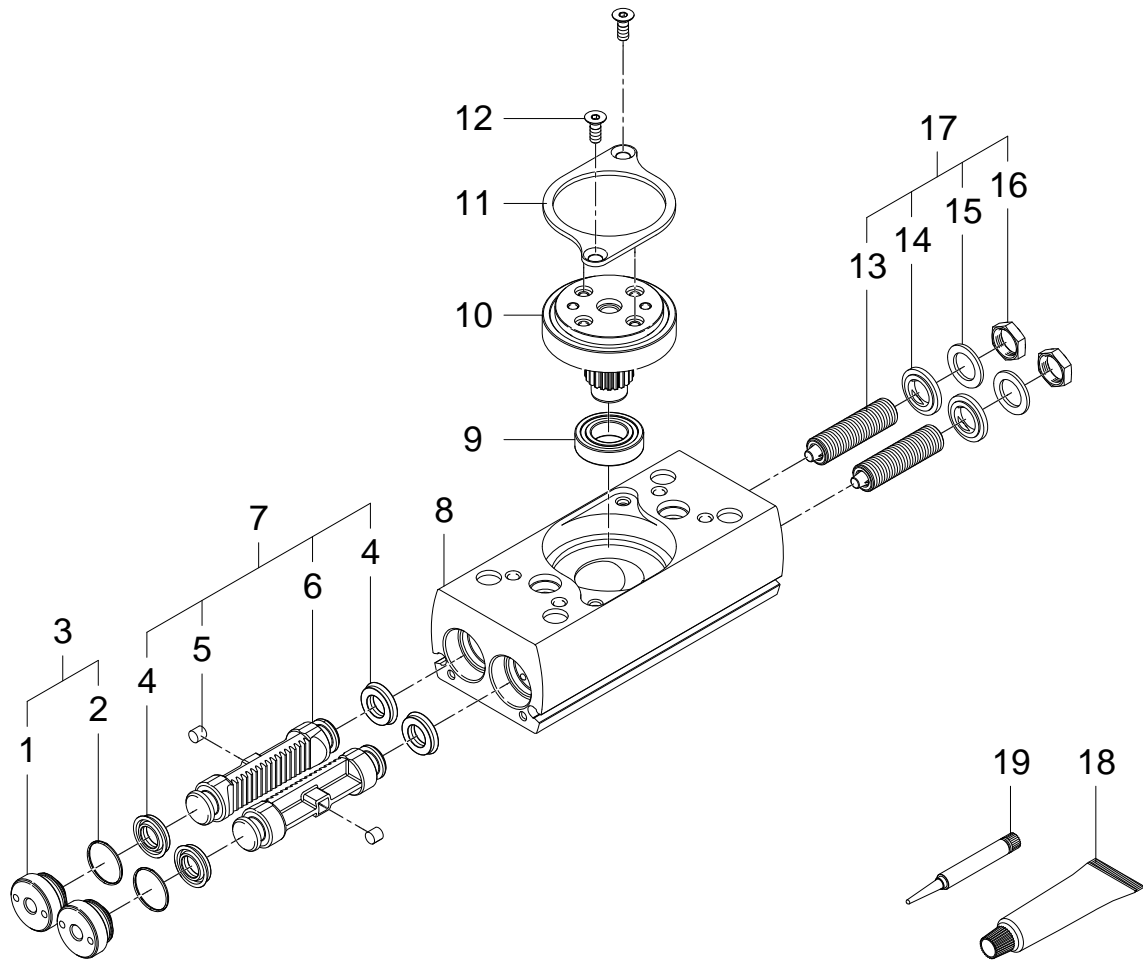


2223060 DRRD-8-180-FH-PA Semi-rotary drive - Series: All



2223060 DRRD-8-180-FH-PA Semi-rotary drive - Series: All

Pos.	Part no.	Type	Note	Qty.	Unit
A	8035242	DRRD-8 Set of wearing parts	Spare parts: 2, 4, 14, 15, 18, 19 Replacing the wearing parts	1	PC
1		DRRD-8-P stopper plug	Not available separately, see position 3	1	PC
2		B-7,50X0,5-N-NBR75 O-ring ISO3601	Not available separately, see position 3+999 Grease using during assembly. See position 18	1	PC
3	1632485	DRRD-8 stopper plug module	Tightening torque 0.5 Nm / 0.4 lbf ft	2	PC
4		LEFC2-8X4,8X2,55-TPE-U Lip seal	Not available separately, see position 7+999 Grease using during assembly. See position 18	2	PC
5		3,6X3,4 Magnet	Not available separately, see position 7 Grease using during assembly. See position 18	1	PC
6		DRRD-8 Piston	Not available separately, see position 7	1	PC
7	1423777	DRRD-8 Piston module		2	PC
8		DRRD-8 Housing	Not available	1	PC
9	365878	D616-686-2Z Deep groove ball bearing		1	PC
10	2226258	DRRD-8 Shaft module		1	PC
11	2308431	DRRD-8 Cover		1	PC
12	369887	DIN 7991-M3,0X6-A2-70 Countersunk screw	Tightening torque 1.2 Nm / 0.9 lbf ft Use locking compound. See position 19	2	PC
13		M6X0,5X20-1.4305 Threaded pin	Not available separately, see position 17	1	PC
14		DRQD- 8 Sealing ring	Not available separately, see position 17+999	1	PC
15		6,3X9X0,8 Ring	Not available separately, see position 17+999	1	PC
16		M6X0,5 Hex nut	Not available separately, see position 17 Tightening torque 1 Nm / 0.7 lbf ft	1	PC
17	1629442	DRRD-8-P Cushioning module		2	PC
18	684474	LUB-KC1 SILIKONFREI 20ML Lubricating grease		1	PC
19	8181256	CYBERBOND TM44 TB1ML Adhesive bonding agent		1	PC