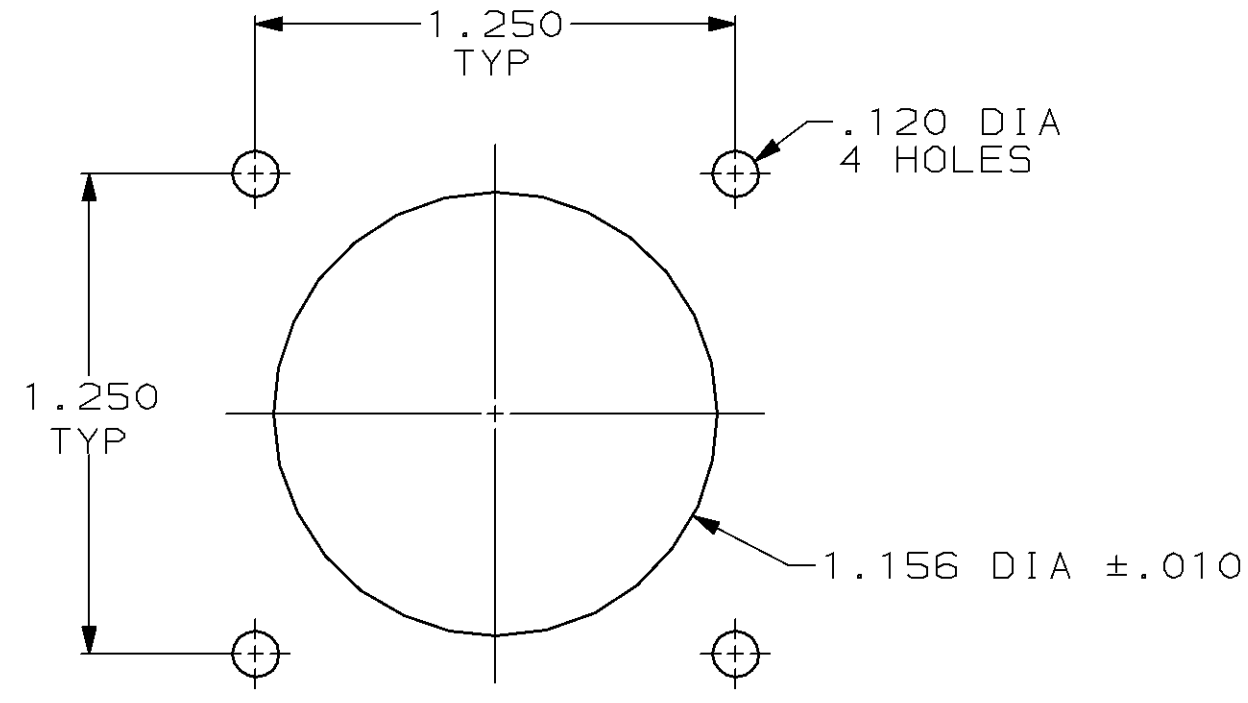
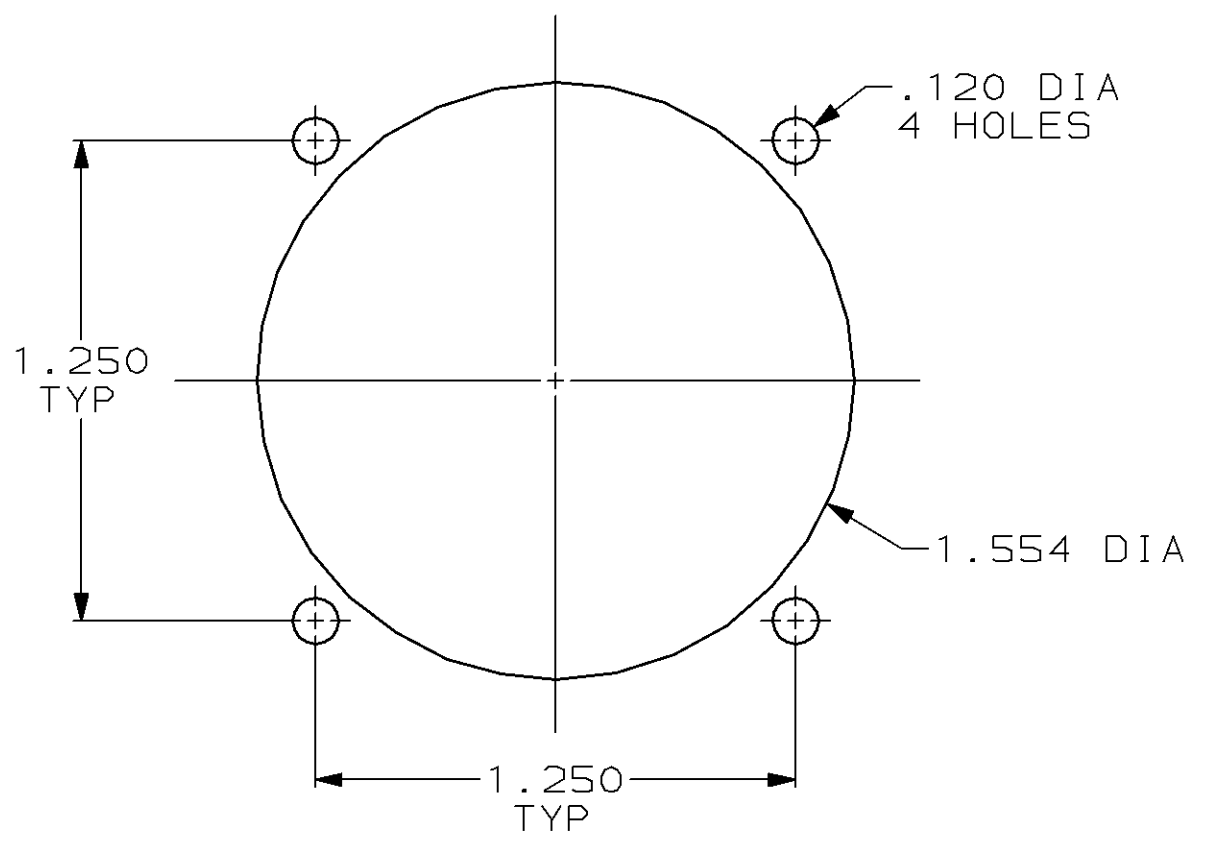
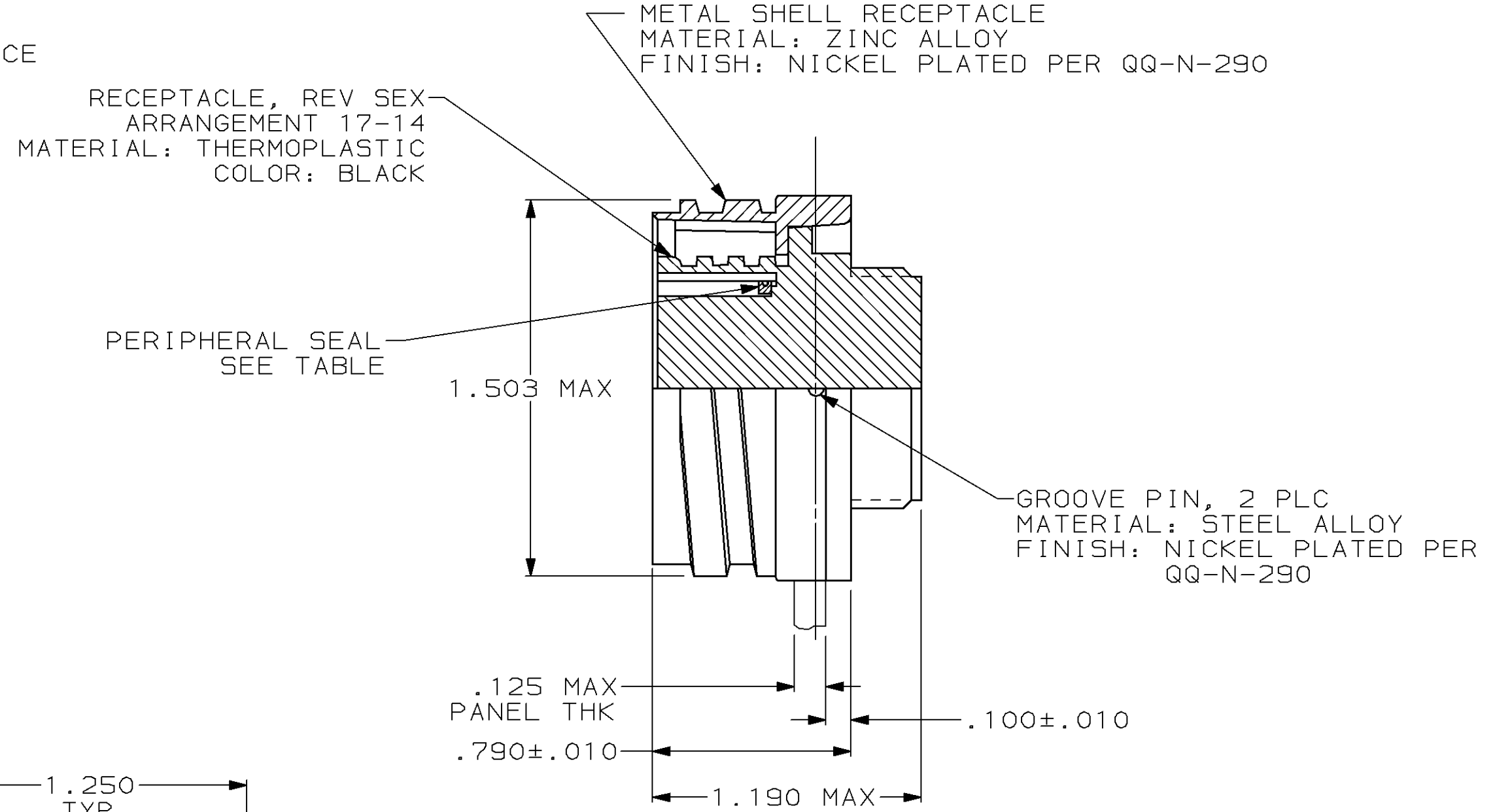
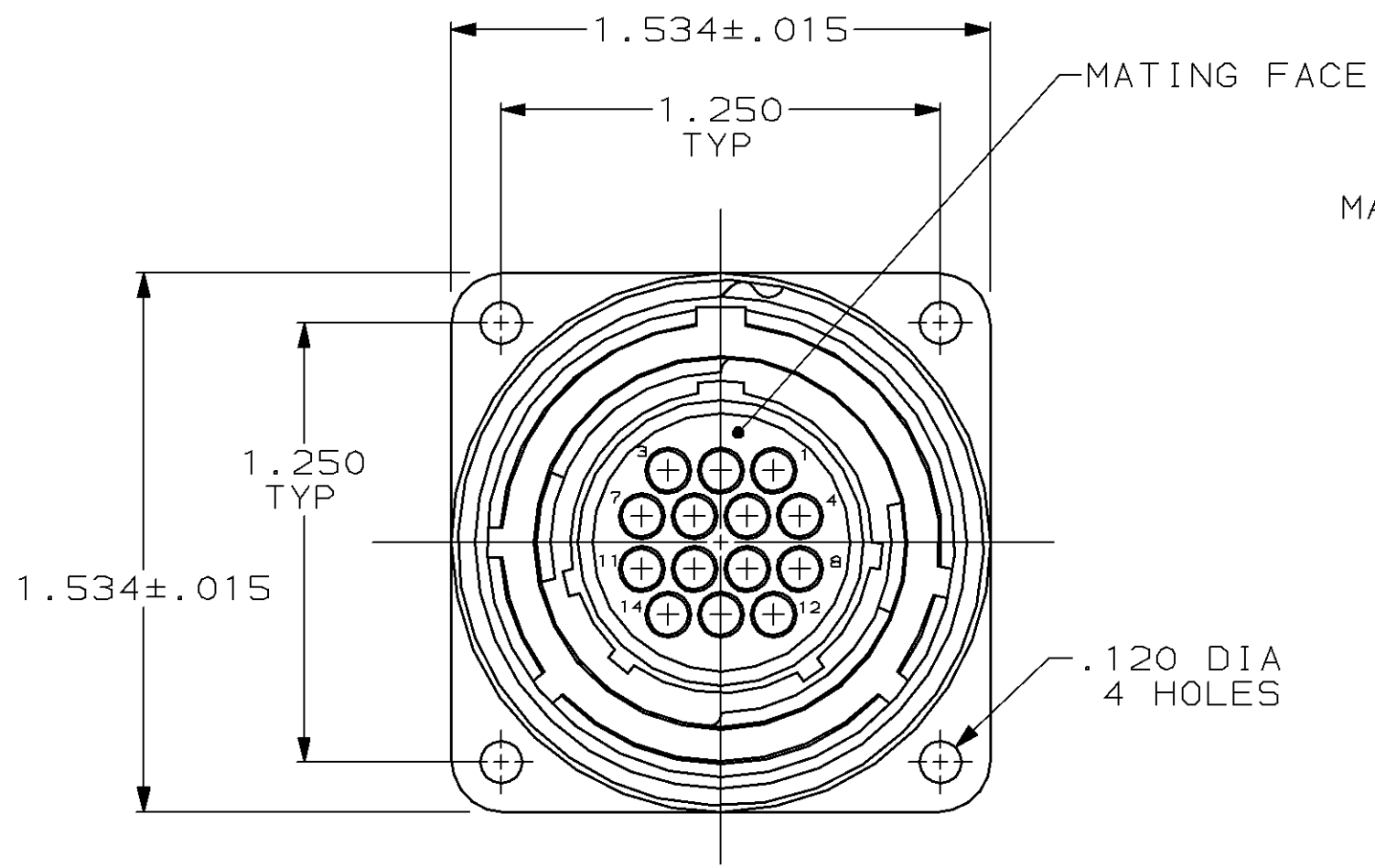


LOC	DIST	P	F	ZONE	LTR	REVISIONS	DATE	APPD
FT	4				G	REDRAWN	6-27-91	-
					H	OBS -2 PER EC 0020-0394-93	11/17/94	RK
					J	REV PER EC 0320-39-96	09 SEP 96	AW



OBSOLETE	YES	208487-2
	NO	208487-1
PERIPHERAL SEAL	PART NUMBER	

- 208487-1 MATES WITH AMP PLUG 208486-1 OR -3. 208487-2 MATES WITH 208486-1 ONLY.
- THIS RECEPTACLE ACCEPTS FOURTEEN (14) MULTIMATE SOCKET CONTACTS. MAXIMUM WIRE INSULATION DIAMETER = .105.
- AMP PART NUMBER AND DATE CODE LOCATED ON EDGE OF FLANGE.

DO NOT SCALE PRINT. UNLESS SPECIFIED DIMENSIONS IN INCHES TOLERANCES ON: 2 PLC DEC ± - 3 PLC DEC ± .005 ANGLES ± -	DR 6-27-91 R.LEE BG CHK 4-15-92 W.G.LENKER APPD 4-15-92 K.BEAVER	AMP Incorporated Harrisburg, PA 17105-3608 NAME RECEPTACLE ASSEMBLY, REV SEX, SERIES 1, 22-14, CMC		
MATERIAL SEE CALLOUT	APPD 4-15-92 C.ROHDE PRODUCT SPEC 108-10040			
FINISH SEE CALLOUT	APPLICATION SPEC -	SIZE C	CAGE CODE 00779	DRAWING NO 208487
WEIGHT -		SCALE 2:1	SHEET 1 OF 1	