



OsiSense XS non-flush inductive sensors



Increased sensing capacity in a compact, robust design

OsiSense™ XS non-flush inductive sensors deliver the **first E2-certified general purpose range on the market**. The result? Superior electromagnetic field immunity in a smaller package.

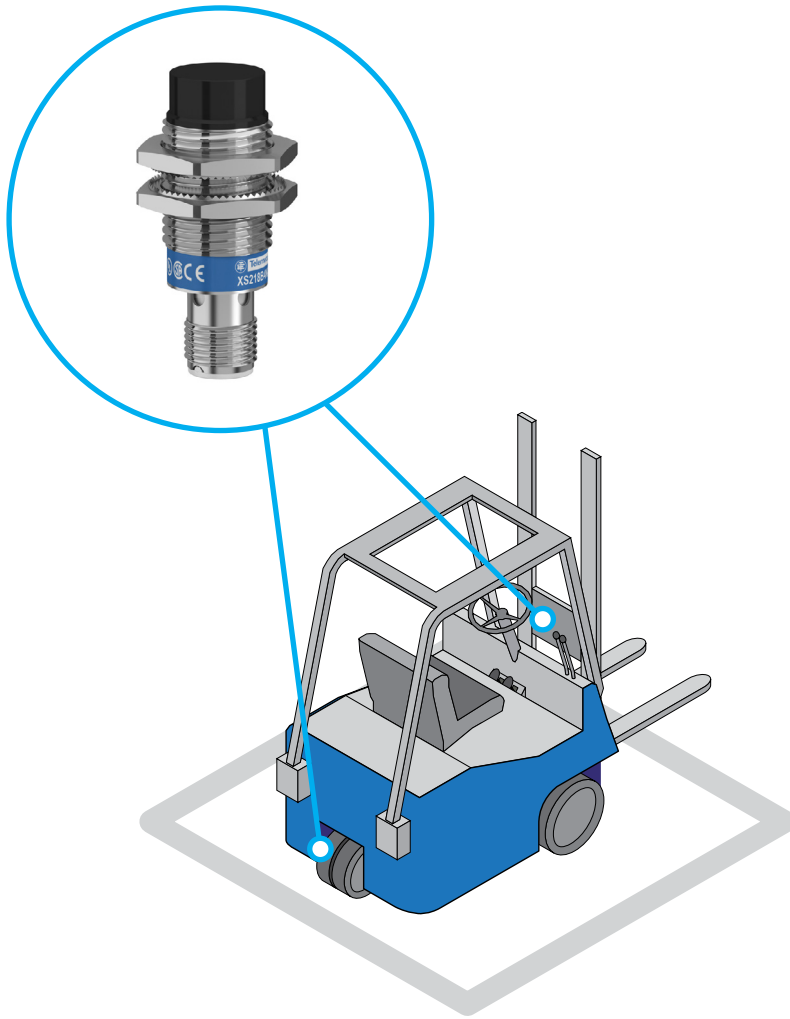
Greater sensing distance and detection capacity
OsiSense XS provides flexible setup and reliable performance — even in the harshest environments.

Compact and easy to integrate
Choose from two short-body sizes (12 mm and 18 mm) or the renewed 30 mm sensors.

Whether for mobile equipment, material handling, packaging, automatic assembly, escalators, or other demanding applications, you can count on OsiSense XS.

Simply easy!™

Features and benefits



High reliability

- E2 certificate for superior detection in EMC-rough environments
- High electromagnetic field immunity
- Increased sensing distance facilitates flexible setup

Compact size

- Easier mounting and integration into machines
- Shorty-body sensors with 12 mm and 18 mm diameters
- Sensing distance: 8 mm for 12mm; 16 mm for 18 mm

Robust design

- Connector version rating: IP69K
- Cable version rating: IP67/68
- Operating temperatures from -25 °C to 70 °C (-40 °C to 85 °C on request)

References

Inductive non-flush increased range — cylindrical metal

Description	Product	Sensing distance	Cable/connector
Diameter 12	XS212B4PAL2	8 mm	PNP NO* — cable 2M
Diameter 12	XS212B4PAM12	8 mm	PNP NO* — M12 connector
Diameter 12	XS212B4NAL2	8 mm	NPN NO* — cable 2M
Diameter 12	XS212B4NAM12	8 mm	NPN NO* — M12 connector
Diameter 18	XS218B4PAL2	16 mm	PNP NO* — cable 2M
Diameter 18	XS218B4PAM12	16 mm	PNP NO* — M12 connector
Diameter 18	XS218B4NAL2	16 mm	NPN NO* — cable 2M
Diameter 18	XS218B4NAM12	16 mm	NPN NO* — M12 connector
Diameter 30	XS630B5PAL2	30 mm	PNP NO* — cable 2M
Diameter 30	XS630B5PAM2	30 mm	PNP NO* — M12 connector
Diameter 30	XS630B5NAL2	30 mm	NPN NO* — cable 2M
Diameter 30	XS630B5NAM2	30 mm	NPN NO* — M12 connector

*NO: Normally Open

Schneider Electric Industries SAS

Head Office
35, rue Joseph Monier – CS 30323
F92506 Rueil-Malmaison Cedex
FRANCE

www.tesensors.com

Due to the constant evolution of standards and equipment, the specifications indicated in the text and images of this document can only be guaranteed after confirmation by our departments
Print: Schneider Electric
Photos: Schneider Electric

©2016 Schneider Electric. All Rights Reserved. Schneider Electric, OsiSense, and Telemecanique are trademarks and the property of Schneider Electric SE, its subsidiaries and affiliated companies. All other trademarks are the property of their respective owners.