

## Datasheet

# RS PRO NYLON-INSULATED RING

## TERMINALS

Stock number: 178-8645

MAXIMUM ELECTRIC CURRENT:

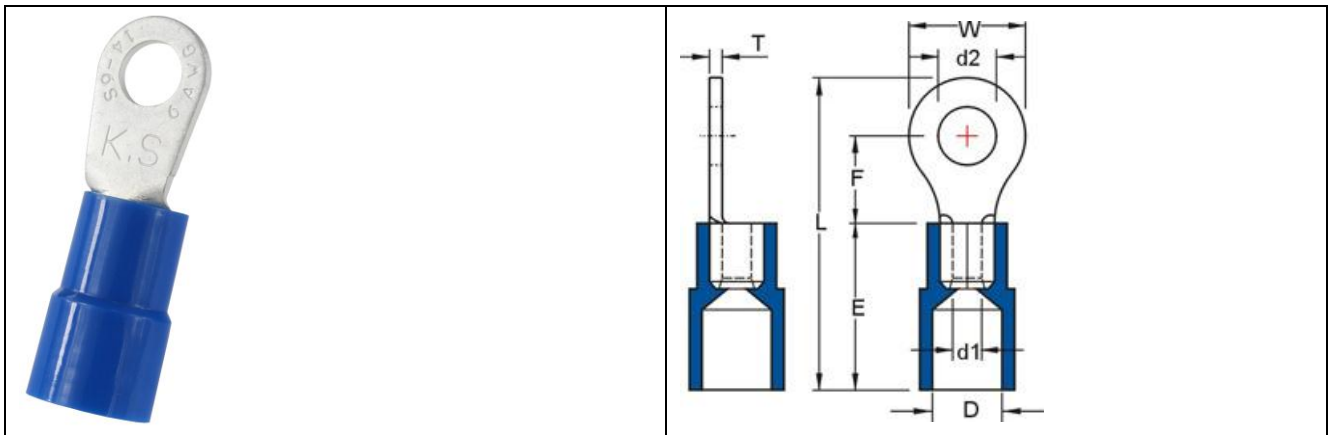
A.W.G.	6
AMP.	95

MAXIMUM ELECTRICAL RATING: 105° C 600 VOLTS MAX.

INSULATION MATERIAL: NYLON

TERMINAL MATERIAL: COPPER

INSULATION COLOR: BLUE



WIRE RANGE A.W.G. mm <sup>2</sup>	ITEM NO.	STUD SIZE	DIMENSION inch(mm)								
			BRAZED SEAM	d2	W	F	L	E	D	d1	T
6 A.W.G.	178-8645	1/4		0.252	0.472	0.524	1.606	0.846	0.433	0.228	0.059
14 mm <sup>2</sup>				6.4	12	13.3	40.8	21.5	11.000	5.8	1.5