

Product Compliance

[For compliance documentation, visit the product page on TE.com>](#)

EU RoHS Directive 2011/65/EU	Compliant
EU ELV Directive 2000/53/EC	Compliant
China RoHS 2 Directive MIIT Order No 32, 2016	No Restricted Materials Above Threshold
EU REACH Regulation (EC) No. 1907/2006	Current ECHA Candidate List: JAN 2025 (247) Candidate List Declared Against: JUNE 2022 (224) Does not contain REACH SVHC
Halogen Content	Low Halogen - Br, Cl, F, I < 900 ppm per homogenous material. Also BFR/CFR/PVC Free
Solder Process Capability	Not applicable for solder process capability

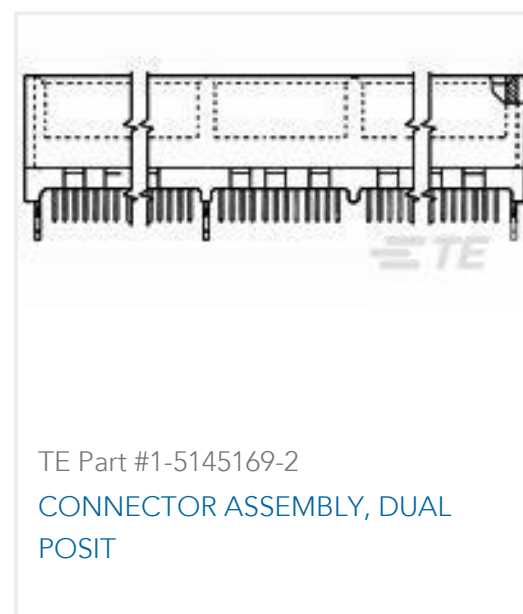
Product Compliance Disclaimer

This information is provided based on reasonable inquiry of our suppliers and represents our current actual knowledge based on the information they provided. This information is subject to change. The part numbers that TE has identified as EU RoHS compliant have a maximum concentration of 0.1% by weight in homogenous materials for lead, hexavalent chromium, mercury, PBB, PBDE, DBP, BBP, DEHP, DIBP, and 0.01% for cadmium, or qualify for an exemption to these limits as defined in the Annexes of Directive 2011/65/EU (RoHS2). Finished electrical and electronic equipment products will be CE marked as required by Directive 2011/65/EU. Components may not be CE marked. Additionally, the part numbers that TE has identified as EU ELV compliant have a maximum concentration of 0.1% by weight in homogenous materials for lead, hexavalent chromium, and mercury, and 0.01% for cadmium, or qualify for an exemption to these limits as defined in the Annexes of Directive 2000/53/EC (ELV). Regarding the REACH Regulation, the information TE provides on SVHC in articles for this part number is based on the latest European Chemicals Agency (ECHA) 'Guidance on requirements for substances in articles' posted at this URL: <https://echa.europa.eu/guidance-documents/guidance-on-reach>

Customers Also Bought



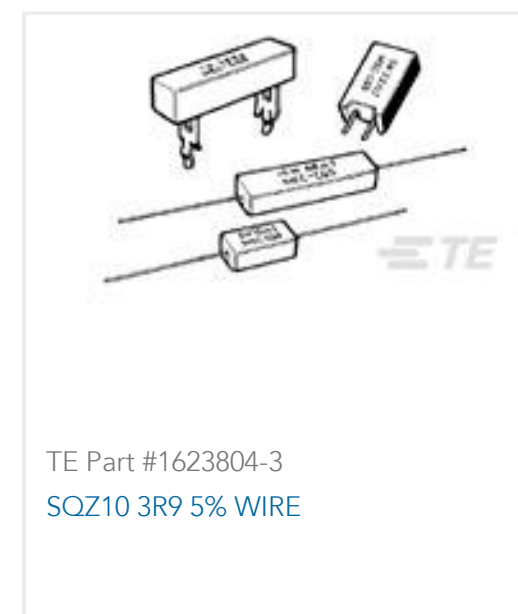
TE Part #5-2316114-6
2MM,REC,CNT,CRIMP,28-30AWG,0.76
UM,LP



TE Part #1-5145169-2
CONNECTOR ASSEMBLY, DUAL
POSIT



TE Part #480763-1
05P UMNL PLUG HSG BRN



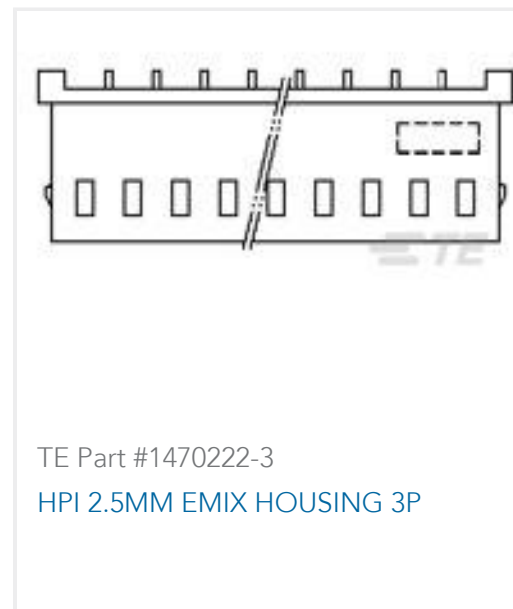
TE Part #1623804-3
SOQ10 3R9 5% WIRE



TE Part #2-535512-3
32 MODII HORZ DR CE EESS .100



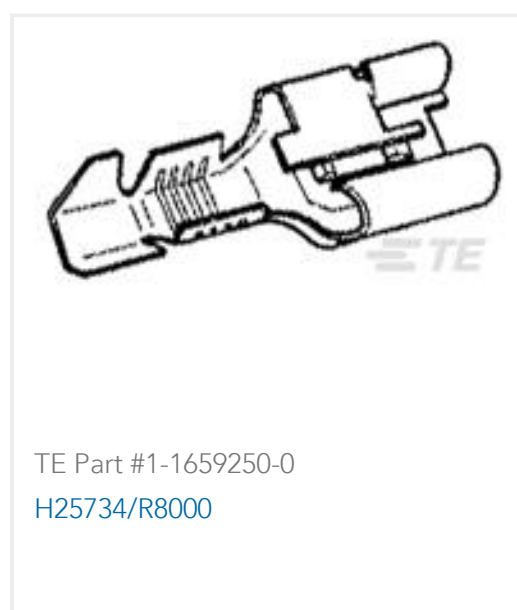
TE Part #643431-1
04P MTA100 HDR ASSY W/O#2



TE Part #1470222-3
HPI 2.5MM EMIX HOUSING 3P



TE Part #60319-2
AMPLIVAR RG 23-19 10 TPBR



TE Part #1-1659250-0
H25734/R8000



TE Part #1-2319848-6
END STACK DIP 6P J RECESS TUBE

Documents

CAD Files

Customer View Model

[ENG_CVM_CVM_350558-4_T.2d_dxf.zip](#)

English

3D PDF

3D

Customer View Model

[ENG_CVM_CVM_350558-4_T.3d_igs.zip](#)

English

Customer View Model

[ENG_CVM_CVM_350558-4_T.3d_stp.zip](#)

English

By downloading the CAD file I accept and agree to the [Terms and Conditions](#) of use.

Datasheets & Catalog Pages

[SOFT_SHELL_PIN_SOCKET_CONNECTORS_STANDARD_DENSITY](#)

English

Product Specifications



Application Specification

English