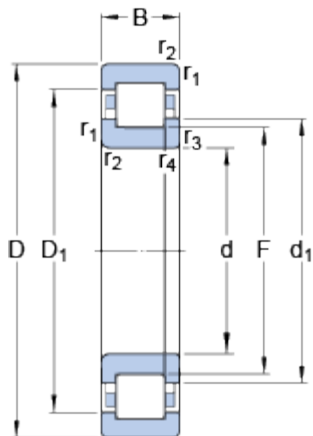


NUP 2205 ECP

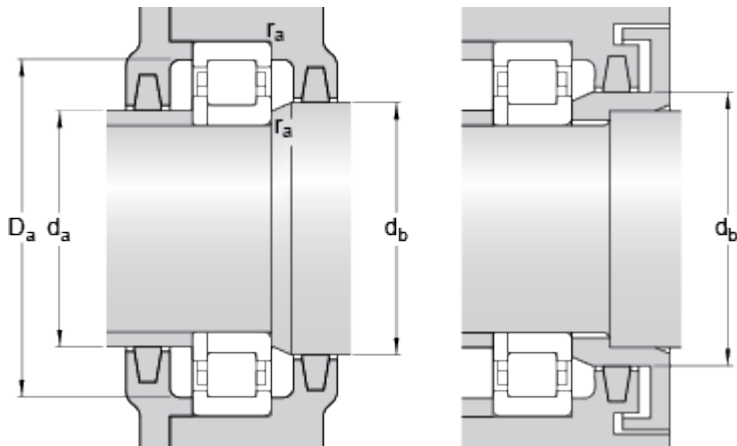
Popular item
SKF Explorer

Dimensions



| | | |
|------------------|----------|----|
| d | 25 | mm |
| D | 52 | mm |
| B | 18 | mm |
| d ₁ | ≈ 34.7 | mm |
| D ₁ | ≈ 43.3 | mm |
| F | 31.5 | mm |
| r _{1,2} | min. 1 | mm |
| r _{3,4} | min. 0.6 | mm |

Abutment dimensions



| | | |
|----------------|-----------|----|
| d _a | min. 29.9 | mm |
| d _b | min. 36 | mm |
| D _a | max. 46.4 | mm |
| r _a | max. 1 | mm |

Calculation data

| | | | |
|---------------------------|----------------|-------|-------|
| Basic dynamic load rating | C | 39 | kN |
| Basic static load rating | C ₀ | 34 | kN |
| Fatigue load limit | P _u | 4.25 | kN |
| Reference speed | | 15000 | r/min |
| Limiting speed | | 16000 | r/min |
| Calculation factor | k _r | 0.2 | |
| Limiting value | e | 0.3 | |
| Axial load factor | Y | 0.4 | |

Mass

| | | |
|--------------|------|----|
| Mass bearing | 0.17 | kg |
|--------------|------|----|

