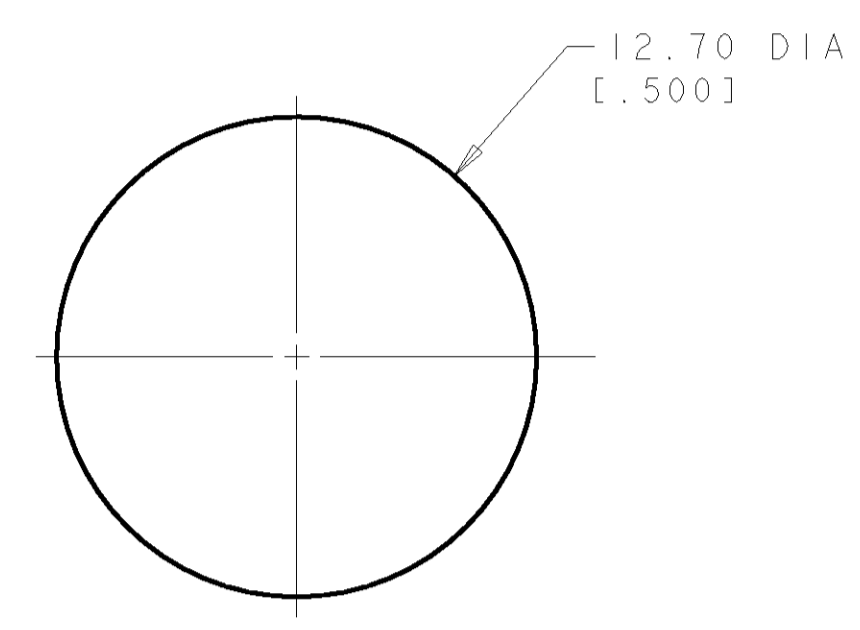
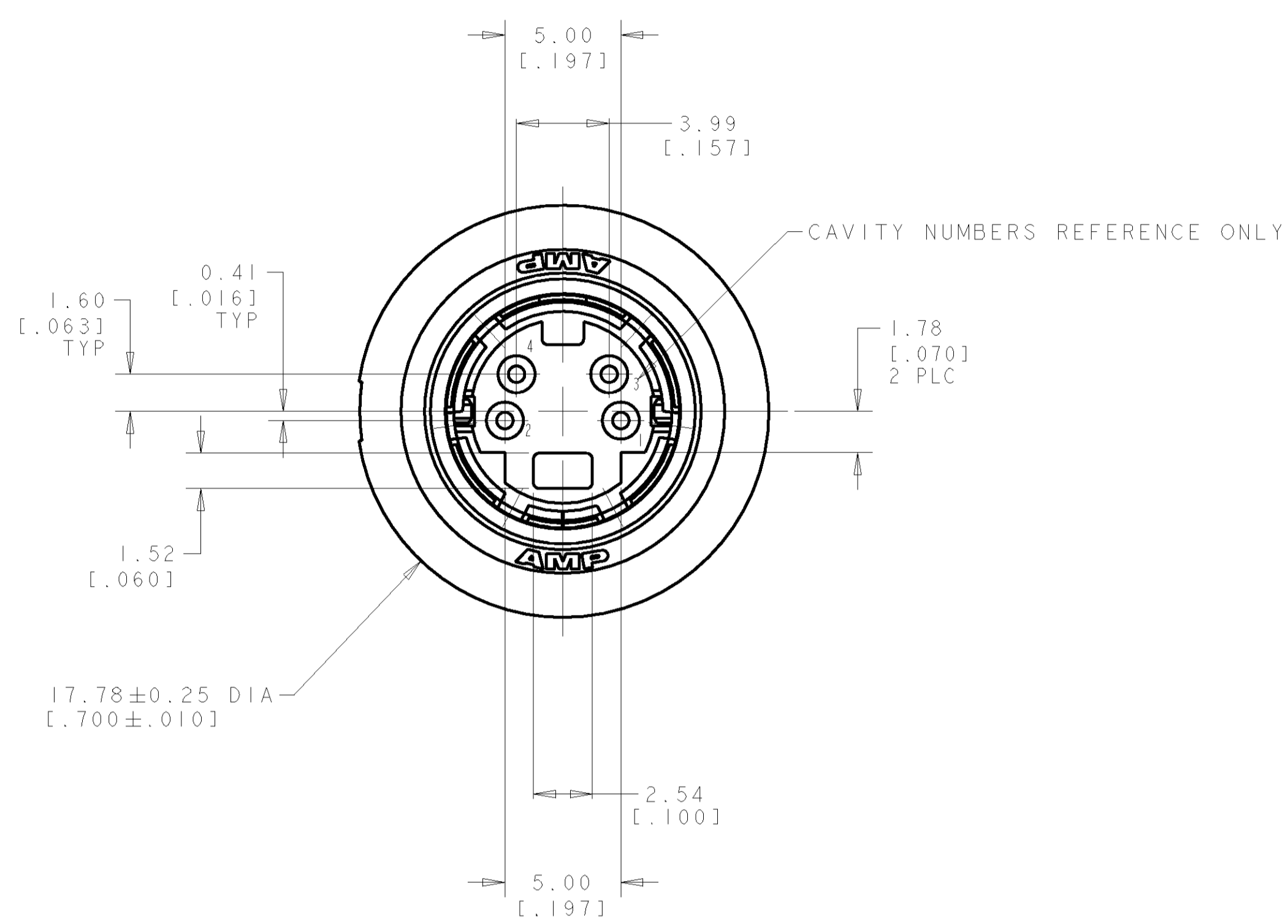
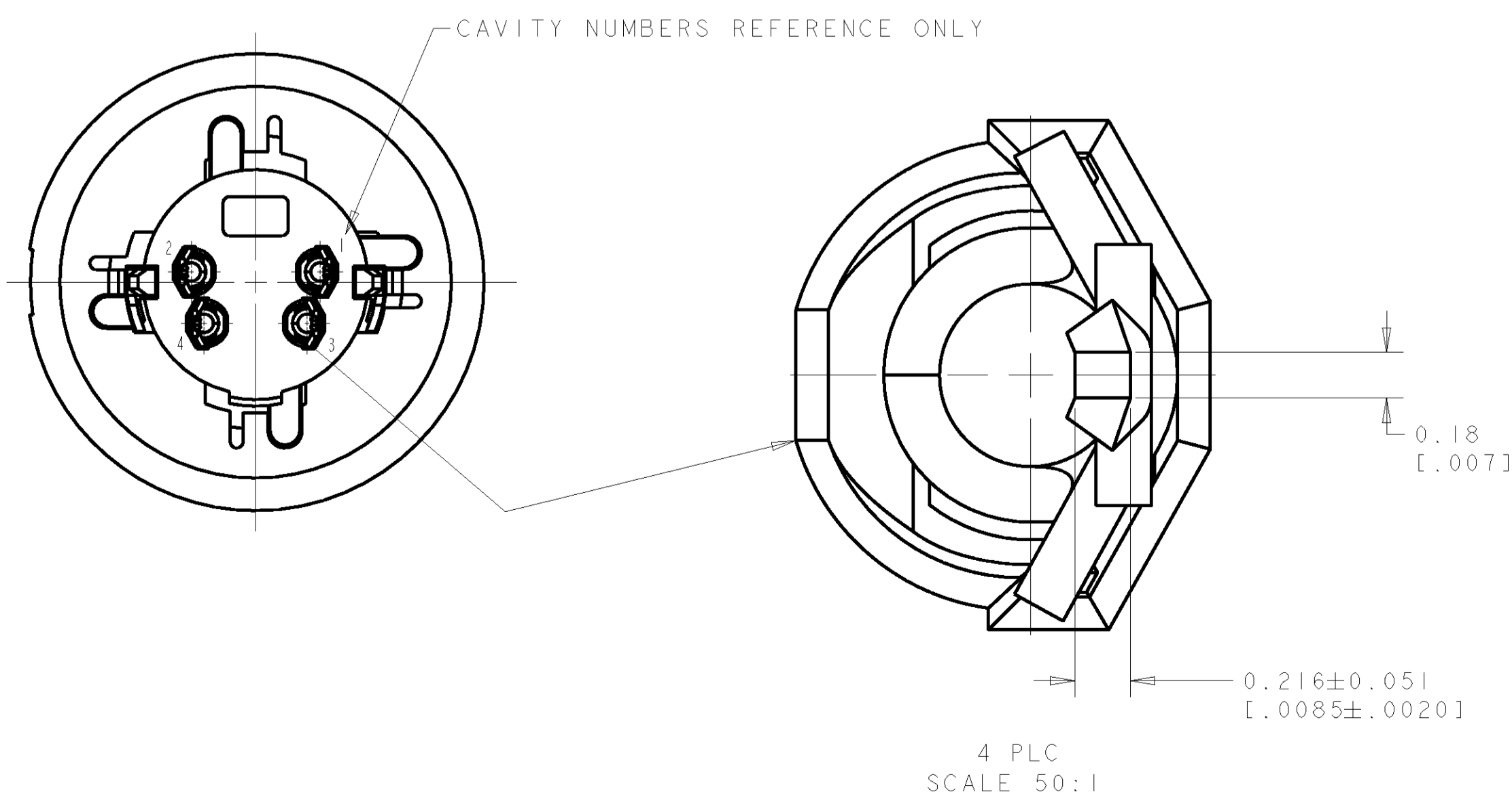
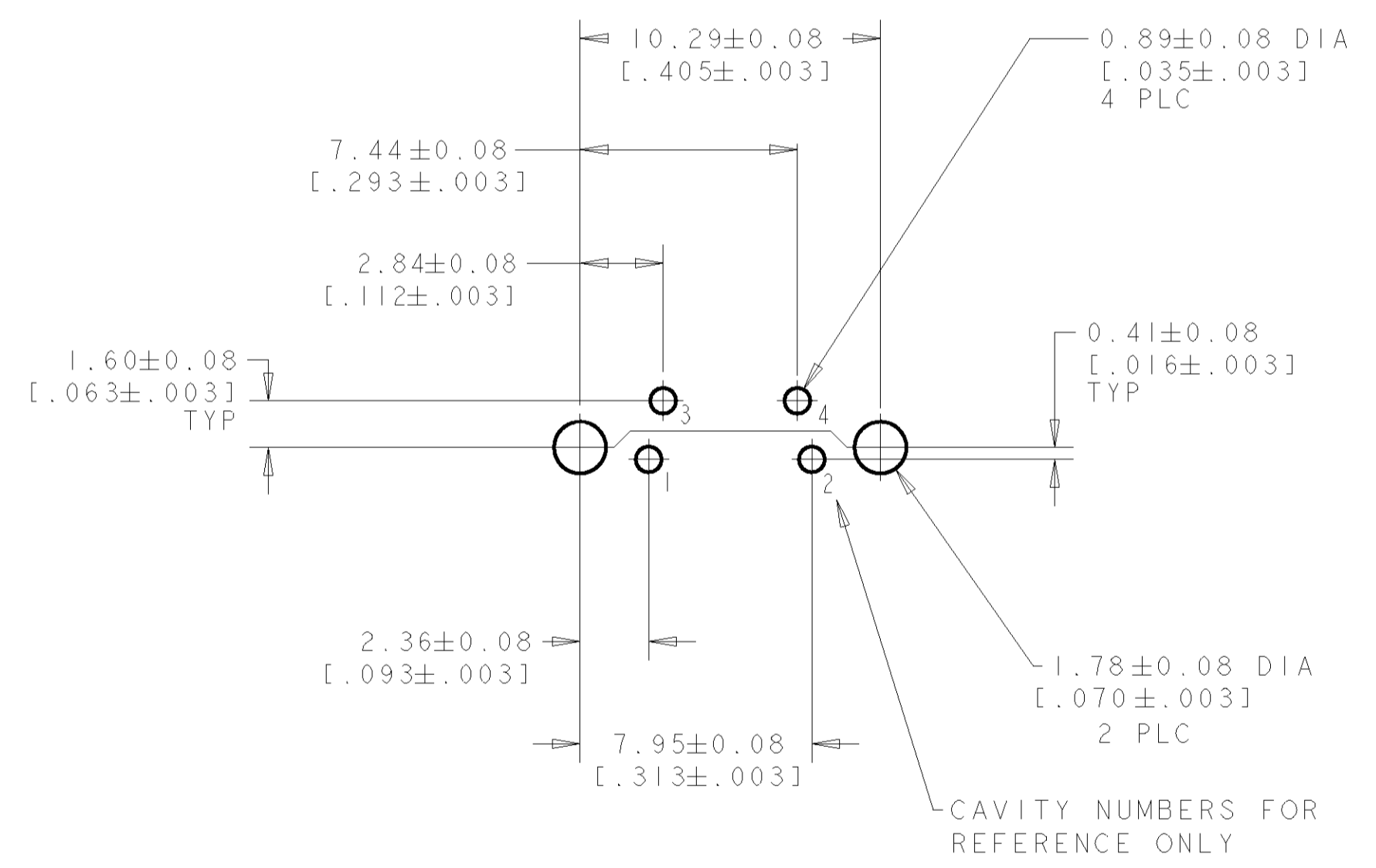
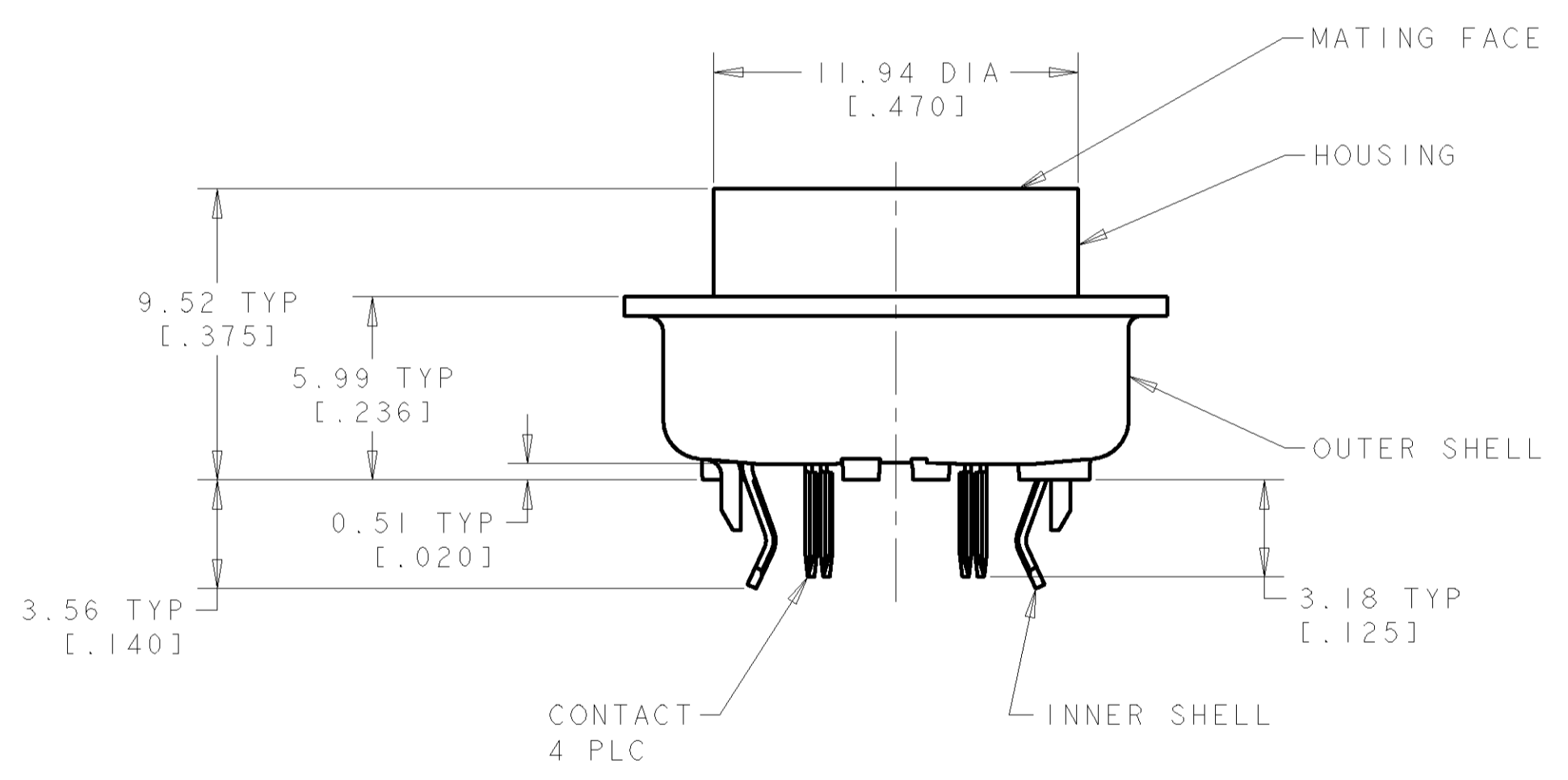


| REVISONS | | DATE | DNM | APRD | | |
|----------|------|--------|------------------|-----------|-----|------|
| LOC | DIST | F. LTR | DESCRIPTION | DATE | DNM | APRD |
| 0 | | | NPR FP00-0216-04 | 30AUG2004 | LWY | LSF |



- 1 SHELLS: BRASS; CONTACTS: PHOSPHOR BRONZE; HOUSING: POLYESTER, UL 94V-0 RATED, BLACK.
- 2 0.76 μm [.000030] MIN GOLD ON MATING END FOR A LENGTH OF 1.37 [.054] MIN ON INSIDE, 2.54 μm [.000100] MIN TIN FOR A LENGTH OF 3.30 [.130] MIN FROM OPPOSITE END, ALL OVER 1.27 μm [.000050] MIN NICKEL.
- 3 0.38 μm [.000015] MIN GOLD ON MATING END FOR A LENGTH OF 1.37 [.054] MIN ON INSIDE, 2.54 μm [.000100] MIN TIN FOR A LENGTH OF 3.30 [.130] MIN FROM OPPOSITE END, ALL OVER 1.27 μm [.000050] MIN NICKEL.
- 4. RECEPTACLE ASSEMBLY MATES WITH 4 PIN, 8.99±0.10 [.354±.004] DIAMETER PLUG.



| | |
|----------------|-----------|
| CONTACT FINISH | 5750317-2 |
| PART NO | 5750317-1 |

| | | | |
|--|---|---|--|
| <small>THIS DRAWING IS A CONTROLLED DOCUMENT FOR AMP INCORPORATED. ALL DIMENSIONS ARE IN MILLIMETERS UNLESS OTHERWISE SPECIFIED. ORGANIZATION SHOULD BE CONTACTED FOR THE LATEST REVISION.</small> | | DWN: WYILE CBY: SF LEONG APD: SF LEONG | 30AUG2004 Tyco Electronics Singapore Pte. Ltd. |
| DIMENSIONS: mm [INCHES] | TOLERANCES UNLESS OTHERWISE SPECIFIED: 0' PLC ± 1' PLC ±0.13 [.005] 2' PLC ± 3' PLC ± 4' PLC ± ANGLES ± | NAME: RECEPTACLE ASSEMBLY, 4 POSN, LOW FLANGE, SHIELDED, VERTICAL, MINIATURE CIRCULAR DIN PRODUCT SPEC APPLICATION SPEC | SIZE: A1 CAGE CODE: 00779 DRAWING NO: 5750317 SCALE: 5:1 SHEET: 1 OF 1 REV: 0 |
| MATERIAL | FINISH | WEIGHT | CUSTOMER DRAWING |