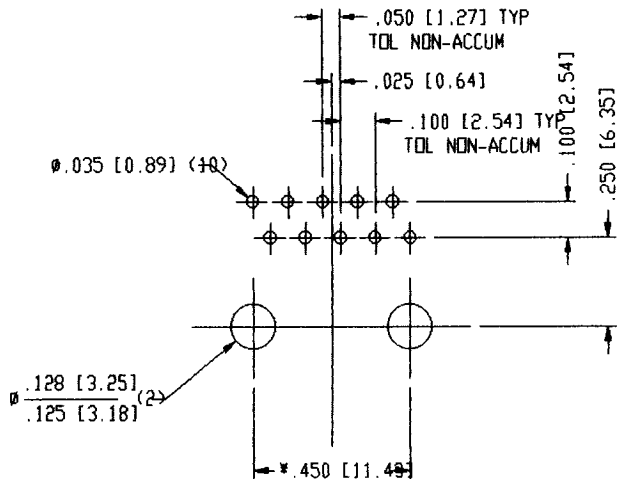
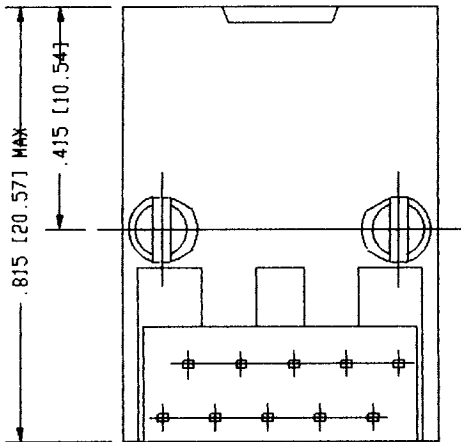
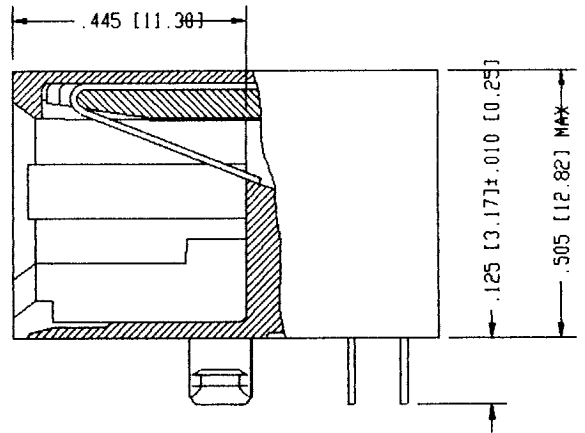
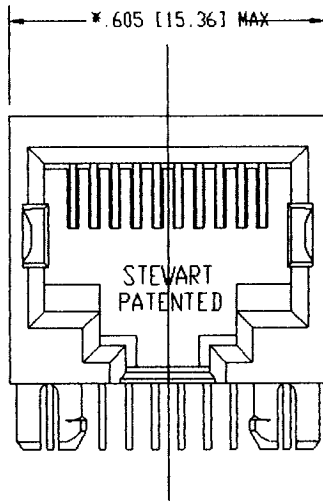


STEWART
CONNECTOR
SYSTEMS, INC.

R. D. 2, BOX 2020 GLEN ROCK, PENNSYLVANIA 17327

PART NO. SS-641010-NF
TEN CONTACT, TEN POSITION, JACK
"NF" NON-FLANGE



NOTE:

- TOLERANCE COMPLY WITH F.C.C. DIMENSION REQUIREMENTS ALL OTHERS $\pm .005$ [0.13] UNLESS OTHERWISE SPECIFIED.
- DIMENSIONS SHOWN WITH "*" TO BE CENTRAL ABOUT CENTER LINE

P.C.B. RECOMMENDED HOLE LAYOUT
SEEN FROM COMPONENT SIDE
TOLERANCE $\pm .003$ [0.08] UNLESS OTHERWISE SPECIFIED

AVAILABLE WITH:

- 30 & 50. MICRO-INCH SELECTIVE GOLD PLATING
- LOADED 1 - 10 CONTACTS

CT640067A1