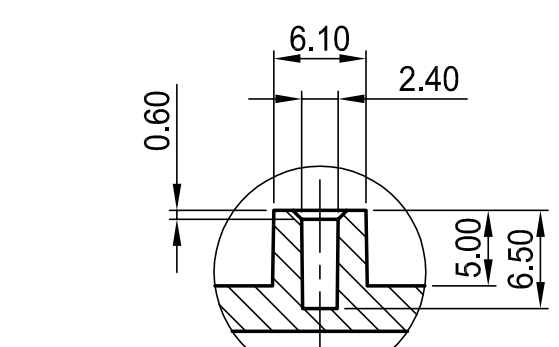
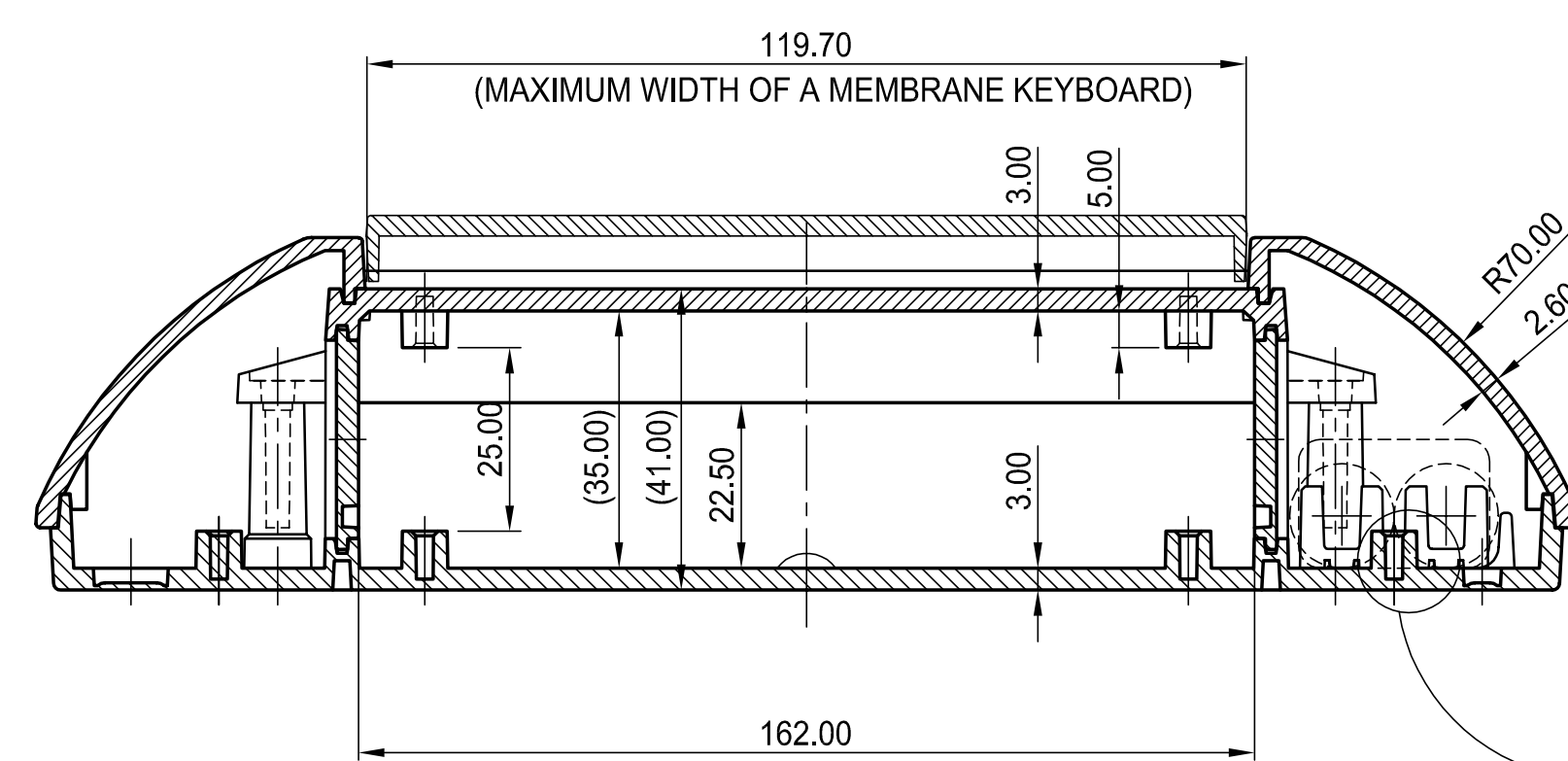
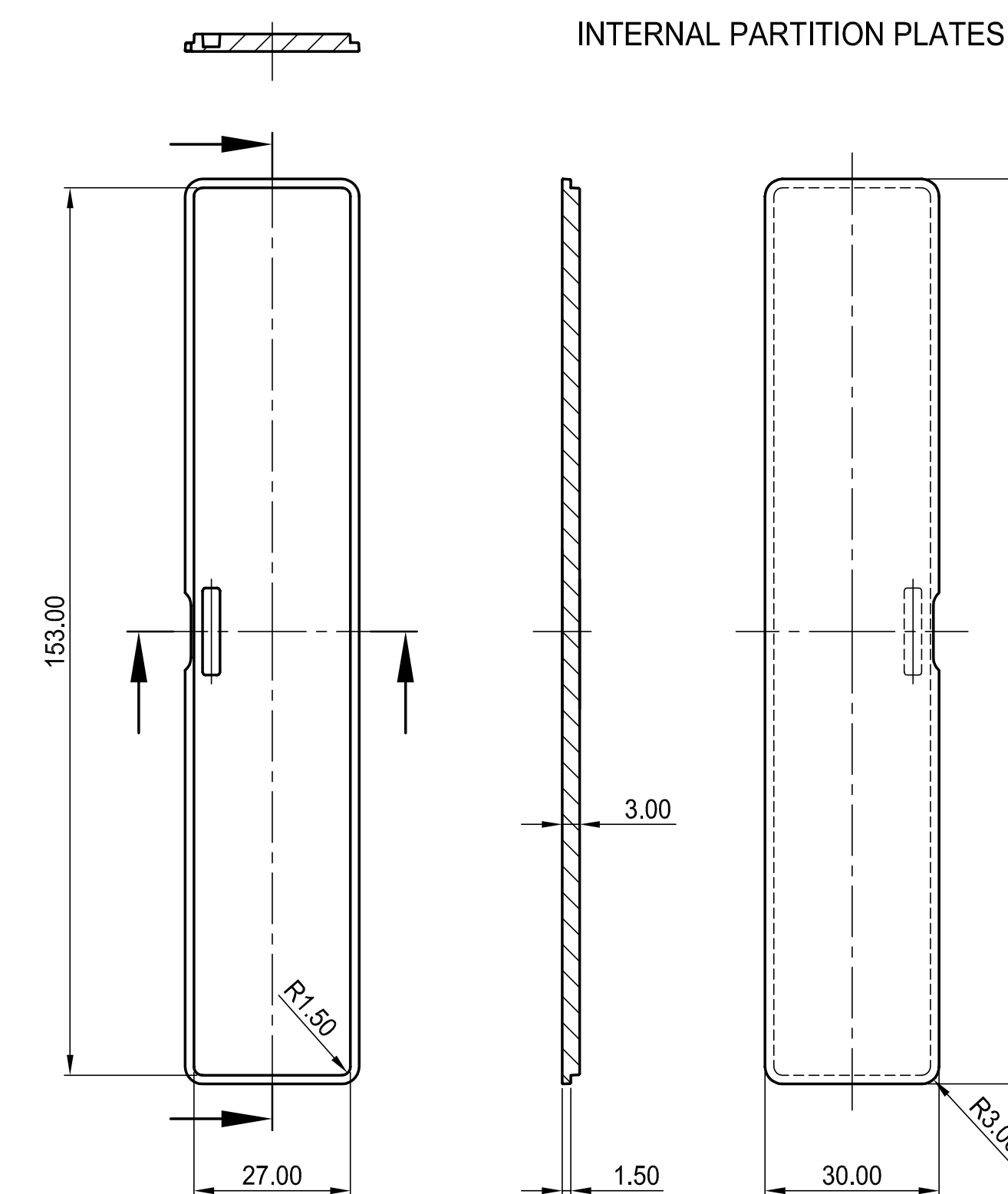


FIXING ELEMENTS FOR THE SNAP MECHANISM

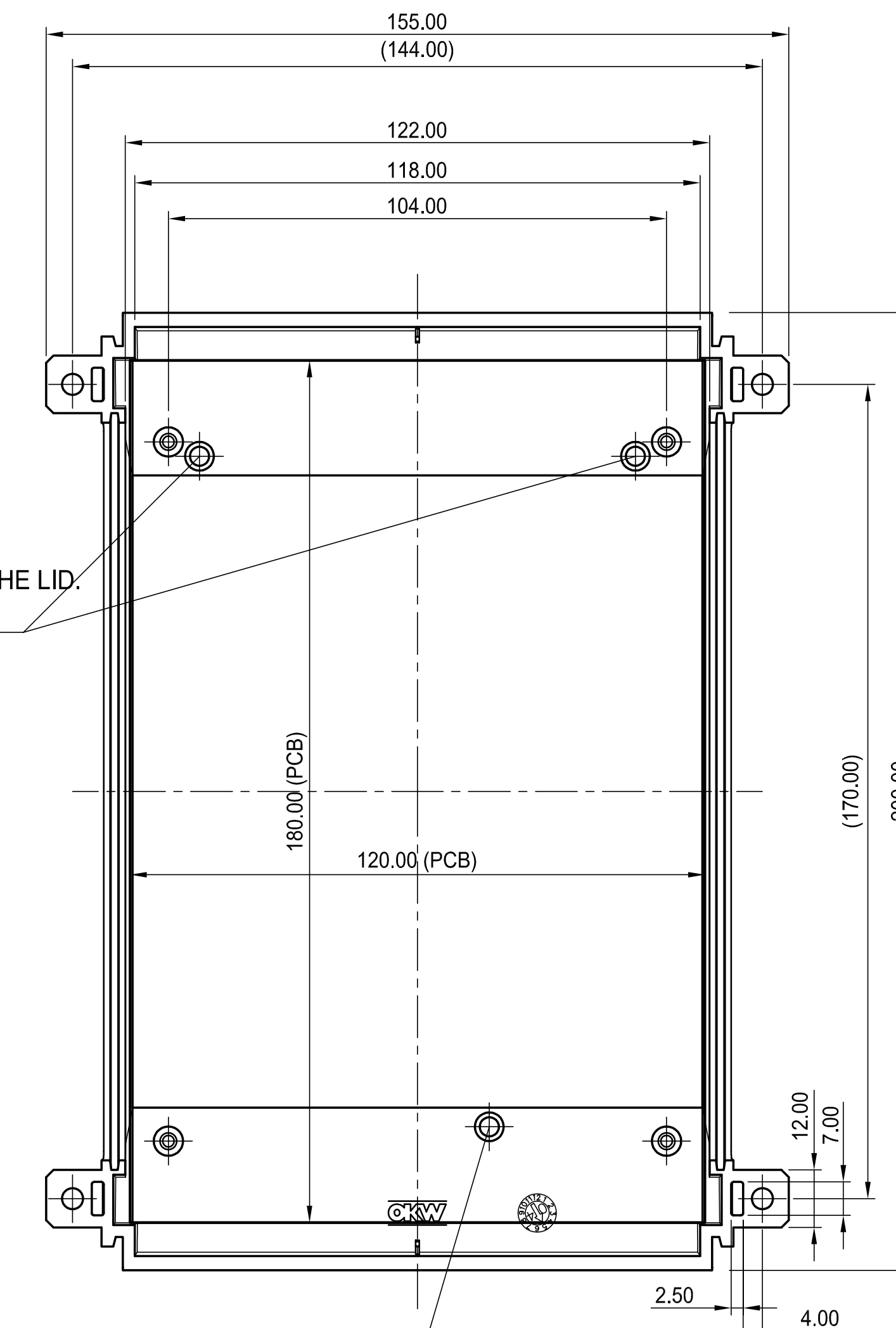
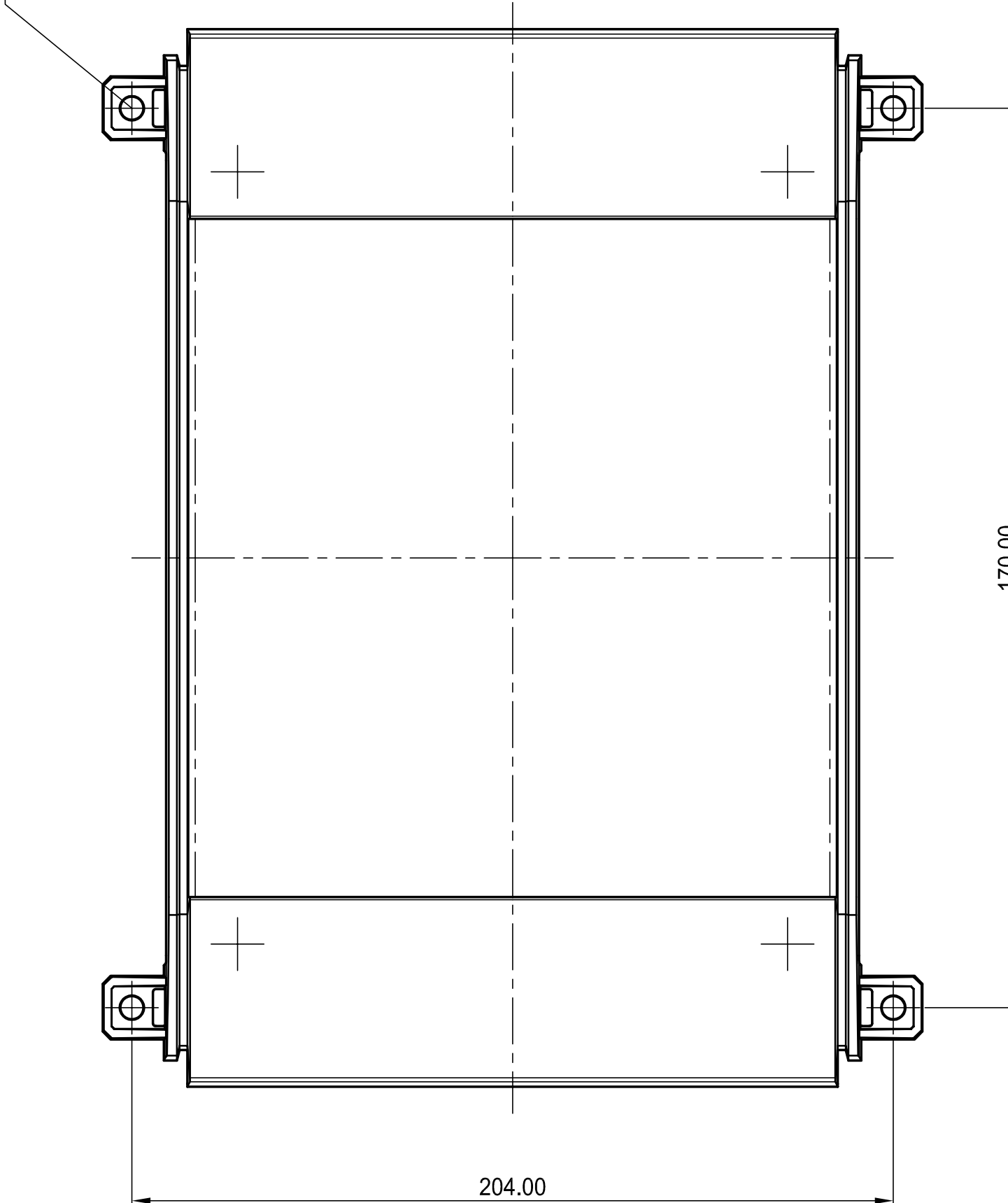


USE SELFTAPPING SCREWS E.G. 3 x 6 MM CROSSHEADED (A 03 06 031)



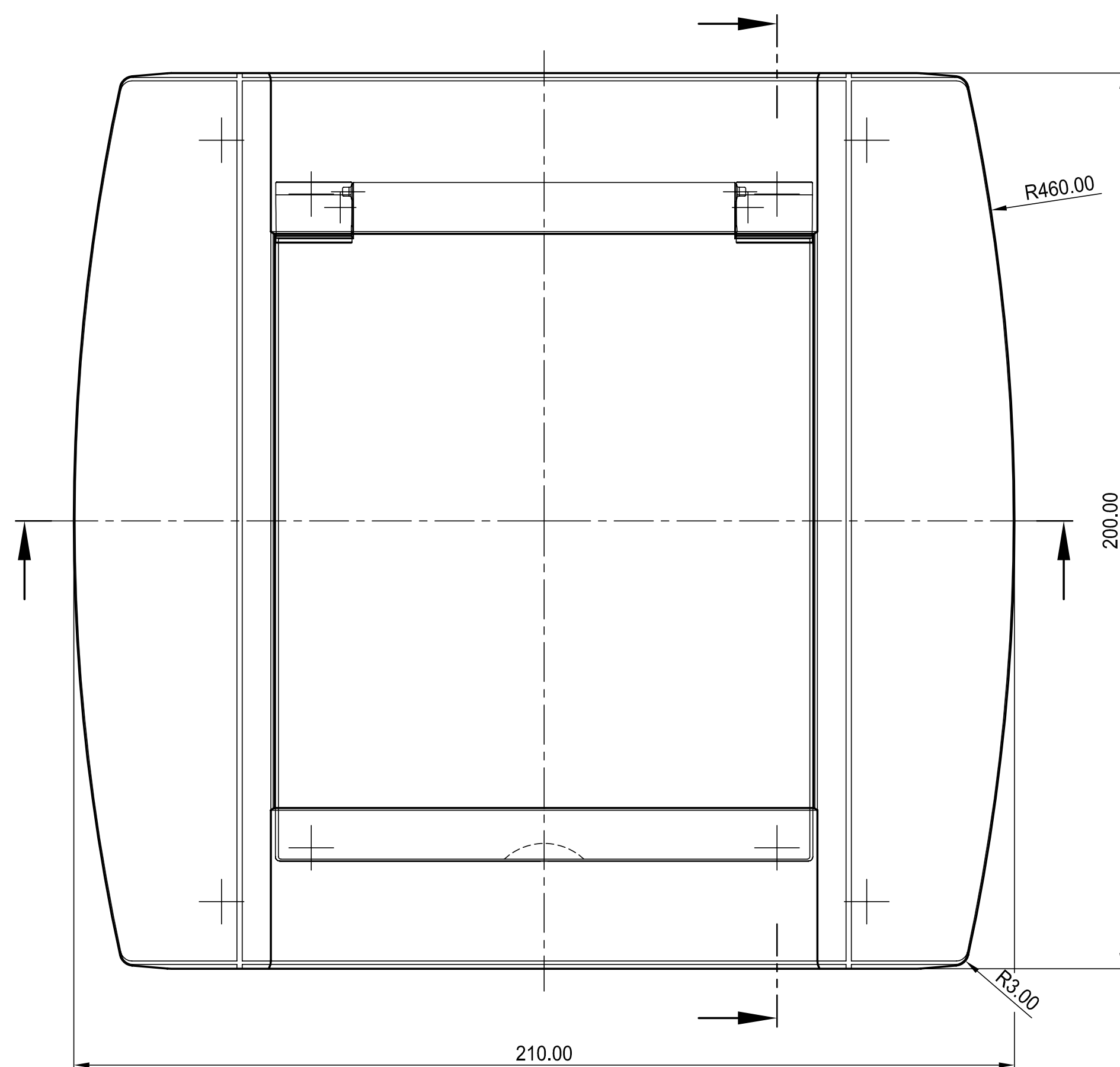
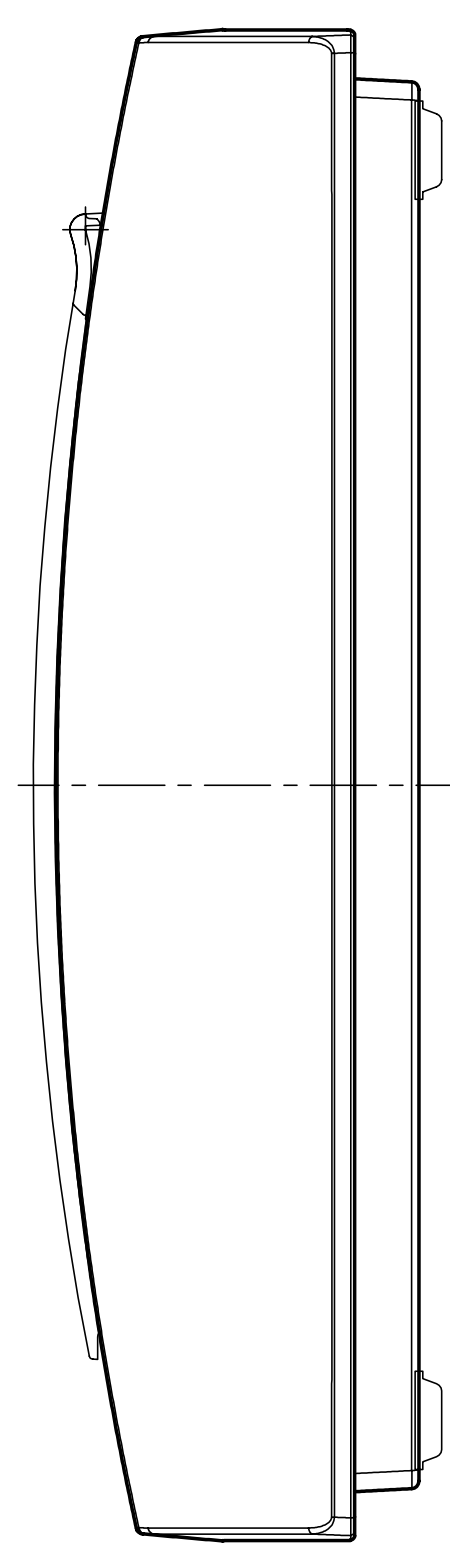
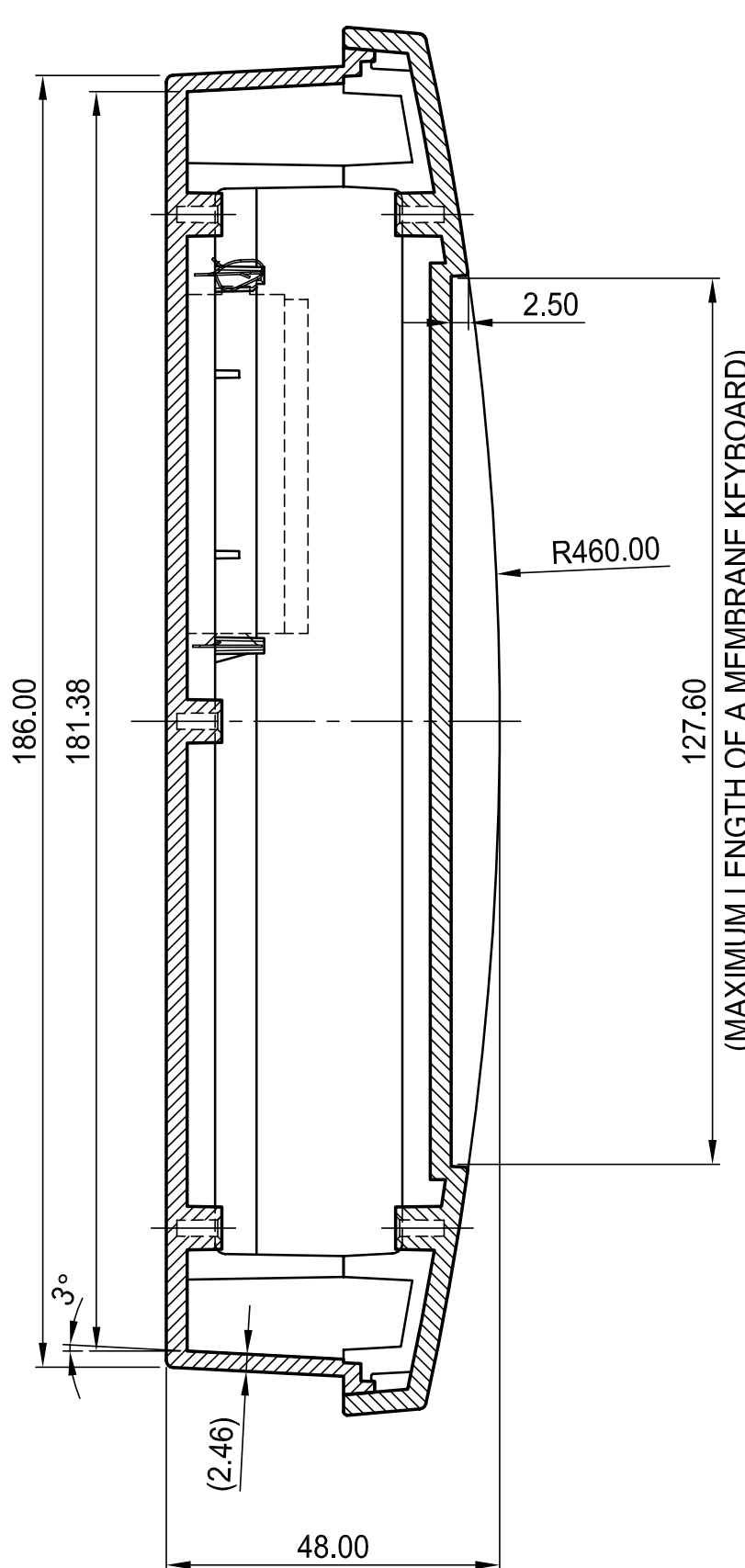
INTERNAL PARTITION PLATES

4 SELFTAPPING SCREWS 4 x 16 MM CROSSHEADED COME WITH THE ASSEMBLY KIT

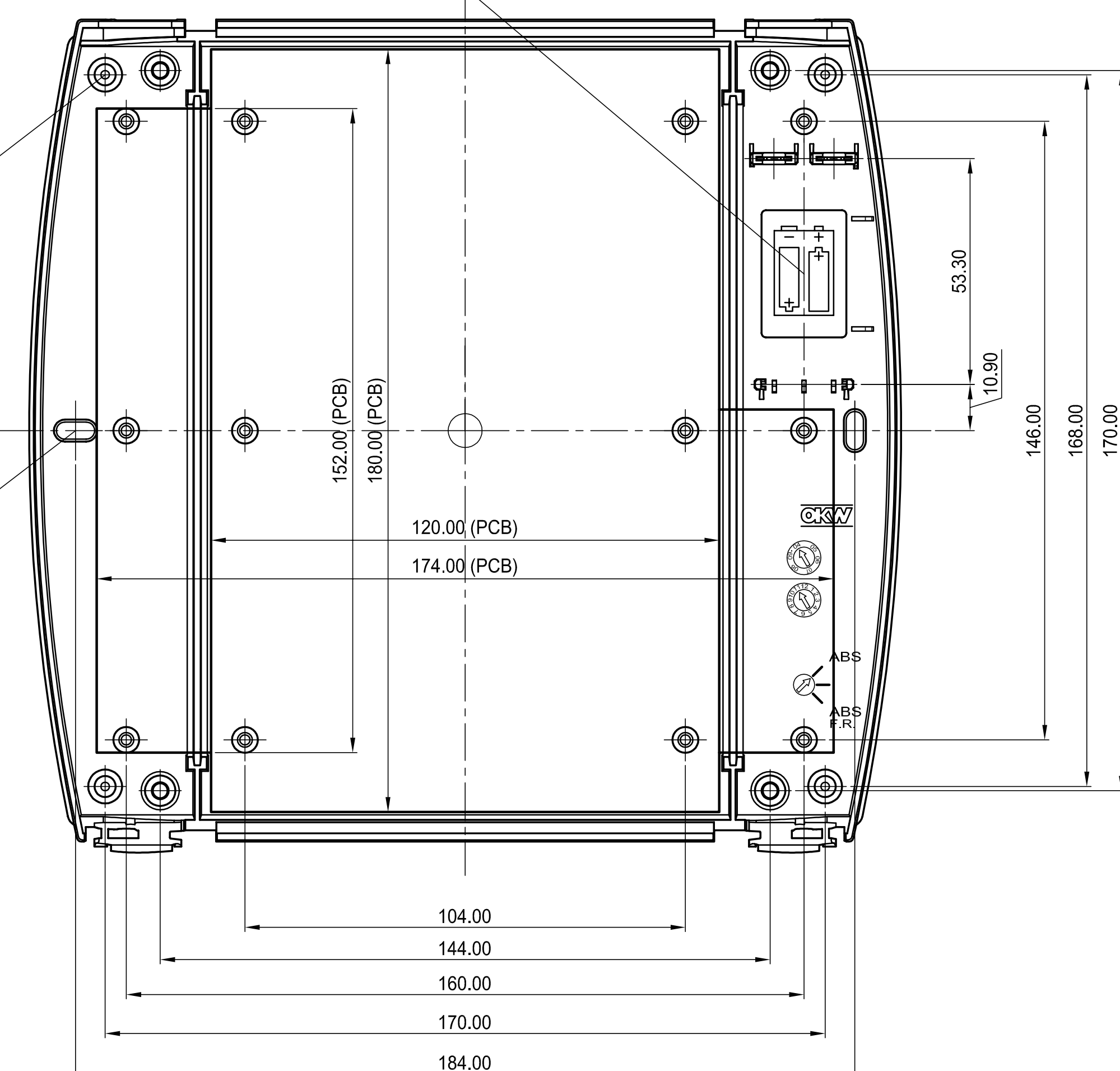


PREMOULDED HOLES FOR FASTENING THE LID. TO BORE UP WITH D 4.0.

PREMOULDED HOLES FOR FIXING THE HINGED LID. TO BORE UP WITH D 4.0. USE BUSH OF BRASS M3 x 4 (AS 03 69 15) AND A SCREW M3 x 8 (AS 05 07 47)

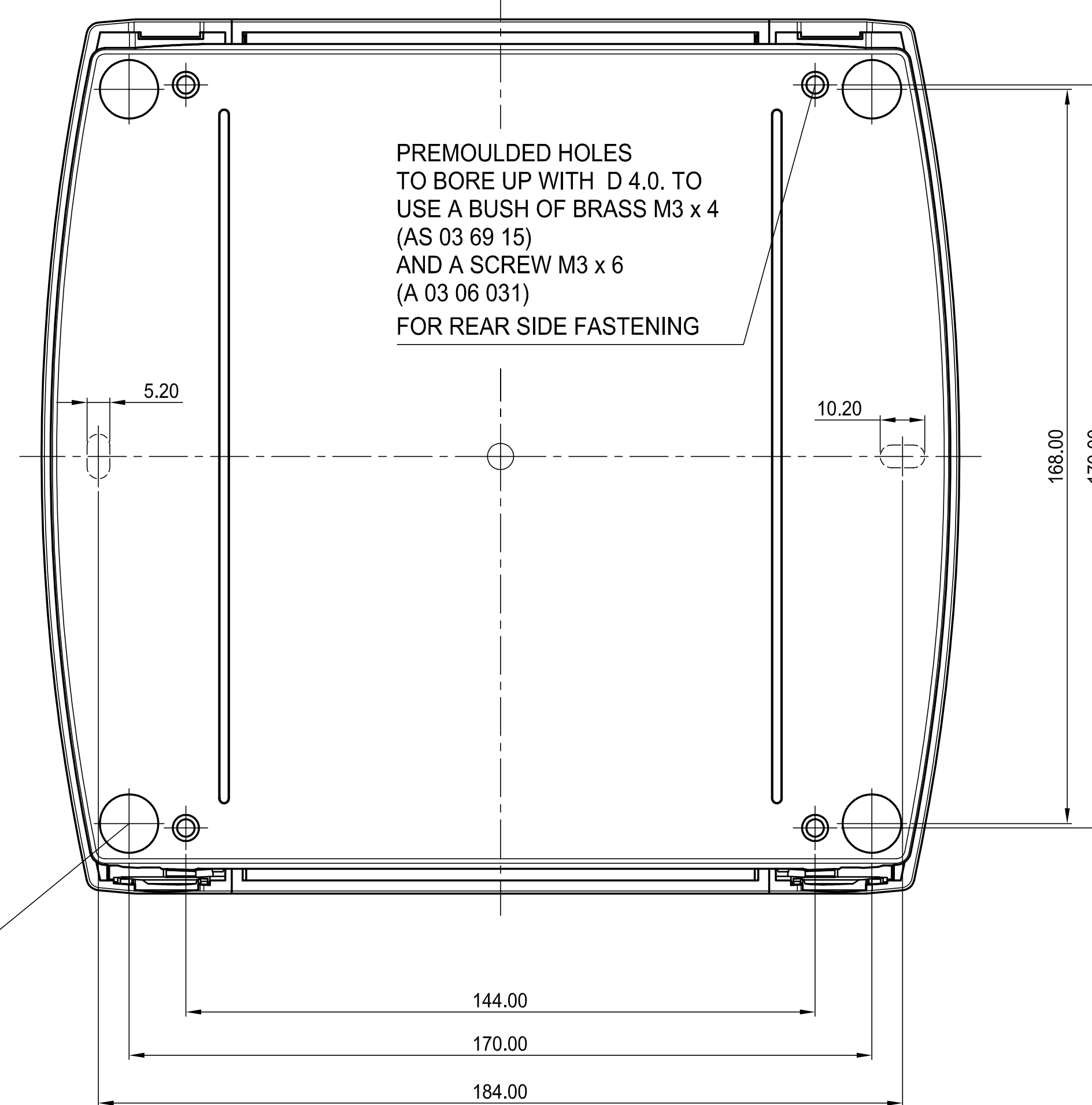


SET OF BATTERY CLIPS FOR TWO 1.5V AA-ROUND-CELLS (A 91 90 002) PLUG IN CONTACT FOR ONE 9V FLAT-BATTERY (A 91 60 003)



USE COUNTER SUNK SCREWS (E.G. SPAX)

USE SCREWS ACC. TO DIN 7981 (E.G. 4.2 or 4.8 x 25 MM)



PREMOULDED HOLES TO BORE UP WITH D 4.0. TO USE A BUSH OF BRASS M3 x 4 (AS 03 69 15) AND A SCREW M3 x 6 (A 03 06 031) FOR REAR SIDE FASTENING

USE RUBBER FEET E.G. D12 x 3.8 MM (A 92 12 330)

Informationskopie wird nicht aktualisiert		Copy for information will not be updated		Best.-nr.: 1102.04 Hersteller: 8928 Fräse: 2 Stück: 33.00	Material: 080 1000 1130 Farbe: RAL 9005 Zeichnung: 010001	Maßstab: 1:1 Blatt: 1 von 1
Technische Änderungen vorbehalten. Irrtümer und Druckfehler begünstigen keine Ansprüche auf Schadenersatz. Wichtige Größen mußte bitte direkt mit dem aktuellen Produkt abstimmen. Subject to technical modification without other notice. Typographical and other errors do not justify any claim for damages. All dimensions should be verified using an actual moulded part.				This document contains proprietary information of DIATEC Systemtechnik GmbH. It is to be used only for the purposes for which it was created. It is not to be reproduced, stored in a retrieval system, or transmitted in any form or by any means, electronic, mechanical, photocopying, recording, or by any information storage and retrieval system, without the prior written permission of DIATEC Systemtechnik GmbH.		Hersteller: DIATEC SYSTEMTECHNIK 010001
GEHÄUSE SYSTEME		DIATEC S COMPLETE ENCLOSURE		AG903**		20050452