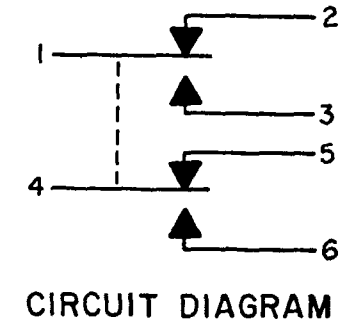


MICRO SWITCH
 FREEPORT ILLINOIS U S A
 A DIVISION OF HONEYWELL
 FED. MFG. CODE 91929

SWITCH - ENCLOSED

CATALOG LISTING
602EN55-6



602EN55-6

M

DRAWING NUMBER

ISSUE

15

REVISIONS

A	C044351	D J W	MAR 80
B	C047573	J A P	AUG 80
C	C049805C	K A G	SEP 81
D	C057370	J A P	MAY 85
E	C095068	G J W	MAY 99

CHECK

C E E

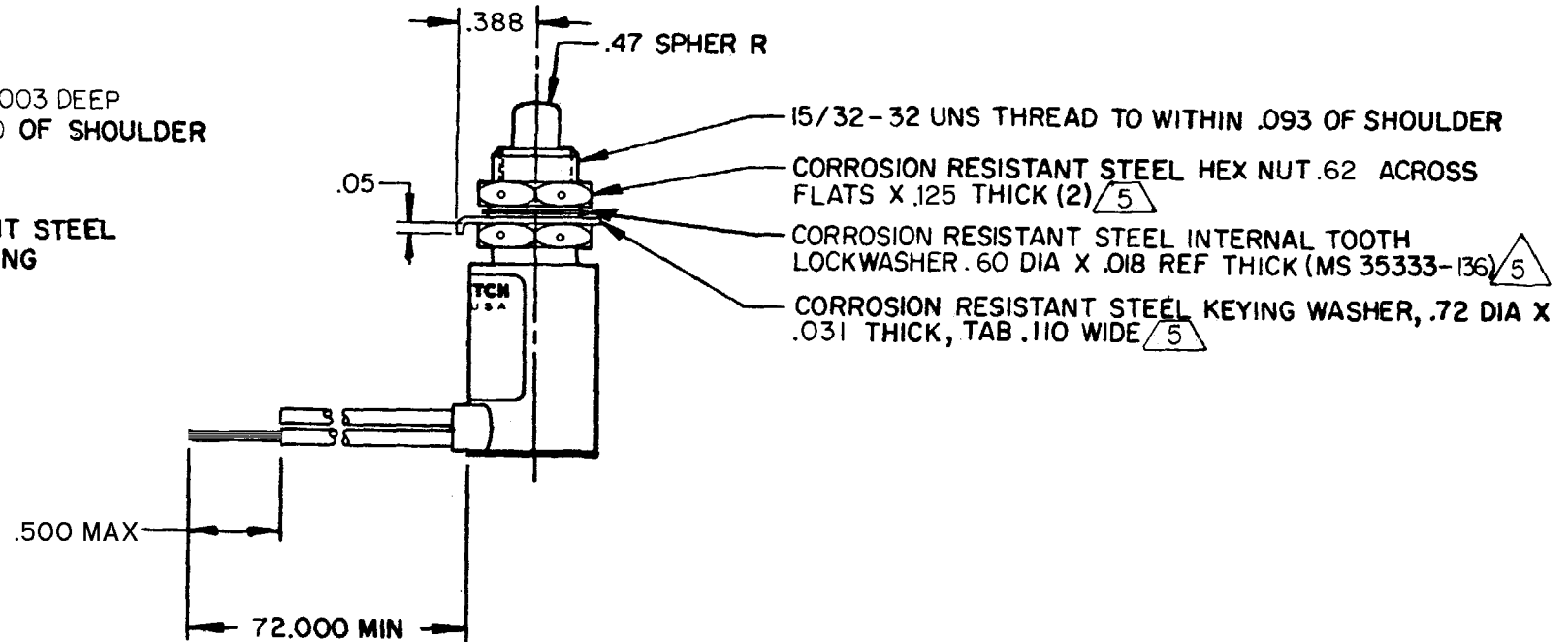
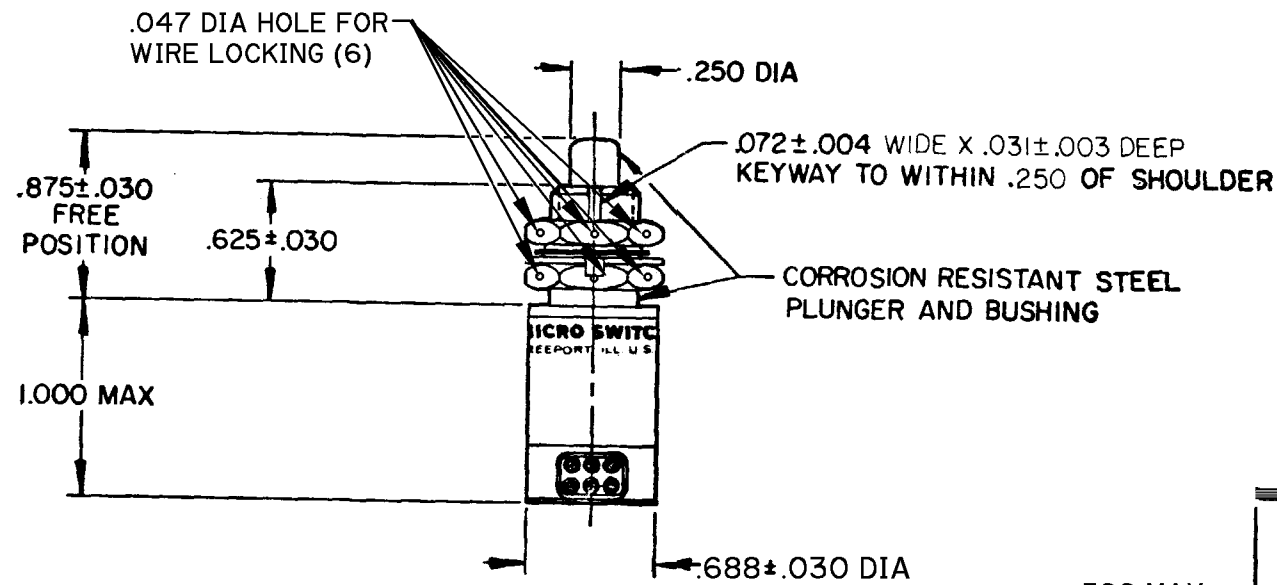
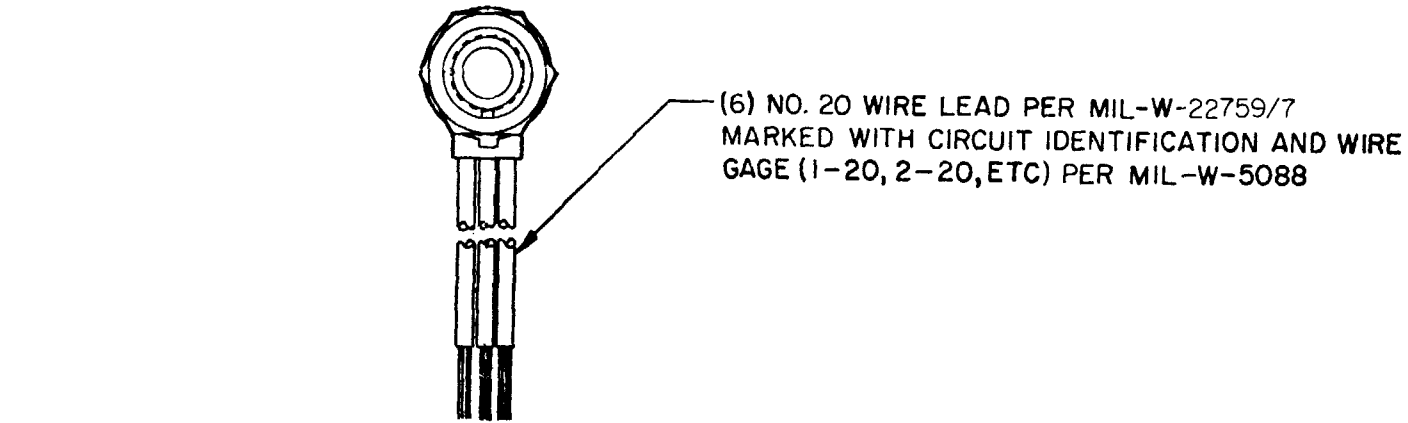
C H E C K

D R A W N

FORMTEK

REPLACES

RELEASE NO. SR-12628



NOTES

- 1 - CORROSION RESISTANT STEEL ENCLOSURE
- 2 - CIRCUIT DIAGRAM, FED MFG. CODE, DATE CODE AND CAT. LIST. ARE SHOWN ON NAMEPLATE
- 3 - SWITCH SEALED PER MIL-PRF-8805 SYMBOL 4
- 4 - COINCIDENCE OF OPERATING AND RELEASING POINTS: .010 OF PLUNGER TRAVEL
- 5 - HARDWARE MAY BE PACKAGED UNASSEMBLED PER MIL-PRF-8805

THIS DRAWING COVERS A PROPRIETARY ITEM AND IS THE PROPERTY OF MICRO SWITCH, A DIVISION OF HONEYWELL. THIS DRAWING IS NOT TO BE COPIED OR USED WITHOUT THE APPROVAL OF MICRO SWITCH.

THIRD ANGLE PROJECTION

SCALE FULL

DO NOT SCALE PRINT

CHARACTERISTICS	
OPERATING FORCE	3-6 LB
FULL OVERTRAVEL FORCE	17 LB MAX
RELEASE FORCE	2 LB MIN
PRETRAVEL	.040 MAX
DIFFERENTIAL TRAVEL	.020 MAX
OVERTRAVEL	.125 MIN

ELECTRICAL DATA		
CONTACT ARRANGEMENT		
SPDT(2)		
28 VDC		
LOAD	SEA LEVEL	50,000 FT.
RES	7	7
IND	4	2.5
MOTOR	4	

TOLERANCES			
APPLY TO DESIGN UNITS. CONVERSIONS ARE ONLY FOR REFERENCE. UNLESS NOTED, TOLERANCES ARE ±			
DIM.	TOL.	DIM.	TOL.
in	mil/16	in	mil/16
NO PLACES	X	1/16	X
ONE PLACE	X,X	0.4/016	X,X
TWO PLACES	X,XX	0.15/008	X,XX
THREE PLACES	X,XXX	0.05/004	X,XXX
ANGLES			
SI METRIC		US CUSTOMARY	
DESIGN UNITS			
RAW MATERIAL-COMMERCIAL STANDARD			
MICRO SWITCH STANDARDS APPLY			
DIMENSIONS ARE TO BE MET BEFORE PROTECTIVE COATINGS ARE APPLIED			
WEIGHT		6.2 OZ MAX	