

## Features

- Panel neon indicators
- 200-250VAC
- 13x19mm cutout
- Green, Red, Amber/Orange

## RS PRO Indicators

RS Stock No.: 1917783, 1917784, 1917786




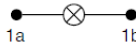


RS PRO is the own brand of RS. The RS PRO Seal of Approval is your assurance of professional quality, a guarantee that every part is rigorously tested, inspected, and audited against demanding standards. Making RS PRO the Smart Choice for our customers.

## Product Description

- High quality panel mount neon indicators, manufactured in Europe.*
- *Panel indicator lights are widely used to provide visual feedback to users and operators.*
  - *Applications include industrial machinery and control panels, household appliances and electronic equipment*
  - *These neon indicators are designed for use alongside rocker switch products, RS codes 793-2471 and 793-2443*

## General Specifications

	1917783	1917784	1917786
RS Codes			
Light Output Colour	Green	Red	Amber/Orange
Lamp Type	Neon		
Termination Type	4.8 x 0.8mm		
Type	Panel Mount		
Bezel Colour	Black		
Type Of Illumination	Fixed Light		
Function			

## Electrical Specifications

Voltage Rating	200-250VAC
Weight	4g

## Mechanical Specifications

Mounting Hole Size	13x19mm
Shape	Rectangle
Housing	PA66
Lens	PC
Terminals	Copper alloy

## Operation Environment Specifications

Temperature Rating	T120°C – Standard CEI IEC EN 60335-1 (applicable chapters)
	T65°C – Standard UL 496 CSA C22.2 N°55
GWT (Glow wire test)	850°C

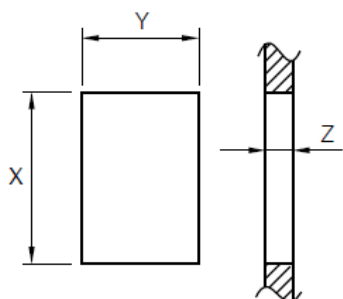
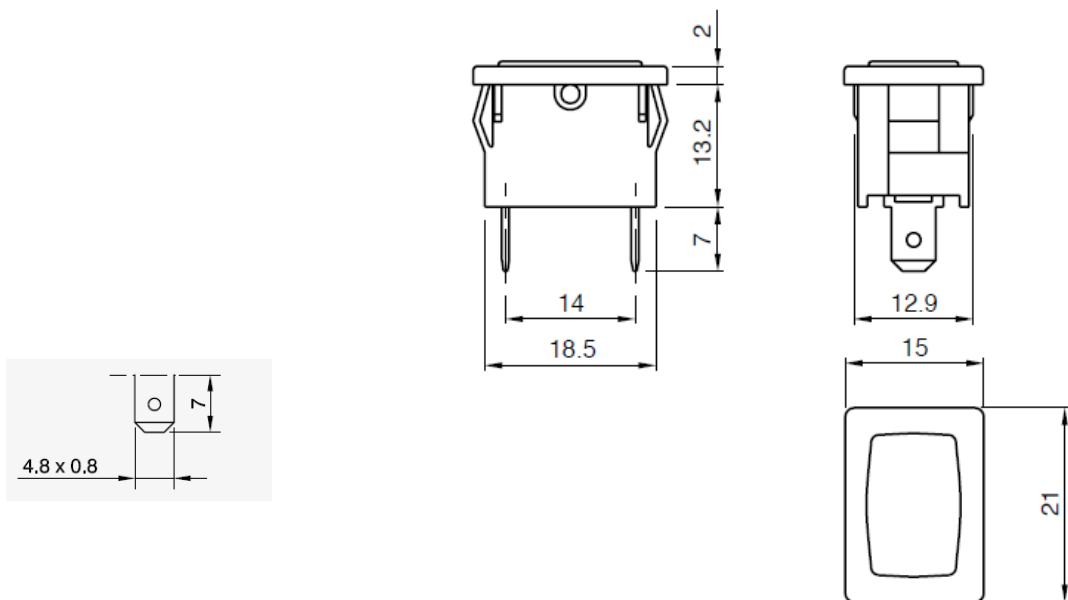
## Protection Category

IP Rating	IP40
-----------	------

## Classification

Compliance/Certifications	UL, CE, UKCA
---------------------------	--------------

## CONSTRUCTIONAL DIAGRAM



Z	Y		X	
0,7 ... 1,25	13,0	±0,1	19,0	+0,2 0
1,25 ... 2,0	13,0	±0,1	19,3	+0,2 0
2,0 ... 3,0	13,0	±0,1	19,6	+0,2 0