

FEATURES

- Two way shut-off valves for automatic control of air, inert gas, water, light oil and other gases/liquids compatible with the sealing materials used
- Valves do not require a minimum operating pressure

GENERAL

Differential pressure	0 - 9 bar [1 bar =100 kPa]
Maximum allowable pressure	18 bar
Maximum viscosity	65 cSt (mm ² /s)
Response times	15 - 120 ms

fluids	temperature range	sealings
water, air, neutral gas, light oil	-20 to +85°C	NBR (nitrile / buna-n)

CONSTRUCTION

	Brass body	Stainless steel body
Body	Brass	AISI 303 SS
Core tube	Stainless steel	Stainless steel
Core and plugnut	Stainless steel	Stainless steel
Springs	Stainless steel	Stainless steel
Seat	Brass	Stainless steel
Sealing, diaphragm & disc	NBR	NBR
Disc holder	PA (nylon)	PA (nylon)
Shading coil	Copper	Silver
Coil insulation class	F	F
Connector	Spade plug (Pg 11P)	Spade plug (Pg 11P)
Connector specification	ISO 4400	ISO 4400
Electrical safety	IEC 335	IEC 335

ELECTRICAL CHARACTERISTICS

Standard voltages DC (=): 24V
(Other voltages and 60 Hz on request) AC (~): 24V - 115V - 230V / 50 Hz

coil type	power ratings				ambient temperature ranges (°C)	protection
	inrush ~ (VA)	holding ~ (W)		hot/cold = (W)		
		(VA)	(W)			
CMXX-FT	55	23,0	10,5	9 / 11,2	-20 to +75	moulded IP65
CM12-FB	240	43,0	20,0	-	-20 to +50	moulded IP65

SPECIFICATIONS

pipe size	orifice size (mm)	flow coefficient Kv (m ³ /h) (l/min)		operating pressure differential (bar)						coil type		catalogue number	OPTIONAL					
				min.	maximum			min.	max.				min.	max.	FPM	EPDM	CR	PTFE
					air/gas	water	oil < 65cSt											
Rp Brass body, NBR sealings and discs																		
3/8	16	2,6	43	0	9	9	9	9	9	5	CMXX-FT	CMXX-FT	SC E210C033	V	E	J		
1/2	16	3,4	57	0	9	9	9	9	9	5	CMXX-FT	CMXX-FT	SC E210C034	V	E	J		
3/4	19	4,7	79	0	9	9	9	9	9	5	CMXX-FT	CMXX-FT	SC E210C035	V	E	J		
1	25	11,1	185	0	9	-	9	-	9	-	CM12-FB	-	SC E210B057 (1)	V	E	J		
1 1/4	28	12,8	213	0	9	-	9	-	9	-	CM12-FB	-	SC E210B058 (1)	V	E	J		
1 1/2	32	19,3	322	0	9	-	9	-	9	-	CM12-FB	-	SC E210B059 (1)	V	E	J		
NPT Stainless steel body, NBR sealings and discs																		
1/2	16	2,6	43	0	9	9	9	9	7	5	CMXX-FT	CMXX-FT	SC B210B030	V	E	J		
3/4	16	2,6	43	0	9	9	9	9	5	5	CMXX-FT	CMXX-FT	SC B210B038	V	E	J		

(1) Mounting position: piping horizontal, solenoid upright

The codes in the grey shaded areas correspond to commonly used products which can be supplied rapidly

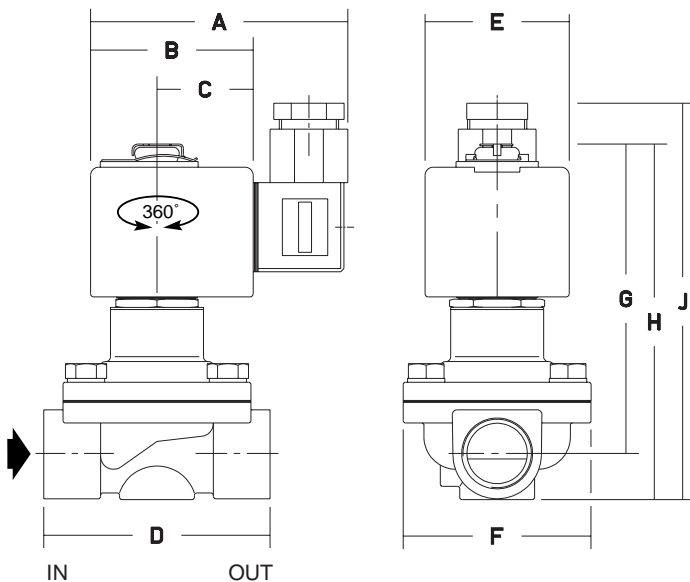
OPTIONS

- Valves can also be supplied with FPM (fluorelastomer / viton), EPDM (ethylene-propylene) and CR (chloroprene / neoprene) diaphragms, sealings and discs. Use the appropriate suffix letter for identification
- Waterproof enclosure with embedded screw terminal coiland Pg 13,5 cable gland to meet CEE 10 (IP67)
- Explosionproof enclosures for hazardous locations according to “**CENELEC**” and national standards (see section 10)
- Explosionproof and watertight enclosures according to “**NEMA**” standards (see section 10)
- Compliance with “**UL**” and “**CSA**” standards
- Mounting brackets except for SC E210B057/B058/B059
- Plug with visual indication and with peak voltage suppression or with cable length of 2m (see section 11)

INSTALLATION

- The valves can be mounted in any position without affecting operation, unless indicated otherwise in the specifications table
- Pipe connection identifiers are: B = NPT (ANSI 1.20.3); E = Rp (ISO 7/1)
- The third digit in the catalogue number indicates the standard pipe connection
- Other pipe connections are available on request
- Installation/maintenance instructions are included with each valve
- Spare Parts Kit and replacement coils are available (see section 11)

DIMENSIONS (mm), WEIGHT (kg)



catalogue number SC E210	A	B	C	D	E	F	G	H	J	weight (1)
C033 - C034	80	50	30	70	45	58	98	112	127	0,9
C035	80	50	30	70	45	58	102	117	132	1,0
B057	86	56	33	95	50	83	155	175	175	2,0
B058	86	56	33	95	50	83	161	187	187	2,0
B059	86	56	33	111	50	99	167	194	194	2,5
B030 - B038	80	50	30	70	45	61	100	118	133	1,0

(1) incl. coil and connector