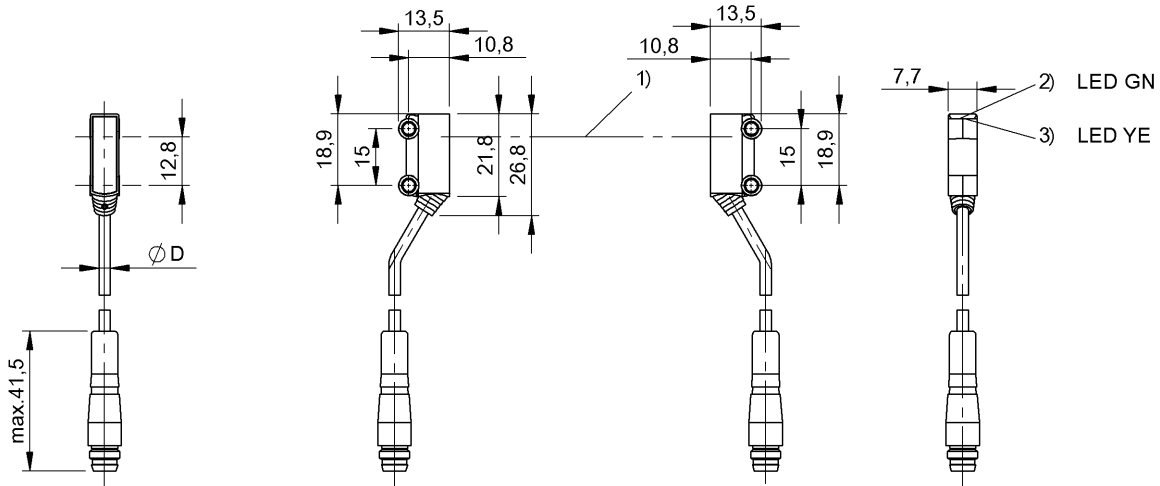


**BOS R020K-PS-RX11-00,2-S49**  
**Order code: BOS0214**

Photoelectric sensor  
 Series R020K  
 Through-beam  
 Sn = 2 m

DC, direct current  
 PNP (1x)  
 NO  
 800 Hz  
 LED, red light

**BALLUFF**  
 sensors worldwide



1) Optical axis 2) Power 3) Light reception

**Basic data**

Operating voltage UB DC	10.0 V... 30.0 V
Eff. operating voltage Ue DC	24.0 V
Ripple max. (% of Ue)	10 %
No-load current max. I <sub>o</sub> at Ue	15 mA
	20 mA
Polarity reversal protected	yes
Indicator	Power - LED GN Light receipt - LED YE
Ambient temperature T <sub>a</sub>	-25 °C... 55 °C

**Optical data**

Principle of optical operation	Through-beam
Operating range R <sub>o</sub>	0...2 m
Light type	LED, red light
Wavelength	660 nm
Light spot size, typical	Ø23 mm at 500 mm
Ambient light max.	5,000 Lux

**Electrical data**

Eff. operating distance S <sub>r</sub>	2,000 mm
Switching output	PNP (1x)
Switching function	NO

Switching function, optical  
 Eff. operating current I<sub>e</sub>  
 Switching freq. f max. (at U<sub>e</sub>)  
 Turn on time t<sub>on</sub> max.  
 Turn off time t<sub>off</sub> max.  
 Voltage drop U<sub>d</sub> max. (at I<sub>e</sub>)  
 Short circuit protected

NO: dark-on  
 100 mA  
 800 Hz  
 0.63 ms  
 0.63 ms  
 2.0 V  
 yes

**Mechanical data**

Style  
 Dimensions  
 Mounting type  
 Housing material  
 Werkstoff aktive Fläche  
 Degree of protec. per IEC60529  
 Connection type  
 Cable length  
 Cable jacket material  
 Connector type

Block, 60° connection  
 7.7 mm x 13.5 mm x 26.8 mm  
 Screw M3  
 PC, PBT  
 PMMA  
 IP67  
 Cable with connector  
 0.20 m  
 PVC  
 M12x1-S04

**Approval**

Approvals / Conformity

CE  
 cULus

000000000000/243251/0000000000

[www.balluff.com](http://www.balluff.com)

Balluff Germany: +49 7158 173-0, +49 7158 173-370  
 Balluff USA: +1-800-543-8390  
 Balluff China: +86 21 5089 9970

1 (2)  
 Print Date: 14.08.2015  
 Selection date: 14.08.2015

**BOS R020K-PS-RX11-00,2-S49**  
**Order code: BOS0214**

Photoelectric sensor  
Series R020K  
Through-beam  
Sn = 2 m

DC, direct current  
PNP (1x)  
NO  
800 Hz  
LED, red light

**BALLUFF**  
*sensors worldwide*

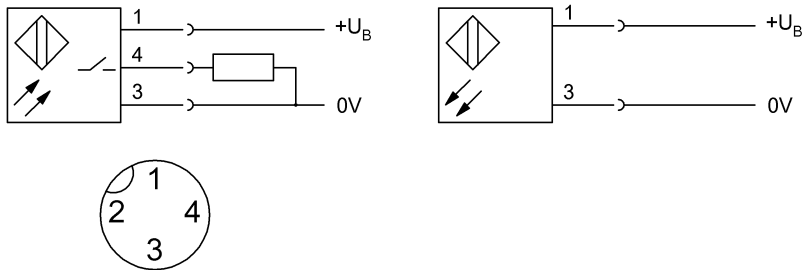
**Remarks**

Basic standard IEC 60947-5-2  
Operating object (test target): Gray card, 200 x 200, lateral approach  
For additional information, refer to user's guide.  
Order accessories separately.



Definitions see general catalog

Subject to change without notice.



000000000000243251/00000000