

MATERIALS AND FINISHES

BODY: BRASS
PLATED TRI-M

CONTACT: BRASS
PLATED SILVER

INSULATOR: TEFLON

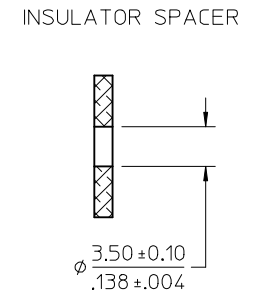
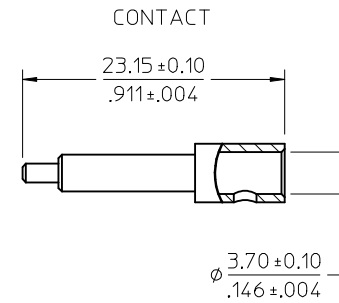
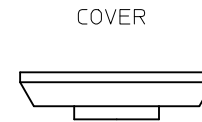
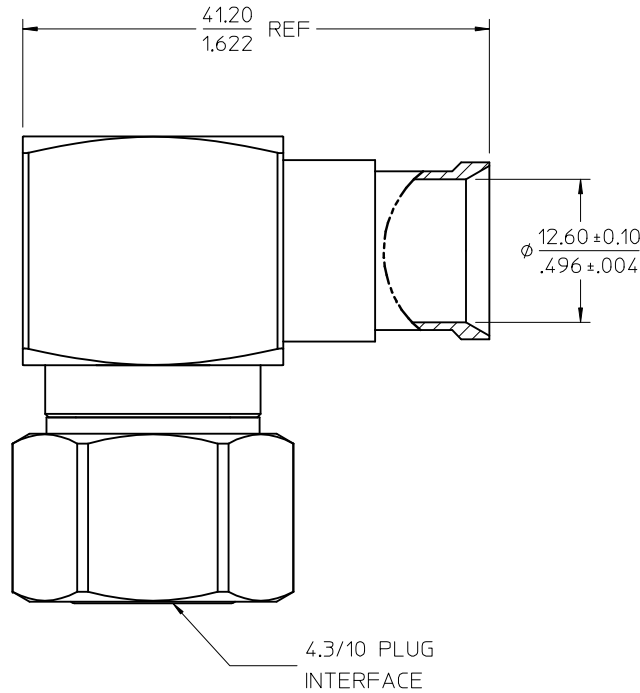
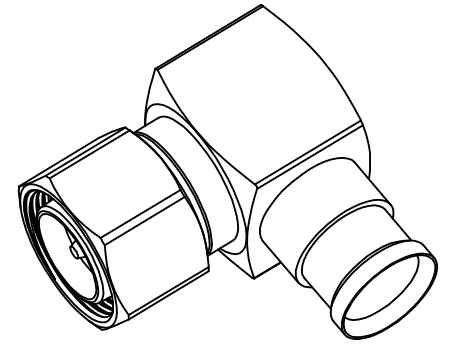
COUPLING NUT: BRASS
PLATED NICKEL

O-RING: SILICONE RUBBER

NOTE: CONNECTORS SHIPPED
WITH POLYETHYLENE
DUST CAP

PERFORMANCE REQUIREMENTS:

FREQUENCY RANGE: 0-6GHz
IMPEDANCE: 50 OHM
WITHSTAND VOLTAGE(AC): 1500V @0.5mA
VSWR: ≤1.10(0-3GHz)
PIM3(2x20W): ≤-160dBc@1800MHz
WATER-PROOF: IP68 WHEN MATED

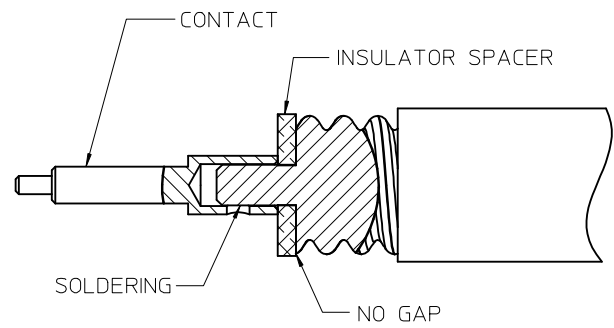


73162-6161	ONE PIECE PER CARTON
73162-6160	BLANK
PART NO.	PACKAGING

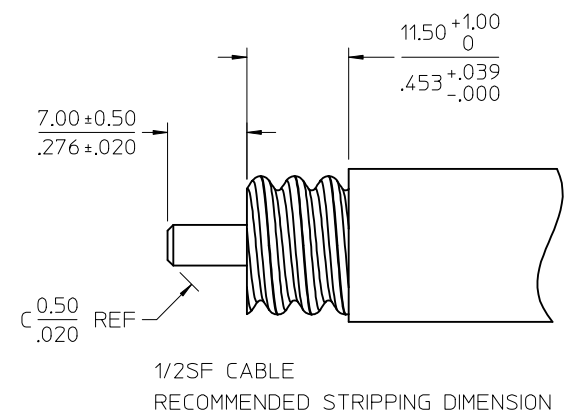
IEC61169-54	INTERFACE
SPECIFICATION	DESCRIPTION

CHG: ADD PACKAG, ADD DUST CAP, PN:73162 WAS 73134	EC NO: URF2016-0691 DRWN:YHUANG11 2016/04/15 CHKD: APPR:MYE08 2016/04/20	DESCRIPTION	QUALITY SYMBOLS	GENERAL TOLERANCES (UNLESS SPECIFIED)		DIMENSION STYLE		SCALE	DESIGN UNITS	THIRD ANGLE PROJECTION		
				mm	INCH	MM/IN	METRIC	☉				
A1	REV	DESCRIPTION	QUALITY SYMBOLS	4 PLACES	± ---	± ---	DRAWN BY	DATE	TITLE	DOCUMENT NO.	SHEET NO.	
				3 PLACES	± ---	± ---	YHUANG11	2015/12/04				4.3-10 PLUG R/A,50 OHM FOR 1/2SF CA, SOLDERING 4.3-10-R/A-PS
				2 PLACES	± ---	± ---	CHECKED BY	DATE				
				1 PLACE	± ---	± ---	MXU11	2015/12/04				
0 PLACE	± ---	± ---	APPROVED BY	DATE								
				ANGULAR ± 2 °		MATERIAL NO.		SD-73162-616		1 OF 2		
DRAFT WHERE APPLICABLE MUST REMAIN WITHIN DIMENSIONS				SEE TABLE		THIS DRAWING CONTAINS INFORMATION THAT IS PROPRIETARY TO MOLEX INCORPORATED AND SHOULD NOT BE USED WITHOUT WRITTEN PERMISSION						

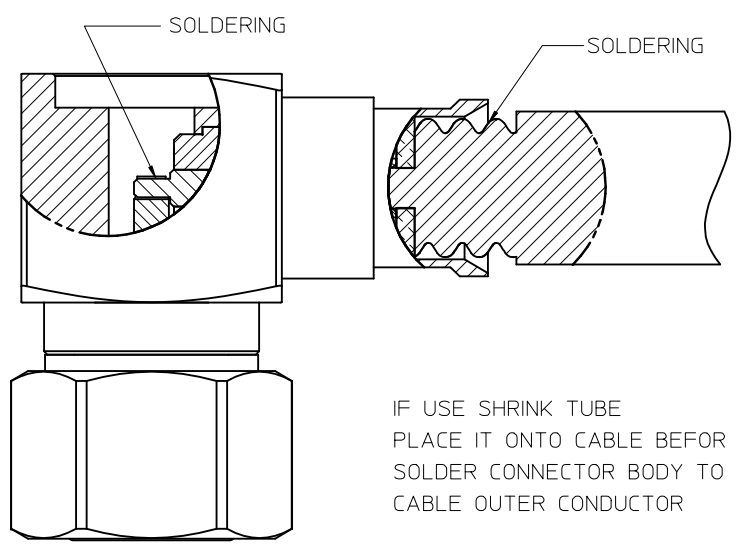
STEP 2



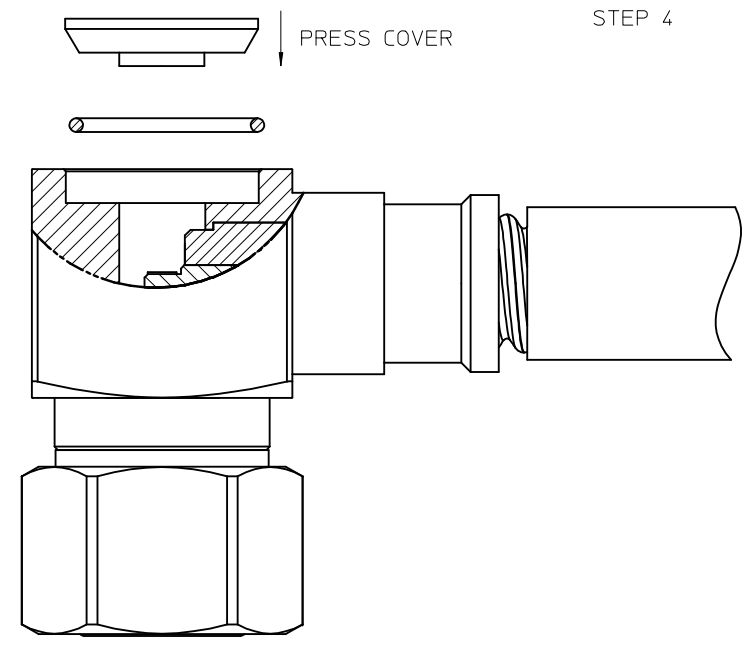
STEP 1



STEP 3



STEP 4



CHG: SEE SHEET 1 EC NO: URF2016-0691 DRAWN: YHUANG11 2016/04/15 CHKD: APPR: MYE08 2016/04/20	QUALITY SYMBOLS ▽=0 ▽=0 ▽=0	GENERAL TOLERANCES (UNLESS SPECIFIED)		DIMENSION STYLE MM/IN		SCALE	DESIGN UNITS METRIC	THIRD ANGLE PROJECTION
		mm	INCH	DRAWN BY YHUANG11	DATE 2015/12/04	TITLE 4.3-10 PLUG R/A,50 OHM FOR 1/2SF CA, SOLDERING 4.3-10-R/A-PS		
A1	DESCRIPTION REV	4 PLACES	± ---	± ---	CHECKED BY MXU11	DATE 2015/12/04	DOCUMENT NO. SD-73162-616	SHEET NO. 2 OF 2
		3 PLACES	± ---	± ---	APPROVED BY MYE08	DATE 2016/02/29		
		ANGULAR ± 2°		MATERIAL NO.				
		DRAFT WHERE APPLICABLE MUST REMAIN WITHIN DIMENSIONS		SIZE C		THIS DRAWING CONTAINS INFORMATION THAT IS PROPRIETARY TO MOLEX INCORPORATED AND SHOULD NOT BE USED WITHOUT WRITTEN PERMISSION		