



### Electrical features

Number of poles	Nr.	4
Rated current ( $\leq 40^{\circ}\text{C}$ )	A	250
Electronic overload trip adjustment range	A	100...250
Electronic short circuit trip adjustment range	A	150...2500
AC rated operation voltage $U_e$	V	690
Rated insulation voltage $U_i$	V	1000
Rated impulse withstand voltage $U_{imp}$	kV	8
Short circuit breaking capacity $I_{cu}$		
	220...240VAC 50/60Hz	kA 100
	380...415VAC 50/60Hz	kA 50
	440...460VAC 50/60Hz	kA 50
	480...500VAC 50/60Hz	kA 42
	525VAC 50/60Hz	kA 22
	660...690VAC 50/60Hz	kA 10
Short circuit breaking capacity $I_{cs}$		
	220...240VAC 50/60Hz	kA 100
	380...415VAC 50/60Hz	kA 50
	440...460VAC 50/60Hz	kA 50
	480...500VAC 50/60Hz	kA 42
	525VAC 50/60Hz	kA 22
	660...690VAC 50/60Hz	kA 5
Heat dissipation per pole (max)	W	16

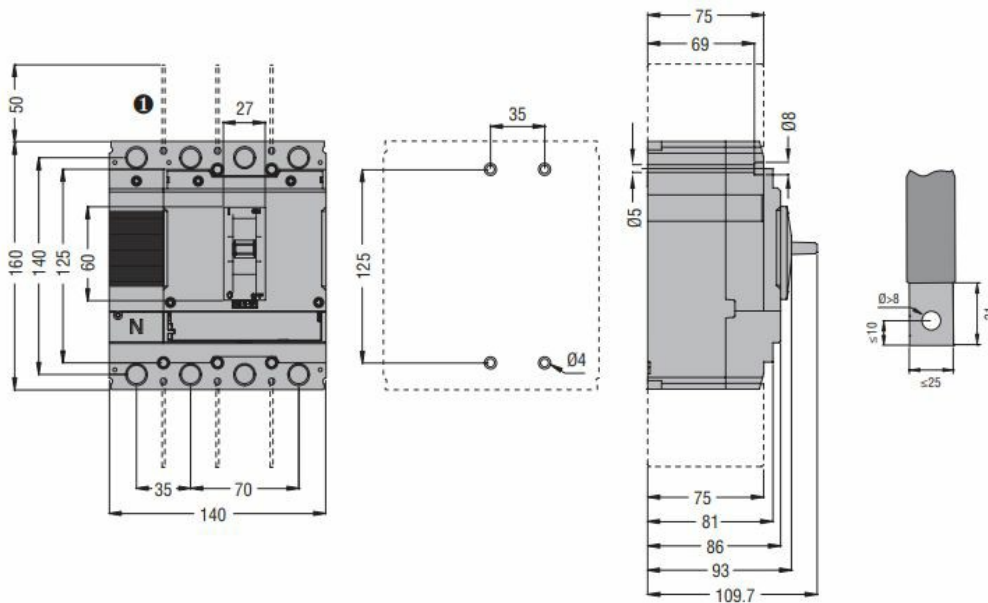
### Mechanical features

Terminals	screw tool	M8 x 20 Metric Allen key 6
Tightening torque for terminals	max max	Nm 14 lbin 125
Mounting position	normal allowable	On vertical plan Any
Fixing		Screw
Weight	g	2600
Mechanical life	cycles	25000
Electrical life	cycles	10000
Dimensions (W x H x D)	mm	140x160x86
Ambient conditions		
Temperature		
Operating temperature	min max	$^{\circ}\text{C}$ -20 $^{\circ}\text{C}$ +70
Storage temperature	min	$^{\circ}\text{C}$ -40

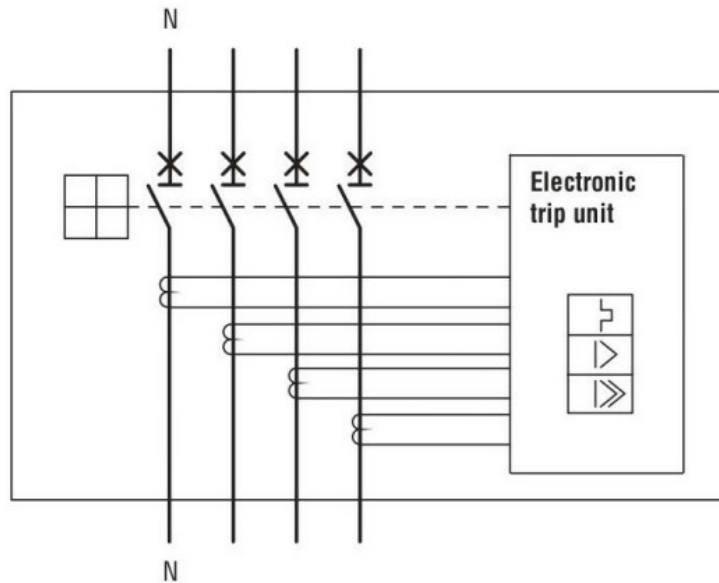
Current derating for temperature >40°C	max °C	+80
	50°C	234
	60°C	220
	70°C	205

Resistance & Protection	
Frontal IP degree	IP20

**Dimensions**



**Wiring diagrams**



ETIM classification

EC000066 - Power contactor, AC switching