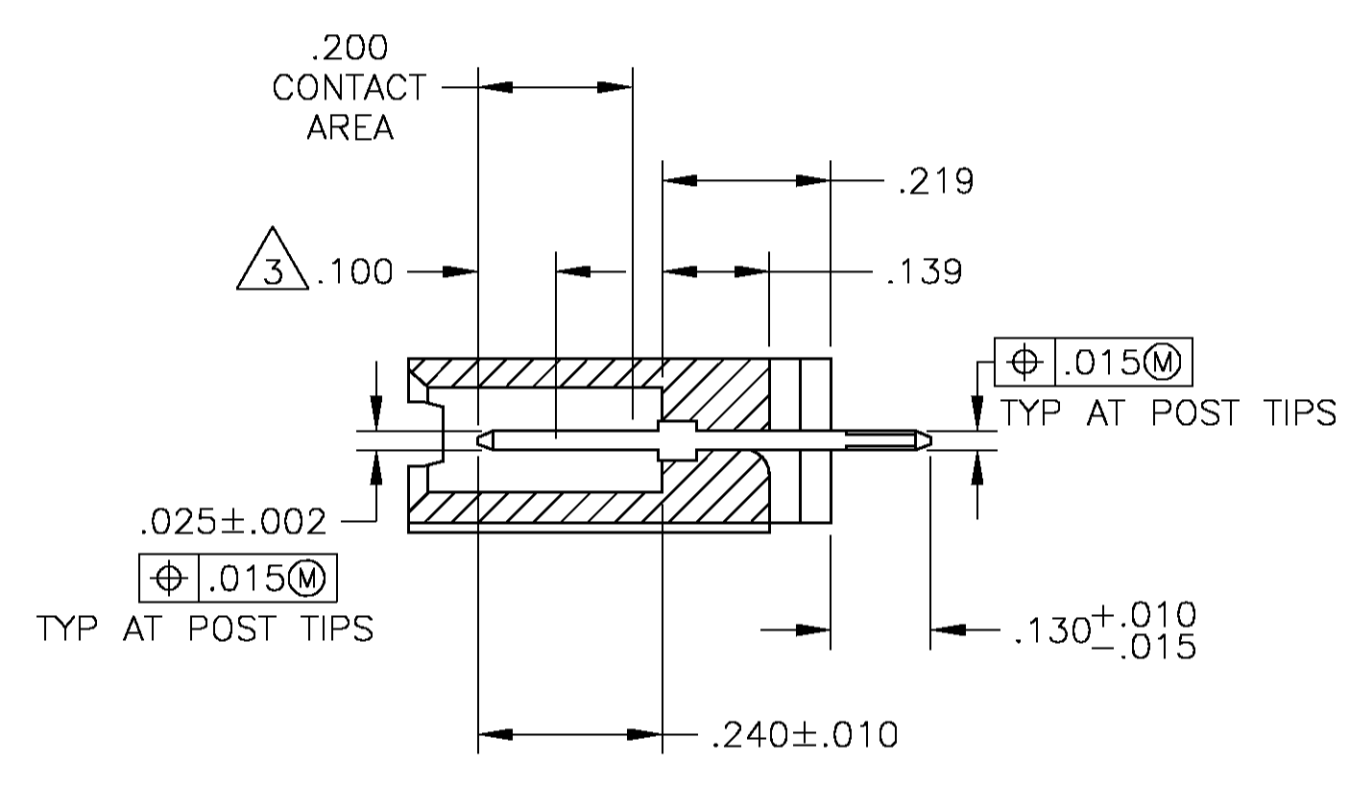
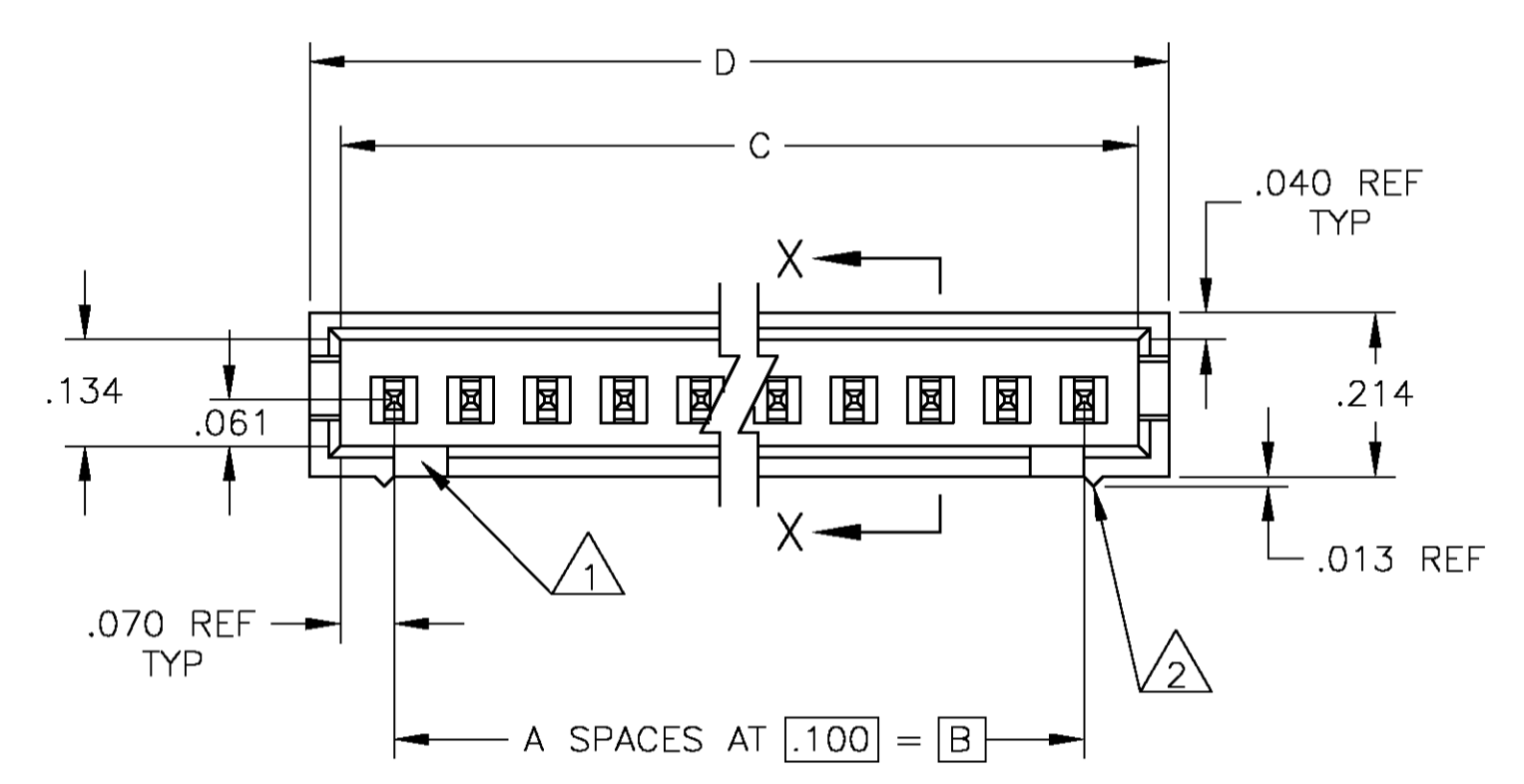
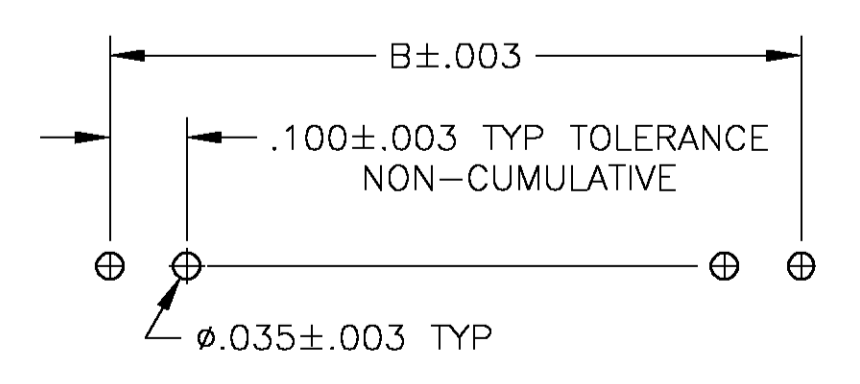
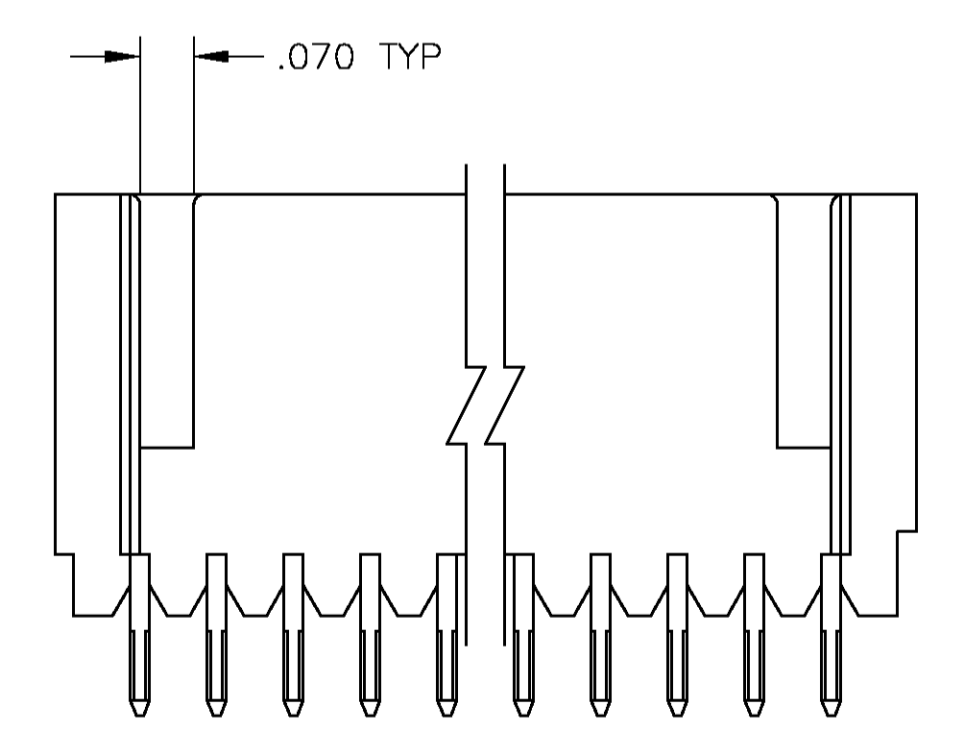


- 1 FOR 3 POSITION ONLY (.215 WIDE).
- 2 STANDOFFS: UP TO 9 POS-(2 REQD) ON THE OUTSIDE ENDS OF THE HOUSING
10 TO 19 POS-(3 REQD) TWO ON THE OUTSIDE ENDS AND ONE CENTERED ON THE HOUSING
19 POS AND LARGER-(4 REQD) TWO ON THE OUTSIDE ENDS AND TWO SPACED EVENLY
WITHIN THE REMAINING LENGTH OF THE HOUSING.
- 3 POINT OF MEASUREMENT FOR PLATING THICKNESS.
- 4 .000030 GOLD ON THE CONTACT AREA, .000100-.000200 MATTE TIN-LEAD
ON THE SOLDER TAIL, ALL OVER .000050 NICKEL.
- 5 OBSOLETE PART NUMBER
- 6 RECESSED DATE CODE
- 7 .000030 GOLD ON THE CONTACT AREA, .000100-.000200 MATTE TIN
ON THE SOLDER TAIL, ALL OVER .000050 NICKEL.
- 8 MATERIAL: HOUSING- FLAME RETARDANT THERMOPLASTIC, COLOR- BLACK.
POSTS- COPPER ALLOY



SECTION X-X



RECOMMENDED HOLE LAYOUT

PLATING	D	C	B	A	NO OF POS	ASSEMBLY PART NUMBER	
					24	25	7-103414-3
					23	24	7-103414-2
					22	23	7-103414-1
					21	22	7-103414-0
					20	21	6-103414-9
					19	20	6-103414-8
					18	19	6-103414-7
					17	18	6-103414-6
					16	17	6-103414-5
					15	16	6-103414-4
					14	15	6-103414-3
					13	14	6-103414-2
					12	13	6-103414-1
					11	12	6-103414-0
					10	11	5-103414-9
					9	10	5-103414-8
					8	9	5-103414-7
					7	8	5-103414-6
					6	7	5-103414-5
					5	6	5-103414-4
					4	5	5-103414-3
					3	4	5-103414-2
					2	3	5-103414-1
OBSOLETE					35	36	3-103414-4
OBSOLETE					34	35	3-103414-3
OBSOLETE					33	34	3-103414-2
OBSOLETE					32	33	3-103414-1
OBSOLETE					31	32	3-103414-0
OBSOLETE					30	31	2-103414-9
OBSOLETE					29	30	2-103414-8
OBSOLETE					28	29	2-103414-7
OBSOLETE					27	28	2-103414-6
OBSOLETE					26	27	2-103414-5
OBSOLETE					25	26	2-103414-4
					24	25	2-103414-3
					23	24	2-103414-2
					22	23	2-103414-1
					21	22	2-103414-0
					20	21	1-103414-9
					19	20	1-103414-8
					18	19	1-103414-7
					17	18	1-103414-6
					16	17	1-103414-5
					15	16	1-103414-4
					14	15	1-103414-3
					13	14	1-103414-2
					12	13	1-103414-1
					11	12	1-103414-0
					10	11	103414-9
					9	10	103414-8
					8	9	103414-7
					7	8	103414-6
					6	7	103414-5
					5	6	103414-4
					4	5	103414-3
					3	4	103414-2
					2	3	103414-1

THIS DRAWING IS A CONTROLLED DOCUMENT.

DIMENSIONS: INCHES	TOLERANCES UNLESS OTHERWISE SPECIFIED:	0 PLC ± -	1 PLC ± -	2 PLC ± -	3 PLC ± -	4 PLC ± -	ANGLES ± -	FINISH SEE TABLE
--------------------	--	-----------	-----------	-----------	-----------	-----------	------------	------------------

APPROVED: J. GESFORD	DATE: 28JAN05	BY: R. BROWN	DATE: 28JAN05
APPROVED: J. GESFORD	DATE: 28JAN05	BY: J. GESFORD	DATE: 28JAN05

TYCO Electronics Tyco Electronics Corporation
 Harrisburg, Pa 17105-3608

ASSEMBLY, MOD II, HEADER, SINGLE ROW
 .100 C/L, (4) SIDED SHROUD

SIZE: A1 CAGE CODE: 00779 DRAWING NO: 103414

CUSTOMER DRAWING SCALE: 4:1 SHEET 1 OF 1 REV P