

THIS DRAWING IS UNPUBLISHED.

RELEASED FOR PUBLICATION

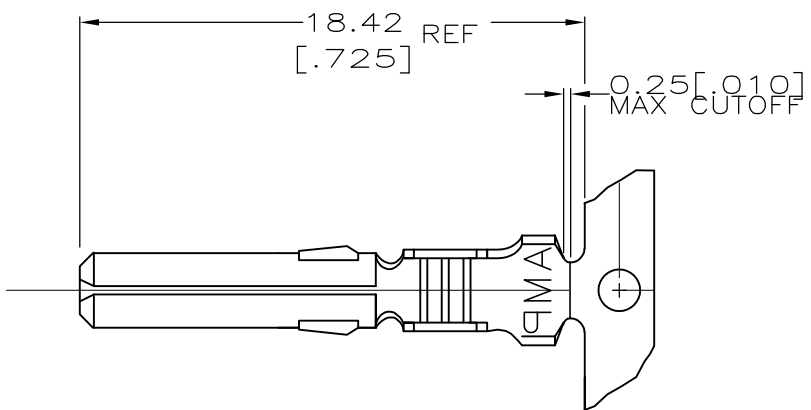
ALL RIGHTS RESERVED.

© COPYRIGHT - By -

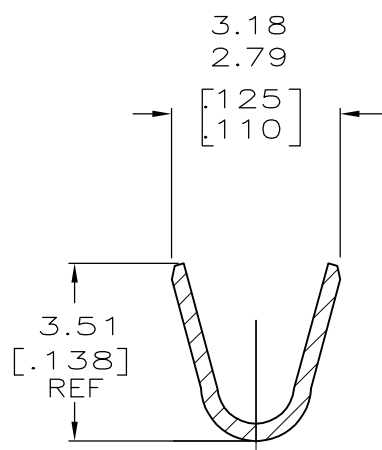
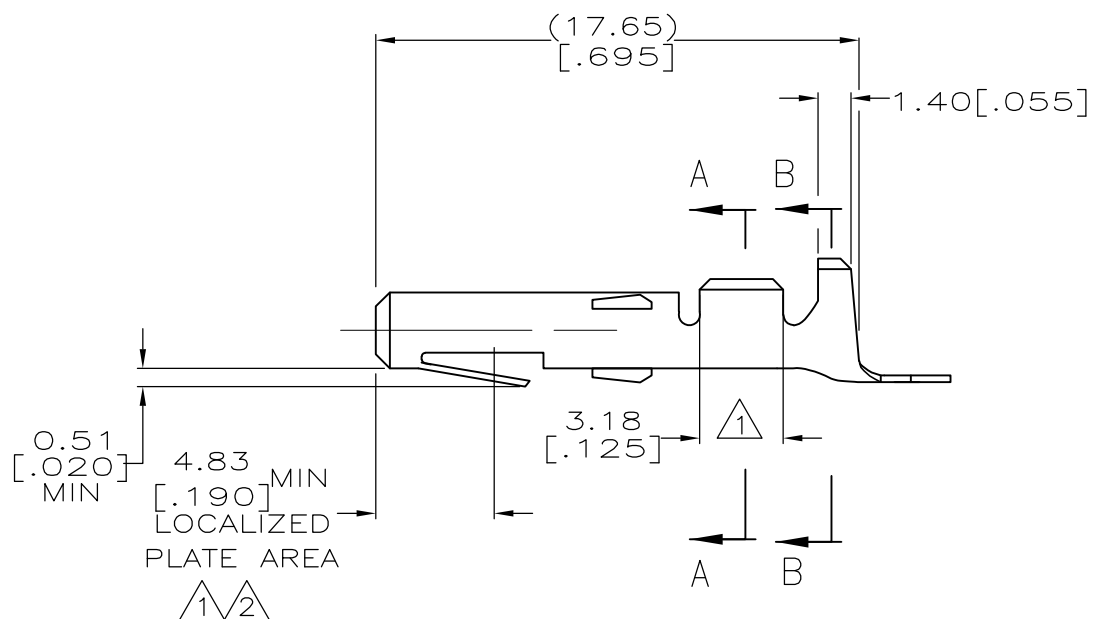
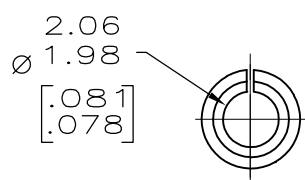
LOC CM DIST 00

REVISIONS

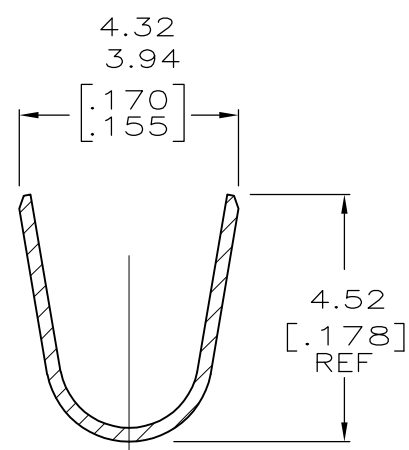
P	LTR	DESCRIPTION	DATE	DWN	APVD
	AC1	REVISED PER ECO-11-004587	11MAR11	RK	HMR



- ① 0.00076[.000030] THK GOLD IN LOCALIZED PLATING AREA AND IN WIRE BARREL; REMAINDER OF CONTACT IS NICKEL PLATED.
- ② 0.00076[.000030] THK GOLD IN LOCALIZED PLATING AREA; REMAINDER OF CONTACT IS NICKEL PLATED.
- 3. DIMENSIONS IN BRACKETS ARE IN INCHES.




SECTION A-A
SCALE 10:1



SECTION B-B
SCALE 10:1

	APPLICATOR TYPE	FINISH	MATERIAL	PART NO
-	MINI	GOLD ②	0.30 [.012] BRASS	61117-7
60619-7	MINI	GOLD ①	0.30 [.012] PH BZ	61117-6
60619-5	MINI	GOLD ①	0.30 [.012] BRASS	61117-5
-	MINI	TIN	0.30 [.012] PH BZ	61117-4
-	MINI	-	0.30 [.012] BRASS	61117-2
60619-1	MINI	TIN	0.30 [.012] BRASS	61117-1

THIS DRAWING IS A CONTROLLED DOCUMENT.

DWN K. WHITAKER 01MAR2005	 TE Connectivity	NAME		
CHK D. COLEY 01MAR2005		SOCKET, COMMERCIAL MATE-N-LOK™		
APVD D. COLEY 01MAR2005		SIZE	CAGE CODE	DRAWING NO
PRODUCT SPEC		A3	00779	C-61117
APPLICATION SPEC	WEIGHT	RESTRICTED TO		
—	—	—		
MATERIAL 20-14 AWG	FINISH 3.30[.130] DIA MAX	CUSTOMER DRAWING	SCALE 5:1 SHEET 1 OF 1 REV AC1	