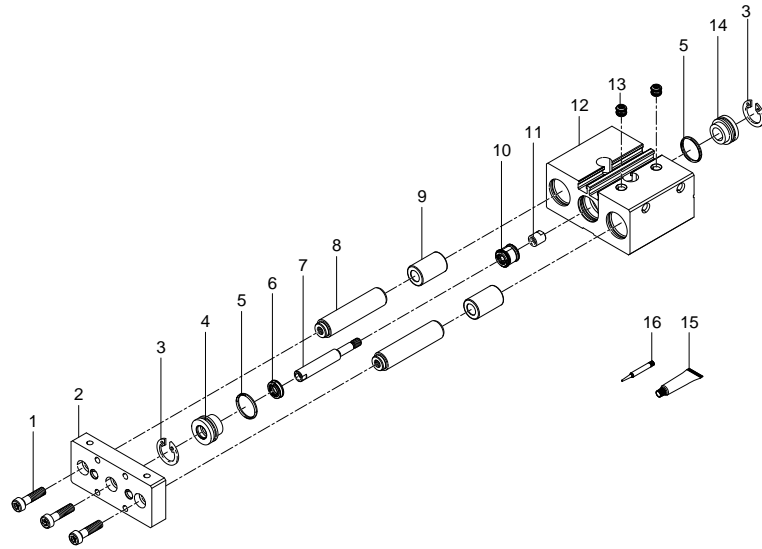


170840 DFM-20-20-P-A-GF Guided drive - Series from 04-2017



170840 DFM-20-20-P-A-GF Guided drive - Series from 04-2017

Pos.	Part no.	Type	Note	Qty.	Unit
A	8047215	DFM-20-PA :FR 04-2015 Set of wearing parts	Spare parts: 3, 5, 6, 10, 15, 16 ▶ Replacing the wearing parts	1	PC
1		ISO 14580-M6X25-8.8 Socket head screw	Not available Tightening torque 8.2 Nm / 6.0 lbf ft	3	PC
2		DFM-20 End plate	Not available	1	PC
3		DIN 472-21X1 Retaining ring	Not available separately, see position A	2	PC
4		DFM-20 Bearing cap	Not available Grease using during assembly. See position 15	1	PC
5		B-18X1,5-N-NBR70 O-ring ISO3601	Not available separately, see position A Grease using during assembly. See position 15	1	PC
6		WIFC1-10X14X3,7-TPE-U Wiper seal	Not available separately, see position A Grease using during assembly. See position 15	1	PC
7		IRA-10-S0039,8-B Piston rod	Not available	1	PC
8		DFM-20-20-GF Guide rod	Not available	2	PC
9		SINT-B50 14,01X19X20 Cylinder bearing	Not available	2	PC
10		BA-K10D-020-A Complete piston	Not available separately, see position A Grease using during assembly. See position 15	1	PC
11	709441	DSNU-20 Nut	Tightening torque 2.7 Nm / 2.0 lbf ft Use locking compound. See position 16	1	PC
12		DFM-20-20 Housing	Not available Grease using during assembly. See position 15	1	PC
13	369947	M5X5 Plug screw module		2	PC
14		DFM-20 End cap module	Not available	1	PC
15	684474	LUB-KC1 SILIKONFREI 20ML Lubricating grease		1	PC
16	8181256	CYBERBOND TM44 TB1ML Adhesive bonding agent		1	PC